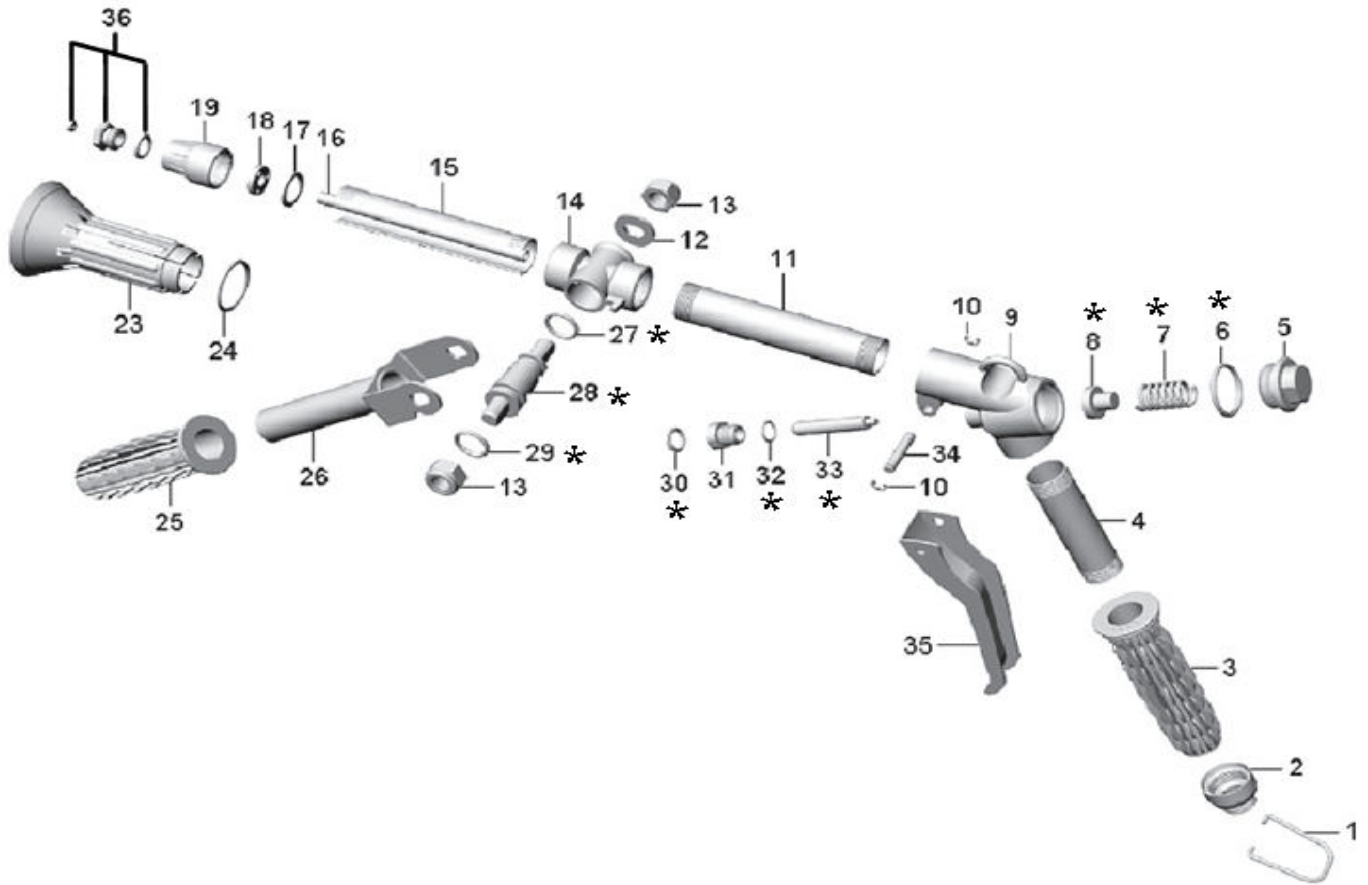


SPRAY GUN WITH DOUBLE ADJUSTMENT



POS.	CODICE PART NO. REF.	DENOMINAZIONE - DESCRIPTION	Q.TY	POS.	CODICE PART NO. REF.	DENOMINAZIONE - DESCRIPTION	Q.TY
1	846720002	LEVER LOCK RING	1	18	846732002	CONVEYOR Ø20	1
2	846721002	HANDLE FITTING 1/2"	1	19	846733002	HEAD M25x1,5	1
3	846722002	HANDLE	1	23	846734002	SPRINKLING GUARD	1
4	846742002	TUBE D24X1 L120	1	24	801242102	STOP RING	1
5	846723002	VALVE PLUG	1	25	846735002	BLIND HAND	1
6	803204002	OR 2,62x23,81 NBR	1	26	846736002	FORK	1
7	846724002	VALVE SPRING	1	27	803178002	OR 2,62X13,1	1
8	846725002	VALVE	1	28	846737002	SHUTTING CONE	1
9	846726002	BODY	1	29	803181202	ANELLO OR 2.62X15.88	1
10	801009002	SEEGER RS4	2	30	803171002	ANELLO OR 2,62X9,13	1
11	846727002	TUBE D24X1 L220	1	31	846738002	NUT	1
12	843844602	WASHER D12/25X2,5	1	32	803056002	ANELLO OR 1,78X8,73	1
13	814706102	SELF LOCKING NUT M12	2	33	846739002	PISTON	1
14	846728002	BODY	1	34	846740002	PIN	1
15	846729002	TUBE D24X1 L180	1	35	846741002	HANDLE	1
16	846730002	TUBE D.8X1 L=192	1	36	846669502	CERAMIC BUSH Ø2,5	1
17	846731002	WASHER 18x23x2	1	*	846744002	SPARE PARTS KIT	