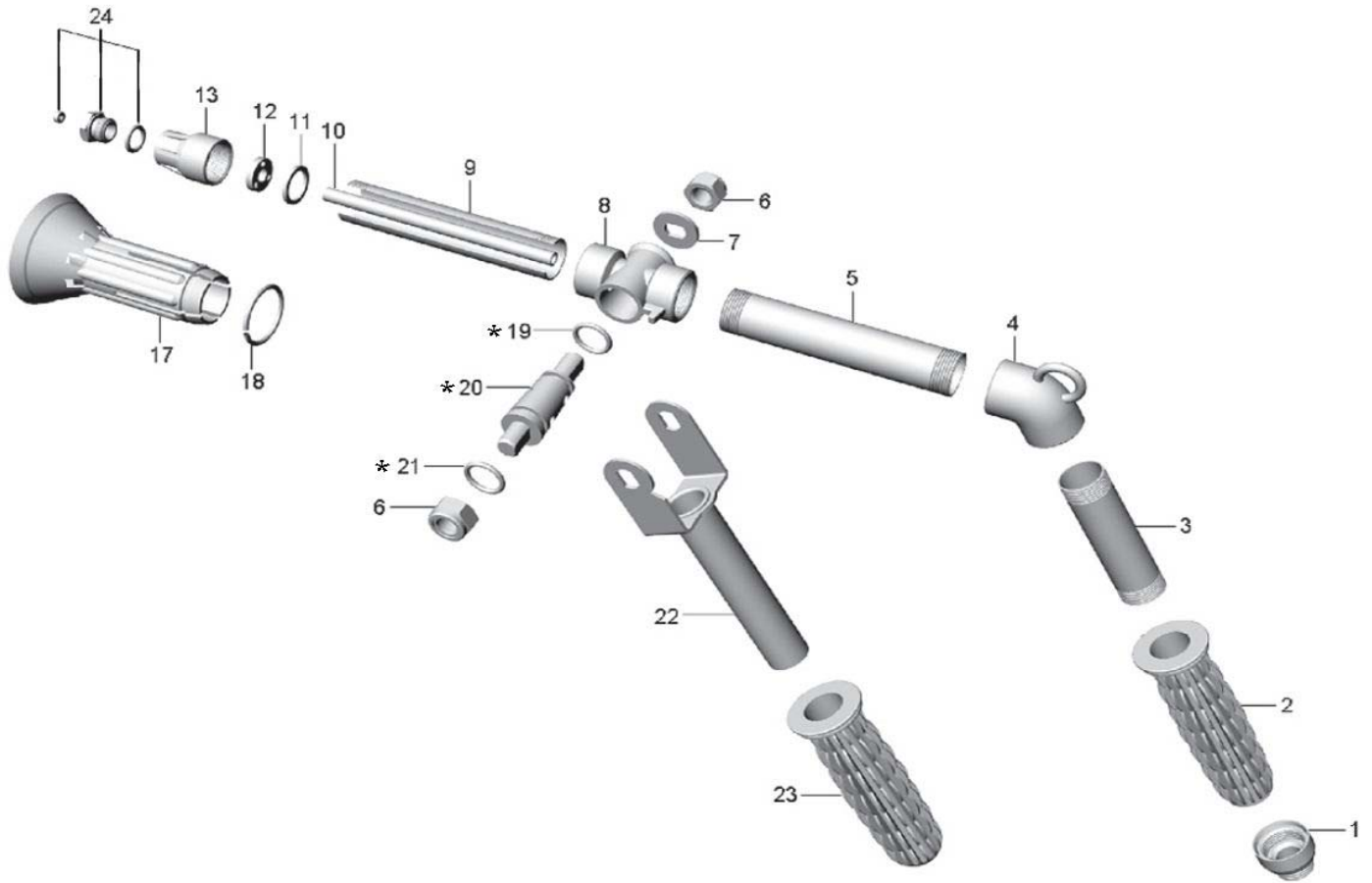


SPRAY GUN WITH ONE ADJUSTMENT POSSIBILITY



| POS. | CODICE PART NO. REF. | DENOMINAZIONE - DESCRIPTION | Q.TY | POS. | CODICE PART NO. REF. | DENOMINAZIONE - DESCRIPTION | Q.TY |
|------|----------------------------|-----------------------------|------|------|----------------------------|-----------------------------|------|
| 1 | 846721102 | HANDLE FITTING 1/2" | 1 | 12 | 846732002 | CONVEYOR Ø20 | 1 |
| 2 | 846722002 | HANDLE | 1 | 13 | 846733002 | HEAD M25x1,5 | 1 |
| 3 | 846742002 | TUBO D24X1 L120 | 1 | 17 | 846734002 | SPRINKLING GUARD | 1 |
| 4 | 846726102 | BODY | 1 | 18 | 801242102 | STOP RING | 1 |
| 5 | 846727002 | TUBE D24X1 L220 | 1 | 19 | 803178002 | OR 2,62X13,1 | 1 |
| 6 | 814706102 | SELF LOCKING NUT M12 | 2 | 20 | 846737002 | SHUTTING CONE | 1 |
| 7 | 843844602 | WASHER D12/25X2,5 | 1 | 21 | 803181202 | OR 2.62X15.88 | 1 |
| 8 | 846728002 | BODY | 1 | 22 | 846736002 | FORK | 1 |
| 9 | 846729002 | TUBE D24X1 L180 | 1 | 23 | 846735002 | HANDLE | 1 |
| 10 | 846730002 | TUBE D.8X1 L=192 | 1 | 24 | 846669502 | CERAMIC BUSH Ø2,5 | 1 |
| 11 | 846731002 | WASHER 18x23x2 | 1 | * | 846743002 | SPARE PARTS KIT | |