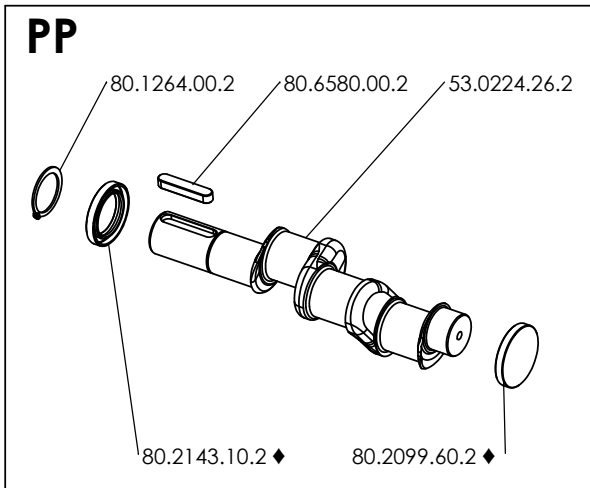
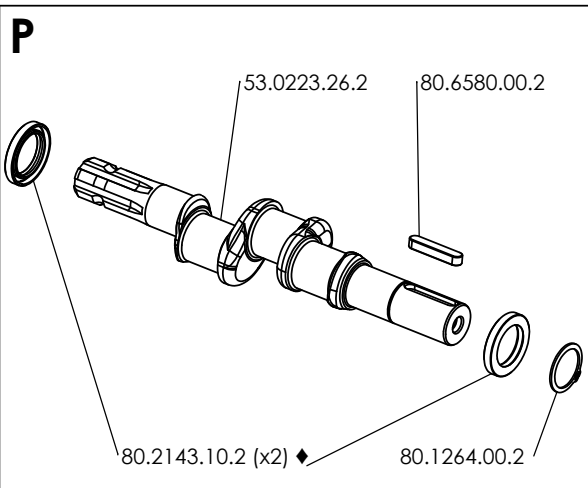


Tolleranza di serraggio / tolerance on torque value
General: 0 /-20% (*) : 0/-10%



OPTIONAL
31.1468.32.2

(x4)
86.3212.00.2

SAFETY VALVE
24.3050.97.3 (50 bar)

	KIT 108	KIT 109	KIT 110	KIT 111	KIT 352
DENOMINAZIONE- DESCRIPTION	VALVOLE A/M + OR CHECK VALVES + O-RING	GUARNIZIONI PACKINGS	GUARNIZIONI+LANTERNE PACKINGS+GLANDS	ANELLI RADIALI GUIDE PLANGER RODS SEALS	TENUTE OLIO OIL SEALS
CODICE - CODE	53.9812.97.3	53.9810.97.3	53.9816.97.3	53.9817.97.3	53.9837.97.3
COMPONENTI COMPONENTS	■	▲	●	▼	◆
N° PEZZI-N°PCS	12	18	24	3	19

OLIO - OIL	OLIO MOTORE O SEMIIDRAULICO SAE 30 MOTOR OIL OR SEMI-HYDRAULIC OIL
------------	---