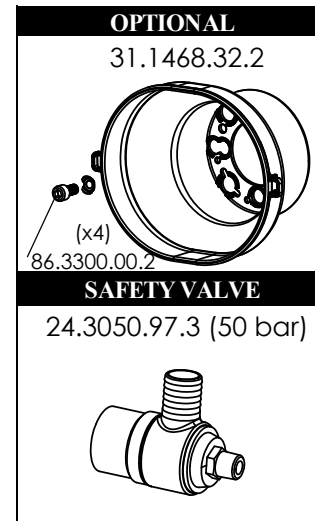
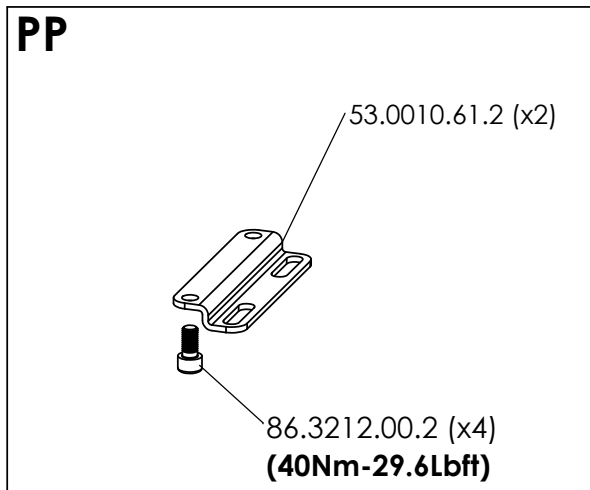
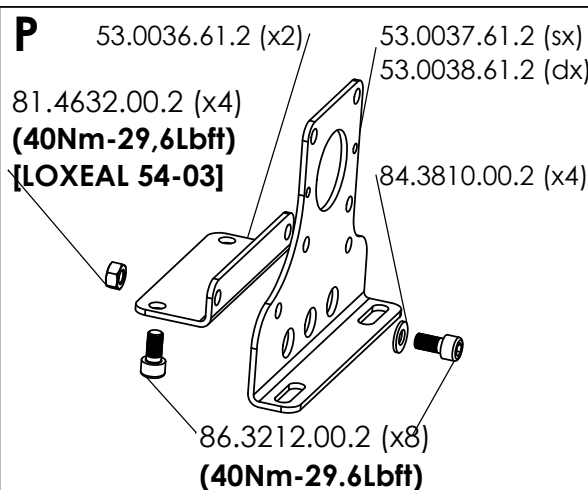
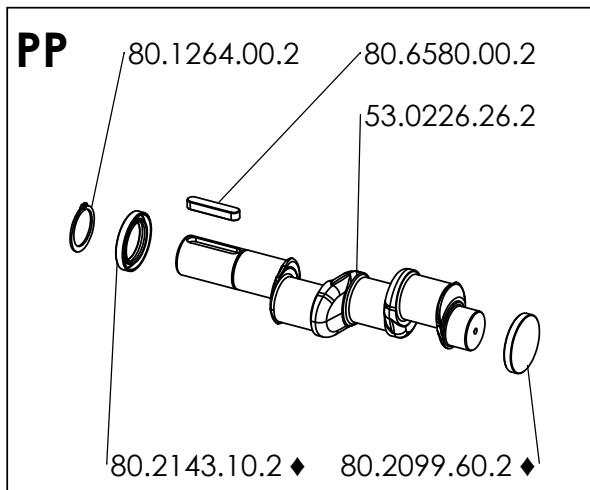
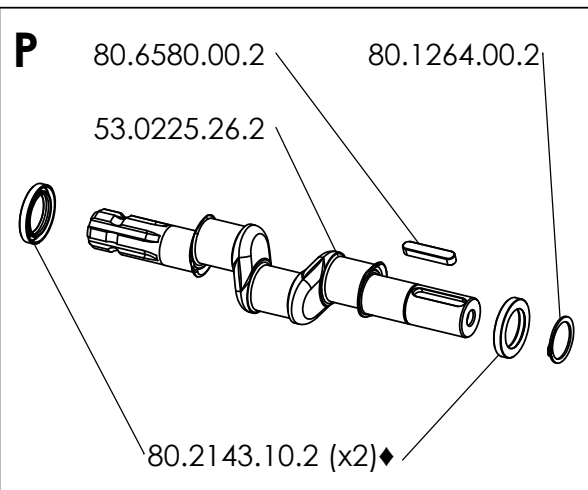


Tolleranza di serraggio / tolerance on torque value  
 General: 0 /-20% (\*) : 0/-10%



	<b>KIT 111</b>	<b>KIT 182</b>	<b>KIT 183</b>	<b>KIT 184</b>	<b>KIT 353</b>
<b>DENOMINAZIONE - DESCRIPTION</b>	ANELLI RADIALI GUIDE PLANGER RODS SEALS	VALVOLE A/M + OR CHECK VALVES + O-RING	GUARNIZIONI+LANTERNE PACKINGS+GLANDS	GUARNIZIONI PACKINGS	TENUTE OLIO OIL SEALS
<b>CODICE - CODE</b>	53.9817.97.3	53.9821.97.3	53.9823.97.3	53.9820.97.3	53.9838.97.3
<b>COMPONENTI COMPONENTS</b>	■	▲	●	▼	◆
<b>N° PEZZI-N°PCS</b>	3	18	24	15	19

OLIO - OIL	OLIO MOTORE O SEMIIDRAULICO SAE 30 MOTOR OIL OR SEMI-HYDRAULIC OIL
------------	---