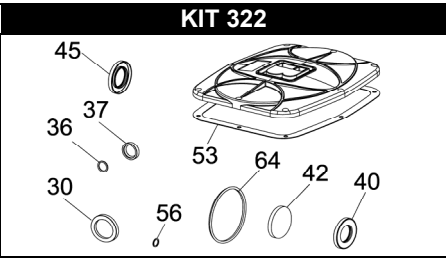
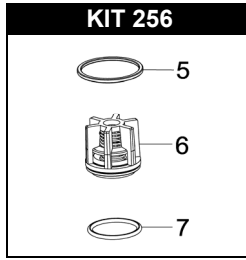
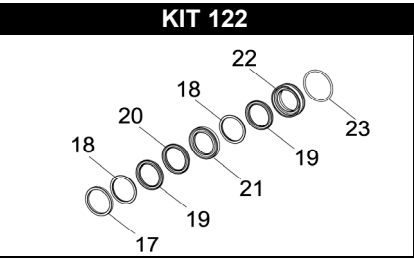
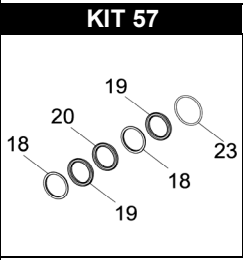
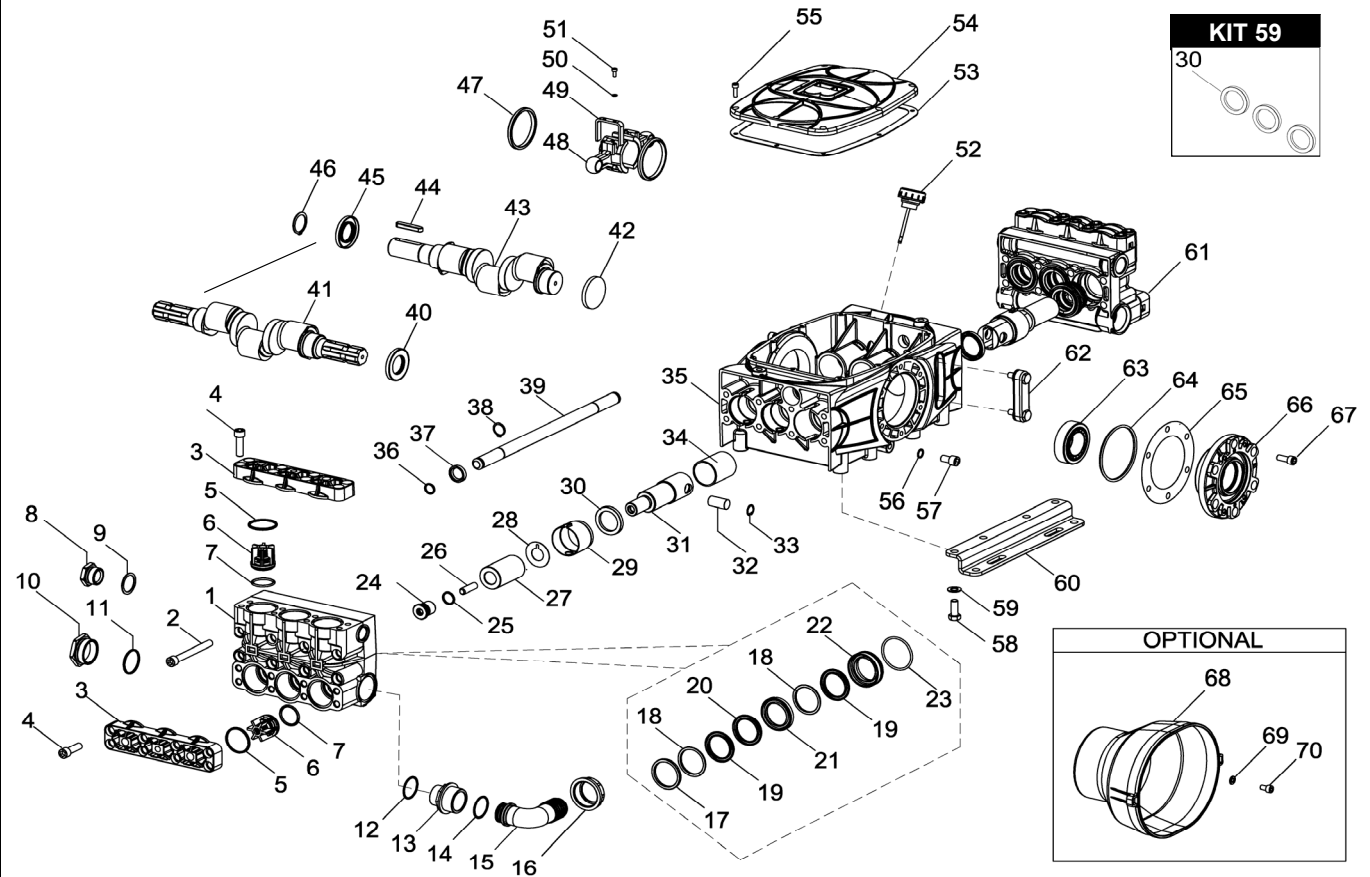


CK 180-230-270 PP

CK 146-170-220-240 P-PP



POS.	CODICE PART NO. RÉF.	DENOMINAZIONE - DESCRIPTION - DESCRIPTION	Q.TY
1	760228092	LEFT PUMP HEAD	1
2	864120002	BOLT M12X110 UNI 5931	16
3	730416092	VALVES COVERS	4
4	863910002	BOLT M12X40 UNI 5931	32
5-kit 256	803270002	O-RING DIA.3,53X49,02	12
6-kit 256	739824973	VALVE ASSY	12
7-kit 256	803253002	O-RING DIA.3,53X49,02	12
8	852693532	PLUG G.3/4"	2
9	803218002	O-RING DIA.3X22	2
10	852752002	PLUG G.1" 1/2	2
11	803209602	O-RING DIA.2,62X47,30	2
12	803209602	O-RING DIA.2,62X47,30	2
13	835092502	NIPPLE G.1" 1/2-1" 3/4	2
14	803208502	O-RING DIA.2,62X37,77	2
15	840595002	90° ELBOW CONNECTOR DIA.40	2
16	820095002	WING NUT 1" 3/4	2
17-kit 57-122	730039532	"V" PACKING SPACER	6
18-kit 57-122	730044322	THRUST RING DIA.45	12
19-kit 57-122	802201002	"V" PACKING DIA.45X60	12
20-kit 57-122	730040322	ANTIEXTRUSION RING DIA.45	6
21-kit 122	730058532	FRONT GLAND	6
22-kit 122	730070532	BACK GLAND	6
23-kit 57-122	803283002	O-RING DIA.3,53X58,74	6
24	730342512	PISTON PLUG	6
25	803195502	O-RING DIA.2,62X20,24 VITON	6
26	863900002	BOLT M12X40 UNI 5923 STAINLESS STEEL	6
27	730410182	PISTON DIA.45	6
28	844301002	SPLASH GUARD WASHER	6
29	730528322	OIL SEAL SPACER	6
30-kit 59-322	802180002	OIL SEAL	6
31	730526092	PLUNGER ROD	6
32	852007402	PIN	6
33	800040002	SNAP RING DIA.18	12
34	804470002	BUSHING	6
35	760361082	PUMP CRANKCASE	1
36-kit 322	803217302	O-RING DIA.3X16	4
37-kit 322	802089002	OIL SEAL	2
38	801160002	SNAP RING DIA.22	2
39	760366822	HEADS CONNECTION PIPE	1
40-kit 322	802153002	OIL SEAL (P VERSIONS)	1
41	730361262	CRANCKSHAFT CK 146 P	1

POS.	CODICE PART NO. RÉF.	DENOMINAZIONE - DESCRIPTION - DESCRIPTION	Q.TY
41	730365262	CRANCKSHAFT CK 170 P	1
41	730366262	CRANCKSHAFT CK 220 P	1
41	730367262	CRANCKSHAFT CK 240 P	1
42-kit 322	802102002	RCA CAP (PP VERSIONS)	1
43	730359262	CRANCKSHAFT CK 180 PP	1
43	730360262	CRANCKSHAFT POMPE CK 146 PP-CK 230 PP	1
43	730362262	CRANCKSHAFT CK 270 PP	1
43	730363262	CRANCKSHAFT CK 220 PP	1
44	806585002	TAB 10X8X55 (PP VERSIONS)	1
45	802153002	OIL SEAL	1
46	801264002	SNAP RING DIA.35 (PP VERSIONS)	1
47	760047762	CONNECTING RODS RING	6
48	760010092	CONNECTIONG ROD	6
49	760046612	FORK	6
50	843651502	WASHER	12
51	861930002	BOLT M5X12 UNI 5931	12
52	853541002	OIL FILLING PLUG G.3/4"	1
53-kit 322	760364722	CRANKCASE COVER GASKET	1
54	760363082	CRANKCASE COVER	1
55	862166002	BOLT M6X20 UNI 5931	10
56-kit 322	824079002	COPPER WASHER	1
57	863694502	BOLT M12X20 UNI 5931	1
58	863740002	BOLT M12X30 UNI 5739	8
59	843906002	ELASTIC WASHER UNI 1751	8
60	760365612	MOUNTING BRACKET	2
61	760227092	RIGHT PUMP HEAD	1
62	853507002	OIL SIGHT GLASS	1
63	812940002	CONICAL ROLLER BEARING DIA.45X80X26	2
64-kit 322	803291052	O-RING DIA.3,53X98,02	1
65	730354652	SHIM 0,1 mm	2
65	730355652	SHIM 0,2 mm	2
66	730369082	BEARING COVER	2
67	863265002	BOLT M10X25 UNI 5931	12
68	311482322	PLAIN SAFETY CONE (OPTIONAL)	1
69	843696002	WASHER (OPTIONAL)	2
70	862475002	BOLT M8X14 UNI 5931 (OPTIONAL)	2
REPAIR KIT	ITEM NO.s INCLUDED	PCS.	
kit 256	769853973	SPARE PARTS KIT	
kit 122	769835973	SPARE PARTS KIT	
kit 57	739845973	SPARE PARTS KIT	
kit 59	769812973	SPARE PARTS KIT	
kit 322	769883973	SPARE PARTS KIT	