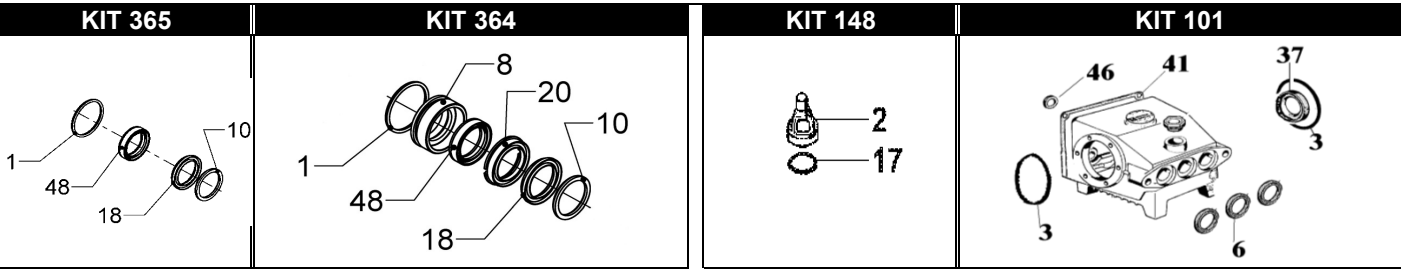
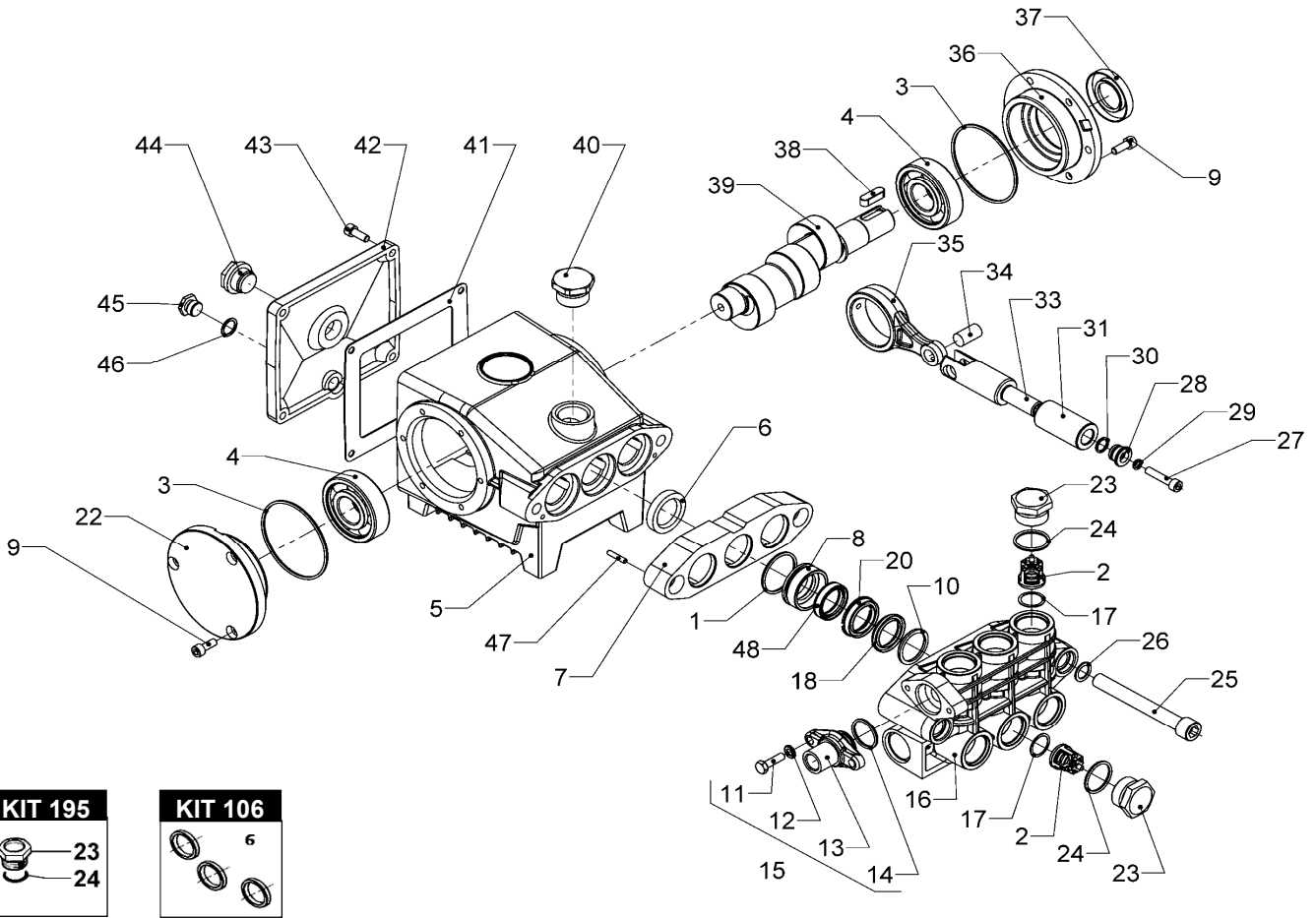


C40.1



POS.	CODICE PART NO. RÉF.	DENOMINAZIONE - DESCRIPTION - DESCRIPTION	Q.TY	POS.	CODICE PART NO. RÉF.	DENOMINAZIONE - DESCRIPTION - DESCRIPTION	Q.TY
1-kit 193-194	803208202	O-RING	3	26	843896002	WASHER DIA.13	2
2-kit 148	089806973	VALVES ASSEMBLY	6	27	862270002	BOLT	3
3-kit 101	803108502	O-RING	2	28	380506532	WHASHER	3
4	812725002	BEARING 25X62X17	2	29	803050002	O-RING DIA.1,78X6,07	3
5	386005092	CRANKCASE	1	30	803058002	O-RING DIA.1,78X10,52	3
6-kit 106-101	802094002	OIL SEAL	3	31	060011182	CERAMIC PISTON	3
7	386497092	SPACER	1	33	380500512	PLUNGER ROD	3
8-kit 194	380515532	GLAND DIA 24 MM	3	34	852006232	PISTON PIN	3
9	862086002	BOLT TCEI M6X14	6	35	380063082	CONNECTING ROD	3
10-kit 193-194	060015322	THRUST RING	3	36	386004092	FLANGE	1
11	862190002	BOLT M6X22	2	37-kit 101	802099002	OIL SEAL	1
12	843585002	WASHER DIA.6,4X12,5X1,6 UNI 6592	2	38	806522002	TAB 8X7X25	1
13	310268282	PIPE FITTING G 1/2	1	39	380457262	CRANKSHAFT HOUSING	1
14	803218002	O-RING DIA.3X22	1	40	852694102	OIL FILLER PLUG	1
15	318878973	FLANGE G.1/2 (OPTIONAL)	1	41-kit 101	380065662	GASKET	1
16	380507092	PUMP HEAD	1	42	386003092	CRANKCASE COVER	1
17-kit 148	803069002	O-RING DIA.1,78X18,77	6	43	862131002	BOLT TCEI M6X18	4
18-kit 193-194	802091502	"V" RING	3	44	853510002	OIL SIGHT GLASS	1
20-kit 194	380514532	REAR GLAND	3	45	852543502	PLUG G.1/4	1
22	380458092	COVER	1	46-kit 101	824079002	GASKET	1
23-kit 195	380510532	VALVE CAP	6	47	851151002	PIN	2
24-kit 195	803204002	O-RING	6	48	802303302	"U" RING	3
25	864090002	BOLT	2				

REPAIR KIT		ITEM NO.s INCLUDED	PCS.
kit 101	389872973	SPARE PARTS KIT	8
kit 106	389880973	SPARE PARTS KIT	3
kit 148	089818973	SPARE PARTS KIT	12
kit 365	389909973	SPARE PARTS KIT	15
kit 364	389908973	SPARE PARTS KIT	21
kit 195	389904973	SPARE PARTS KIT	12