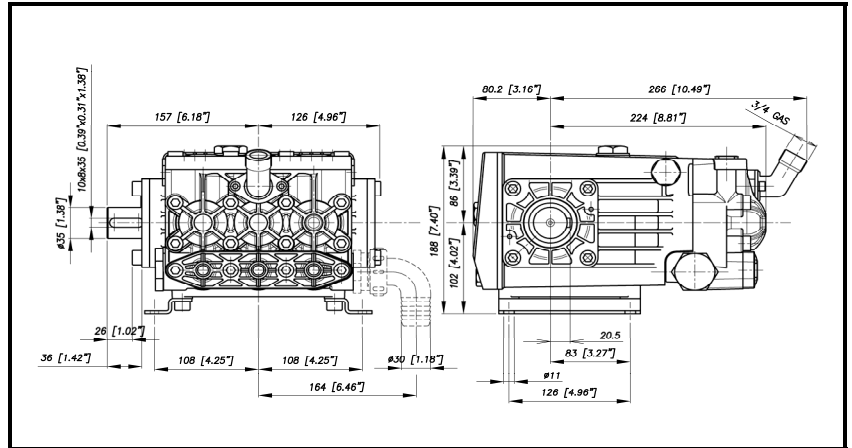
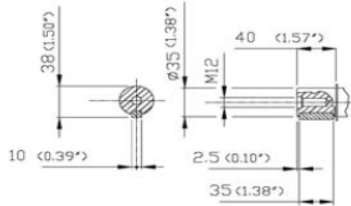


## DIMENSIONI D'INGOMBRO - OVERALL DIMENSIONS



## ALBERO POMPA - PUMP SHAFT

PP



## COPPIA DI SERRAGGIO - TORQUE CHART

CODICE - CODE	Q.TY	POS	N·m	Lbr.ft
86.2330.00.2	9	13	10	7,4
86.2730.00.2	6	54	22 (LOXEAL 54-03)	16,2 (LOXEAL 54-03)
86.3562.00.2	8	36	40	29,6
86.3300.00.2	8	38	40	29,6
53.0015.53.2	3	34	35 (LOXEAL 54-03)	25,9 (LOXEAL 54-03)
86.3325.00.2	3	32	28 (LOXEAL 83-54)	20,7 (LOXEAL 83-54)
86.2108.00.2	2	66	10	7,4
86.3212.00.2	8	52	40	29,6
86.3254.00.2	8	67	40	29,6

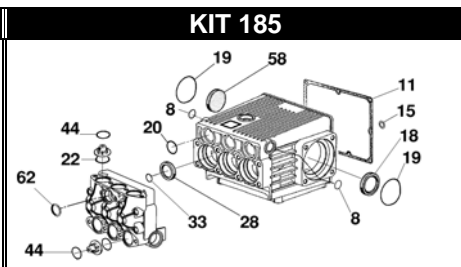
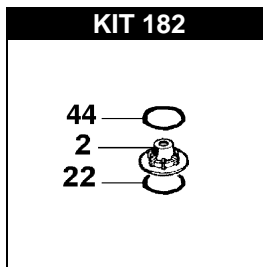
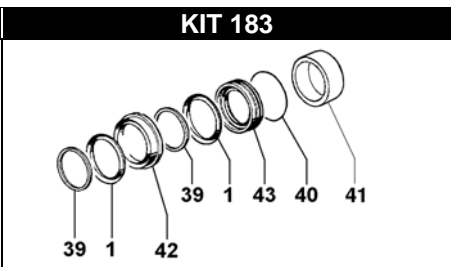
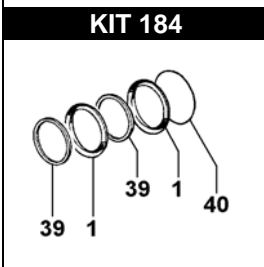
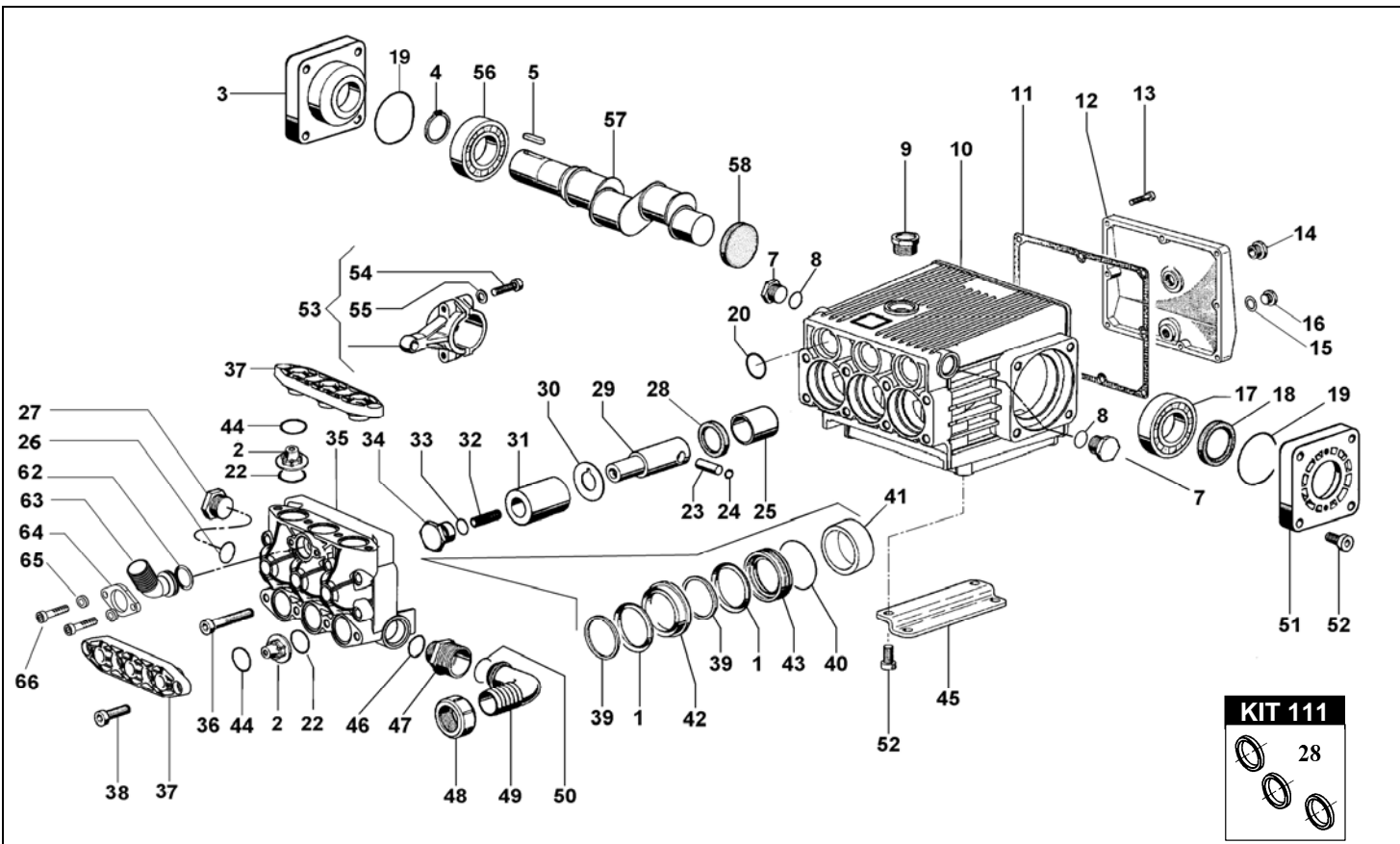
Tolleranza di serraggio:  
Tolerance on torque value: 0/-10%



## INFORMAZIONI UTILI USEFUL INFORMATION

### LUBRIFICANTE - LUBRICANT:

OLIO MOTORE O SEMIDRAULICO SAE 30  
MOTOR OIL OR SEMI-HYDRAULIC OIL SAE 30



POS.	CODICE PART NO. RÉF.	DENOMINAZIONE - DESCRIPTION - DESCRIPTION	Q.TY
1-KIT183-184	802170002	"V" PACKING DIA.38	6
2-KIT182	539803973	VALVES ASSY	6
3	530036092	BEARING COVER DIA.35	1
4	801264002	CIRCLIP DIA.35	1
5	806578002	TAB 10x8x35	1
7	852629002	CAP G.1/2	2
8-KIT185	803187002	O-RING 2,62x17,86	2
9	060020322	OIL FILLER PLUG	1
10	530025092	CRANKCASE	1
11-KIT185	530012722	COVER GASKET	1
12	530033092	CRANKCASE COVER	1
13	862216002	BOLT M6x25 UNI5931	9
14	853505002	OIL SIGHT GLASS	1
15-KIT185	824081002	GASKET	1
16	852543502	PLUG G.1/4	1
17	812846002	BALL BEARING	2
18-KIT185	802143102	OIL SEAL	2
19 -KIT 185	803287002	O-RING 3,53x82,14	2
20-KIT185	803247502	O-RING 3,53x28,17	3
22-KIT182-185	803204002	O-RING 2,62x23,81	6
23	852006242	PISTON PIN DIA.12	3
24	801080002	CIRCLIP DIA.12	6
25	804460002	BUSHING	3
26	803206002	O-RING 2,62x28,25	1
27	852720002	CAP G.1	1
28-KIT111-185	802133002	OIL SEAL	3
29	530028092	PLUNGER ROD	3
30	530017682	WASHER	3
31	530018182	CERAMIC PISTON DIA.38	3
32	863325002	BOLT STEI M10x35 UNI5923	3
33-KIT185	803182502	O-RING 2,62x17,13 VITON	3
34	530015532	PLUG	3

POS.	CODICE PART NO. RÉF.	DENOMINAZIONE - DESCRIPTION - DESCRIPTION	Q.TY
35	530026092	PUMP HEAD	1
36	863562002	BOLT TCEI M10x70 UNI5931	8
37	530027092	VALVES COVER	2
38	863300002	BOLT TCEI M10x30 UNI 5931	8
39-KIT183-184	530014322	THRUST RING	6
40-KIT183-184	803209602	O-RING 2,62x47,3	3
41-KIT183	530032482	SPACER GLAND	3
42-KIT183	530031532	FRONT GLAND	3
43-KIT183	530030532	REAR GLAND	3
44-KIT182-185	803207002	O-RING 2,62x29,82	6
45	530010612	MOUNTING RAIL	2
46	803206002	O-RING 2,62x28,25	1
47	835089002	NIPPLE G.1"-G.1"1/4	1
48	820067502	WING NUT G.1"1/4	1
49	840560002	90° ELBOW CONNECTOR DIA.30	1
50	803219002	O-RING 3x25	1
51	530035092	BEARING COVER 1"3/8 SIDE	1
52	863212002	BOLT TCEI M10x20 UNI5931	12
53	539800972	CONROD	3
54	862730002	BOLT TCEI M8x30 UNI 5931	6
55	843652002	WASHER D.8,4x13x1,2	6
56	812848002	ROLLER BEARING	1
57	530034262	CRANKSHAFT	1
58-KIT185	802099602	CAP D.52x7	1
62-KIT185	80218002	O-RING 3x22	1
63	311516092	ADJUSTABLE CONNECTOR G.3/4	1
64	311517612	FLANGE FOR ADJUSTABLE CONNECTOR	1
65	843585002	WASHER D.6	6
66	862108002	BOLT TCEI M6x16 UNI5931	2
REPAIR KIT		ITEM NO.s INCLUDED	PCS.
KIT 111	539817973	SPARE PARTS KIT	3
KIT 182	539821973	SPARE PARTS KIT	18
KIT 183	539823973	SPARE PARTS KIT	24
KIT 184	539820973	SPARE PARTS KIT	15
KIT 185	539822973	SPARE PARTS KIT	31