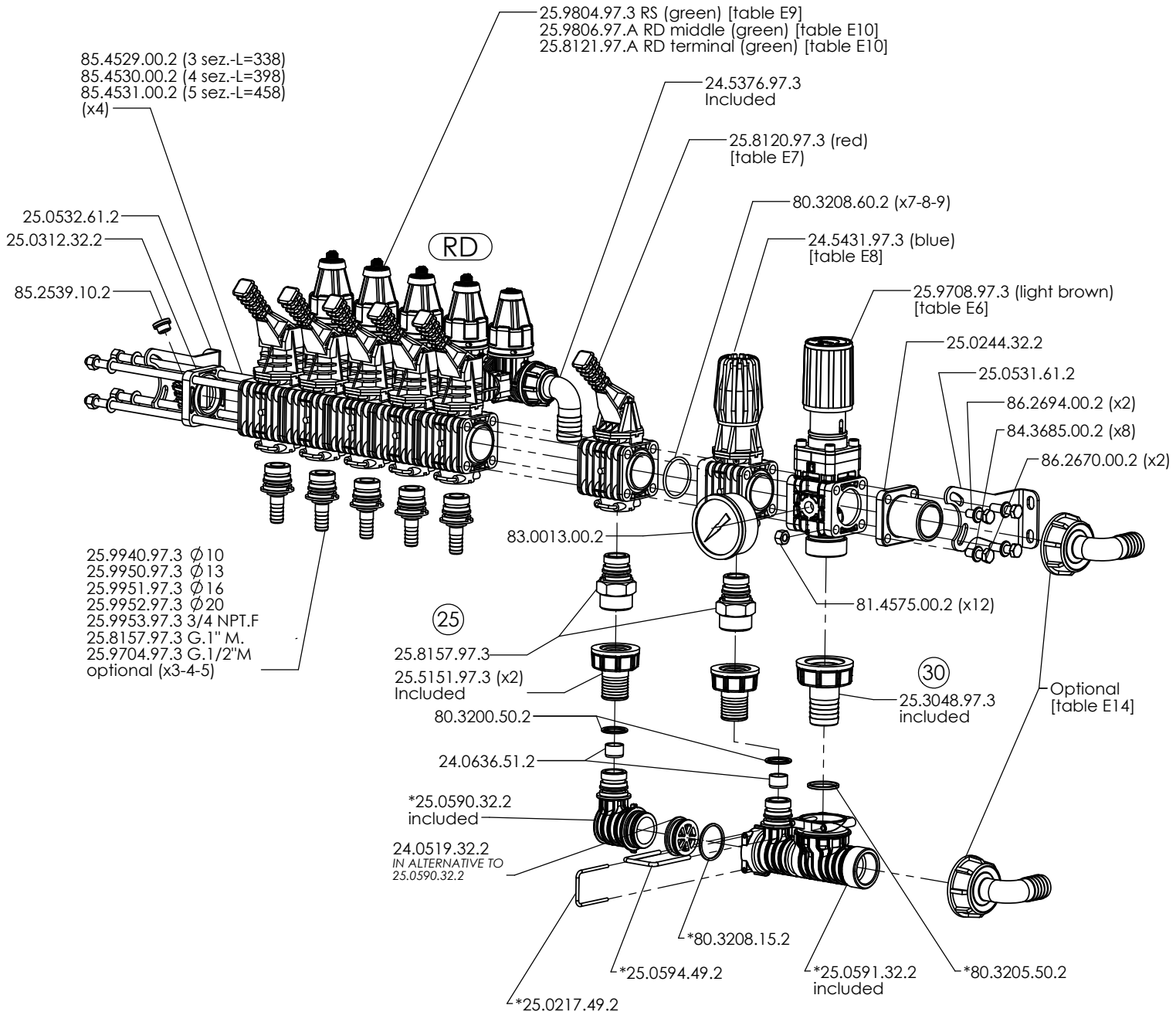


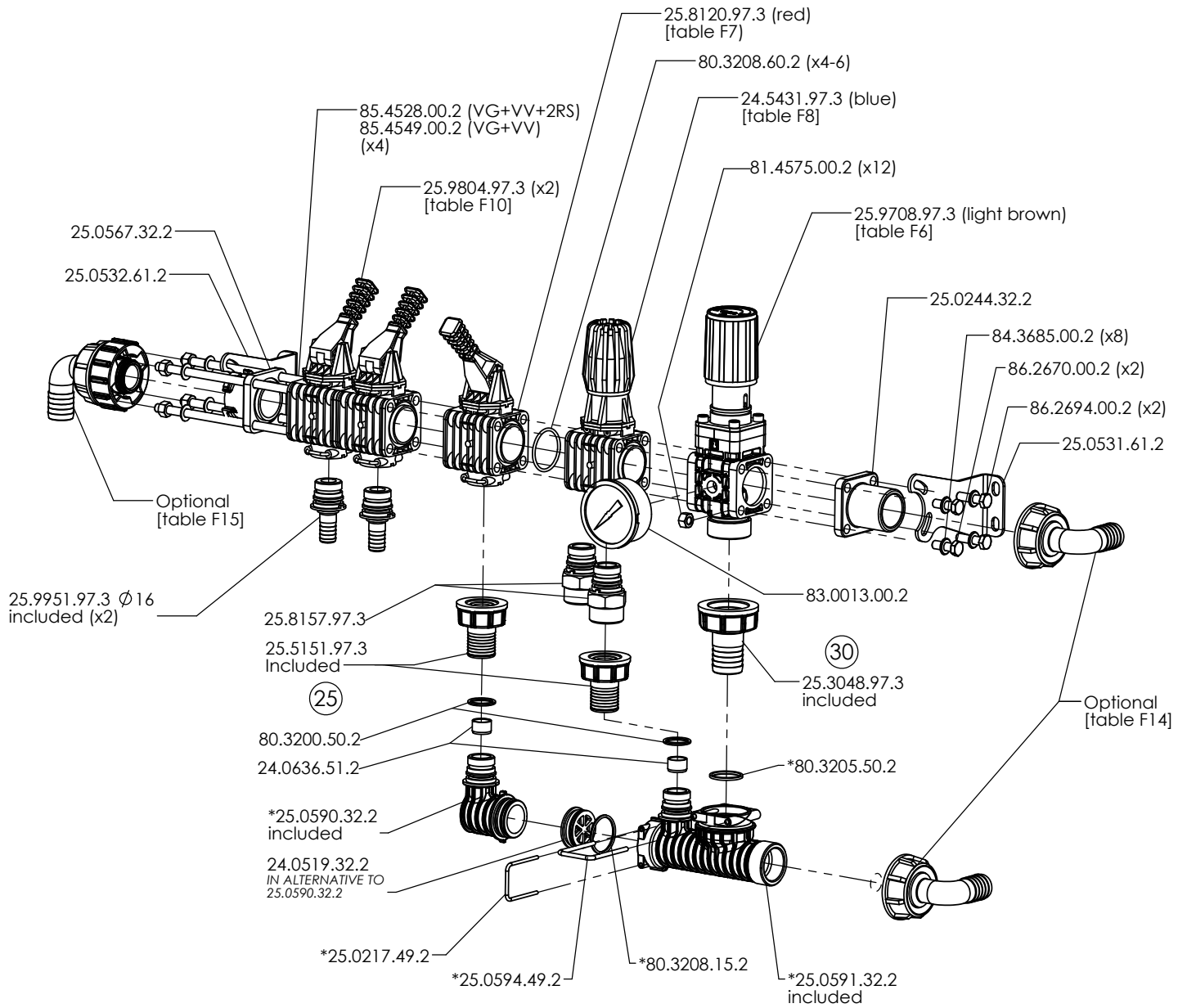
Manual units low pressure (RS/RD)

Use: **-/-**



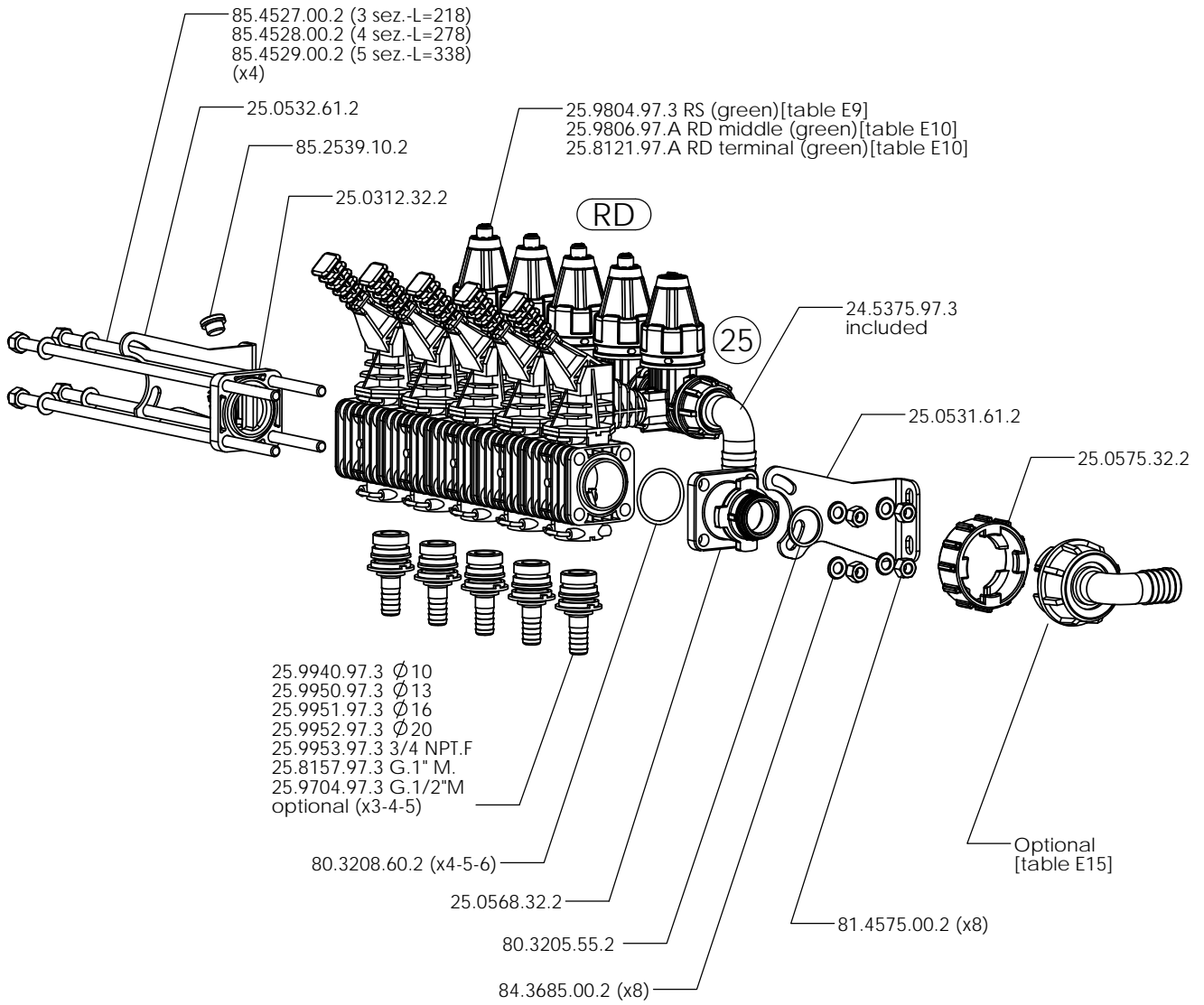
Manual regulating unit

Use: **-/-**



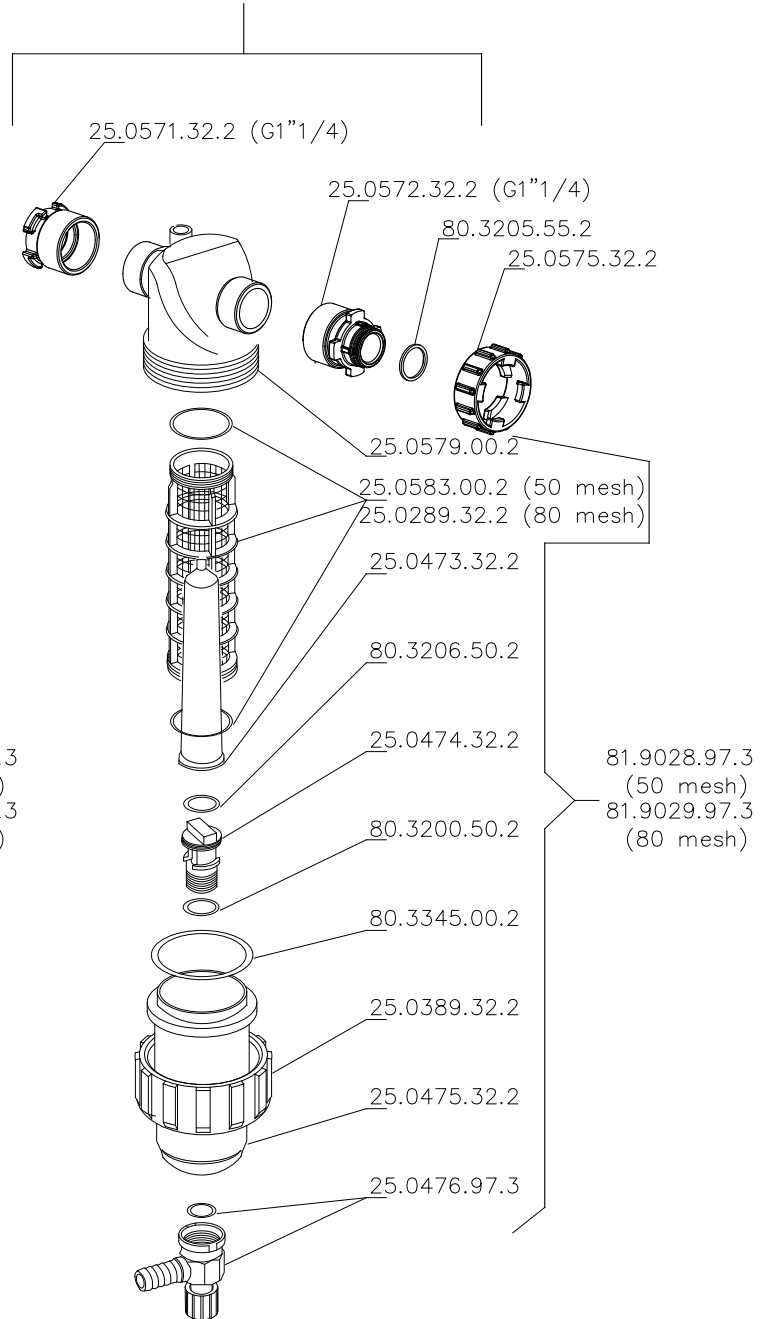
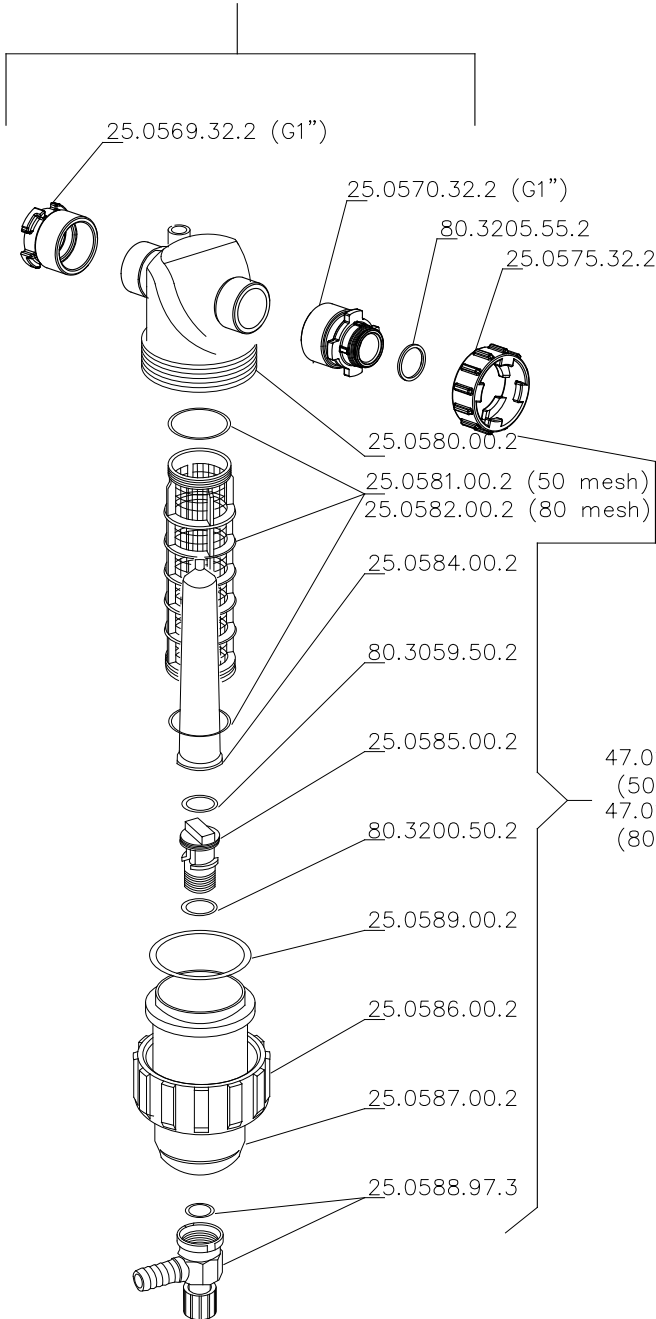
Manual sections valves assemblies (RS/RD)

Use: -/-



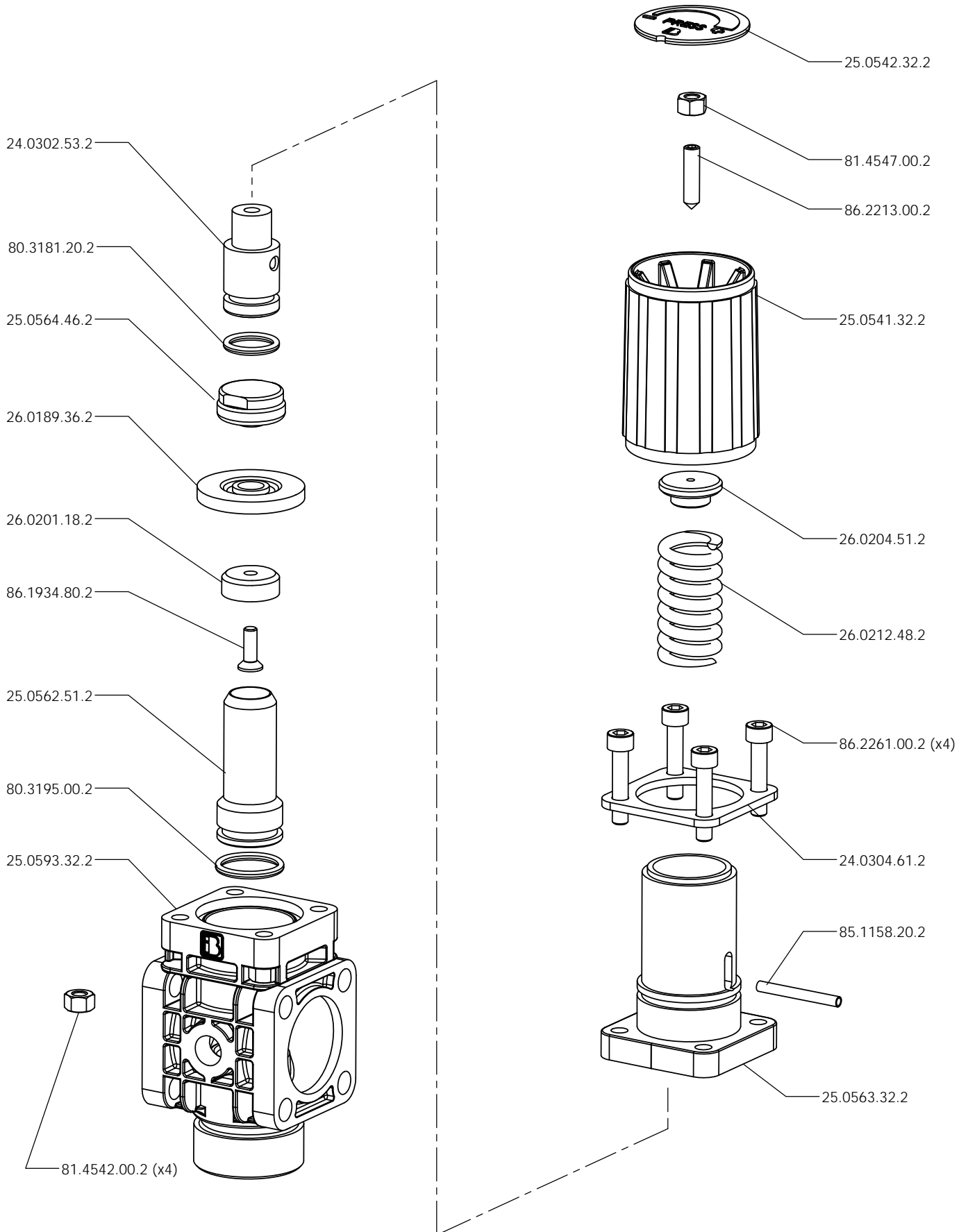
47.0145.97.3RF (160L/min 50 mesh)
 47.0188.97.3RF (160L/min 80 mesh)

81.9028.97.3RF (280L/min 50 mesh)
 81.9029.97.3RF (280L/min 80 mesh)



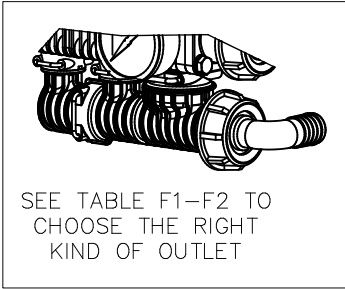
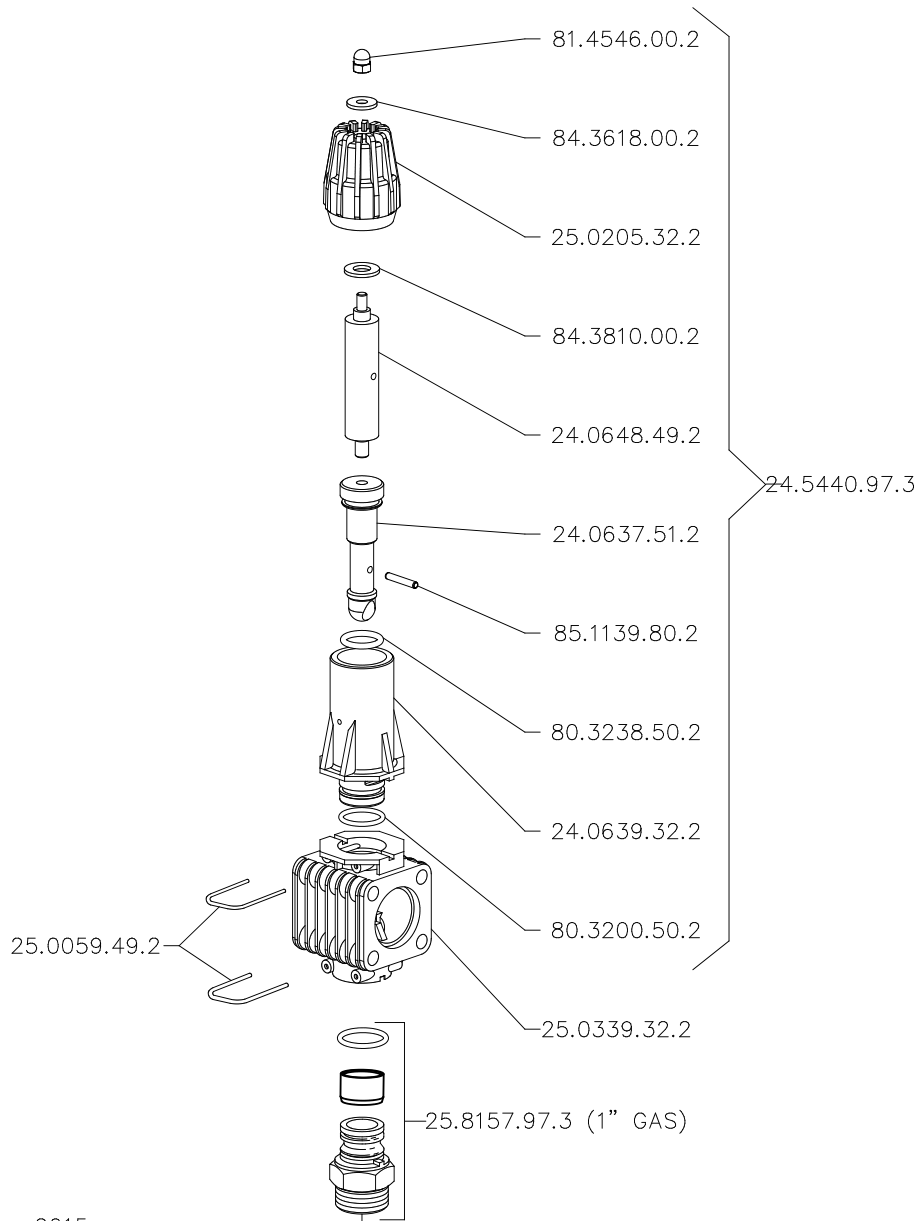
Pressure relief valve low pressure

Use: **G1-G2**



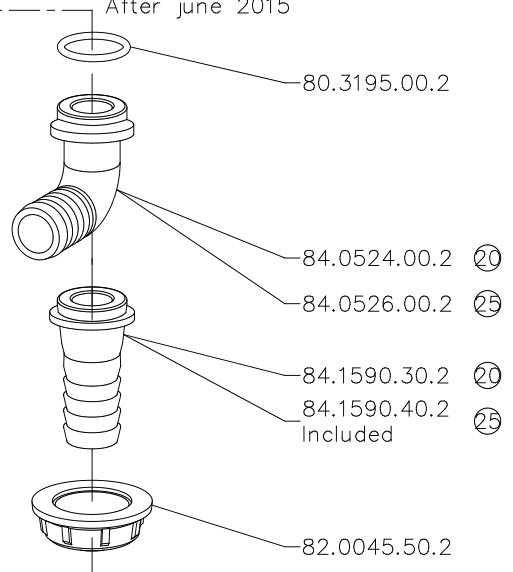
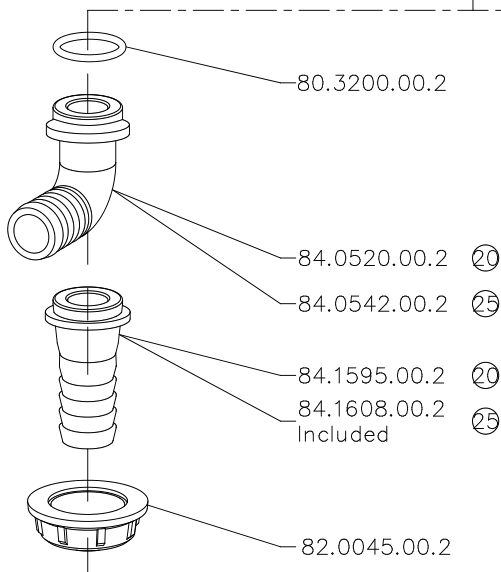
Manual volumetric valve (VPBPM)

Use: **F1-F2**



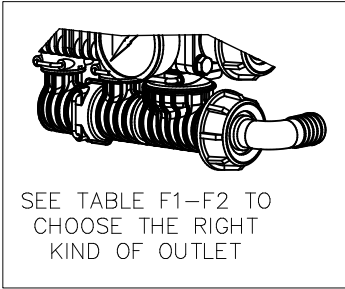
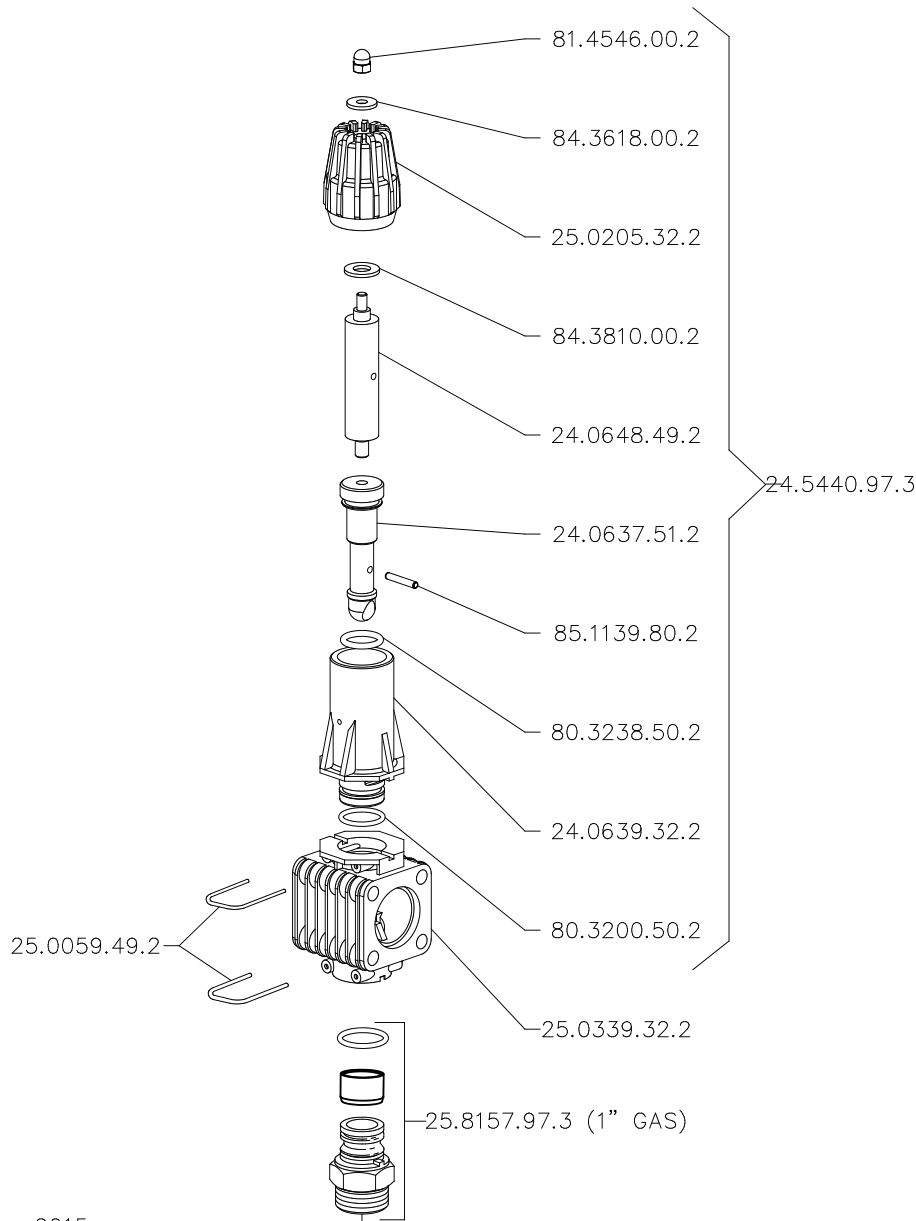
Before june 2015

After june 2015



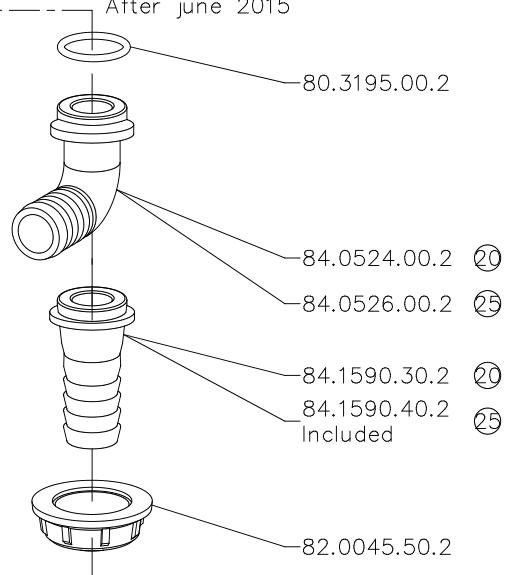
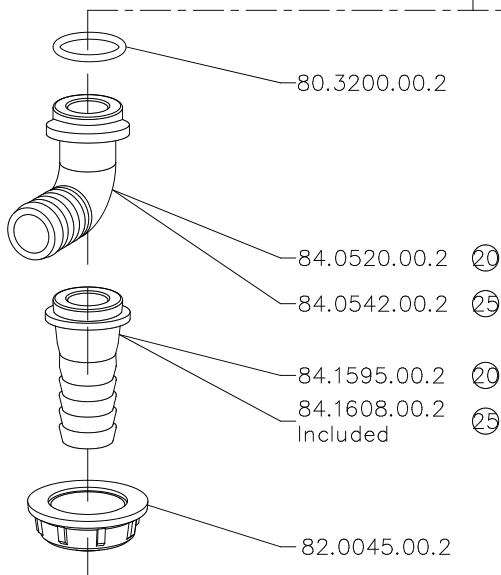
Manual volumetric valve (VPBPM)

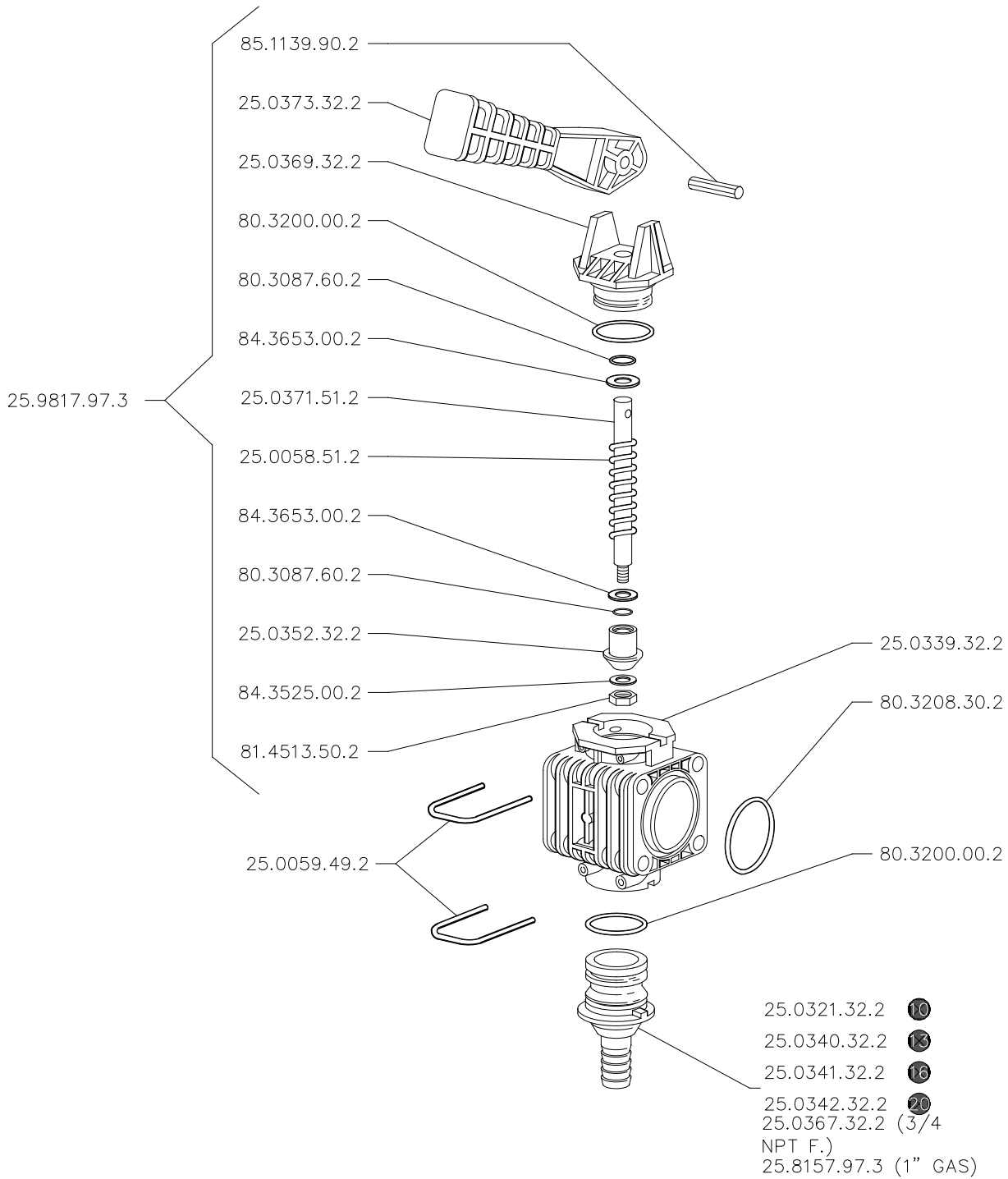
Use: **F1-F2**



Before june 2015

After june 2015

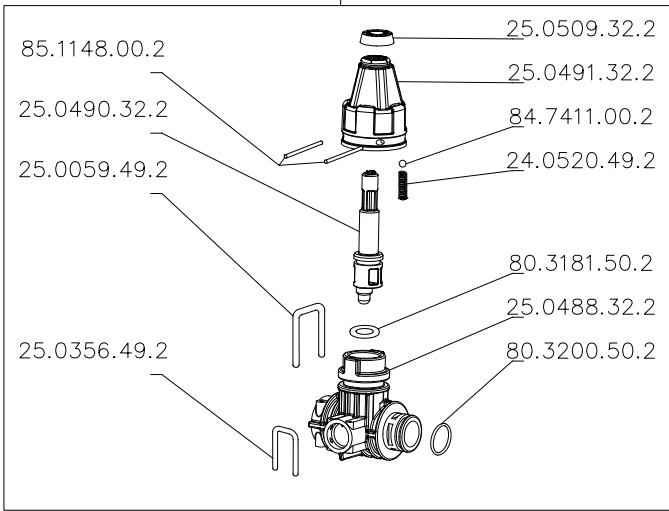




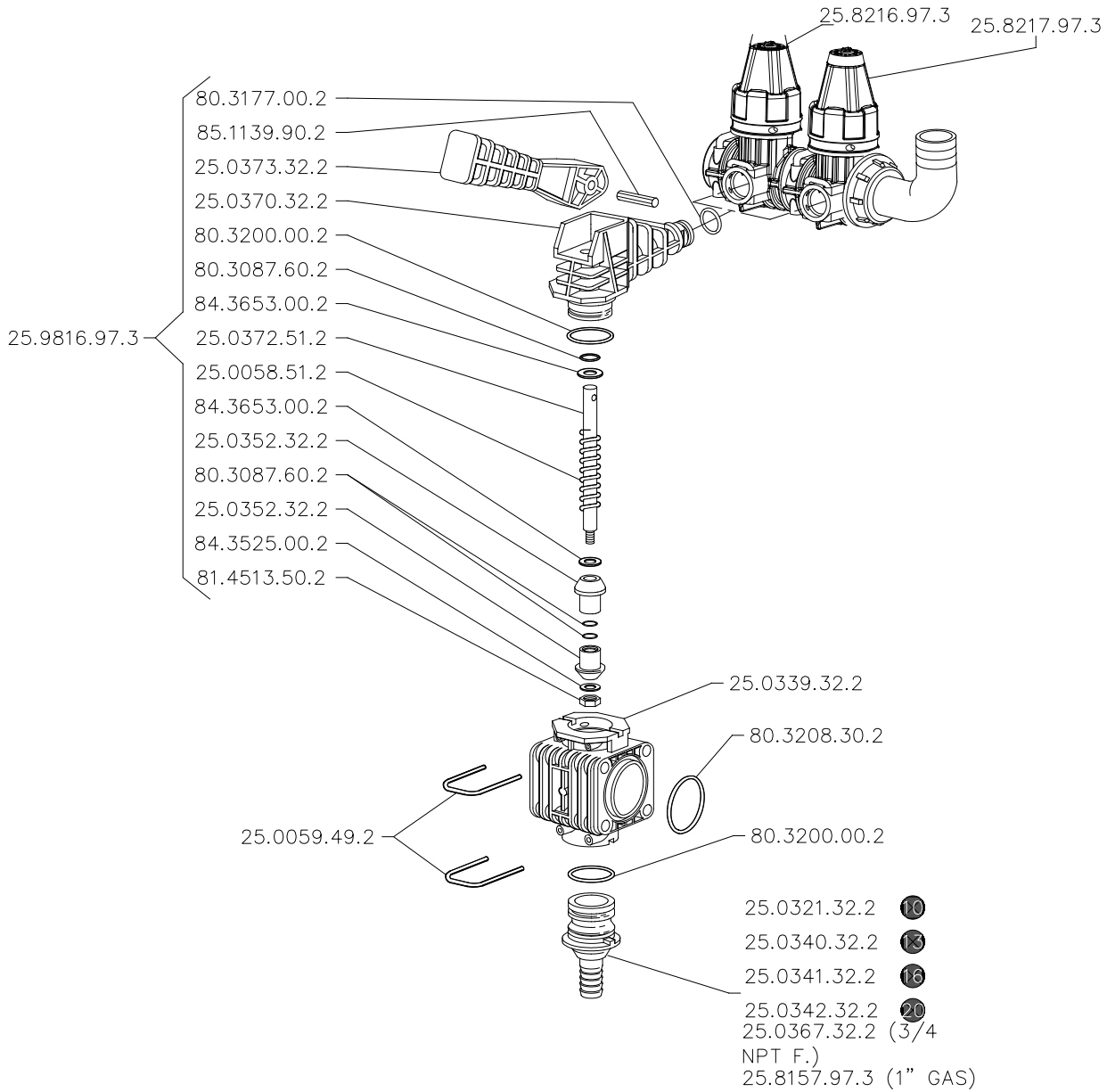
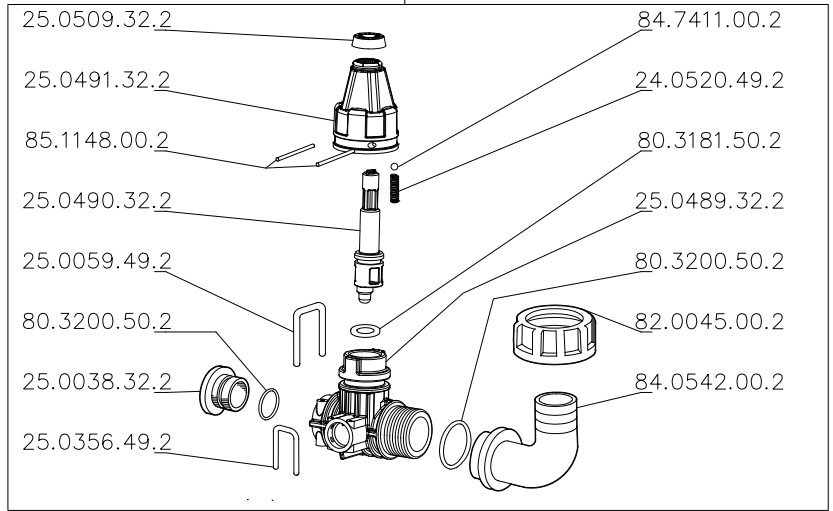
Manual section valve RD

Use: **F1-F3**

Kit by-pass
intermedio
25.8216.97.3
Intermediate by-pass kit



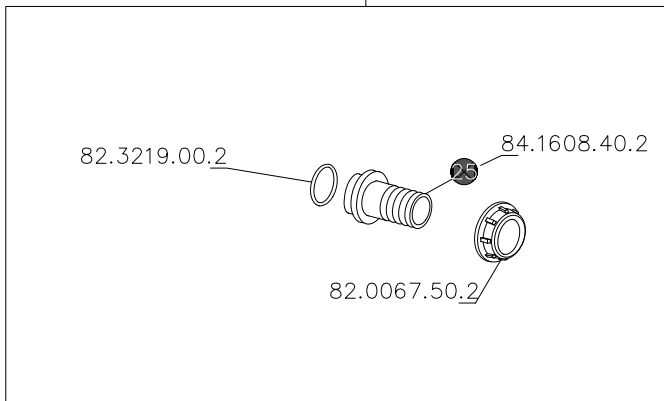
Kit by-pass
terminale
25.8217.97.3
Terminal by-pass kit



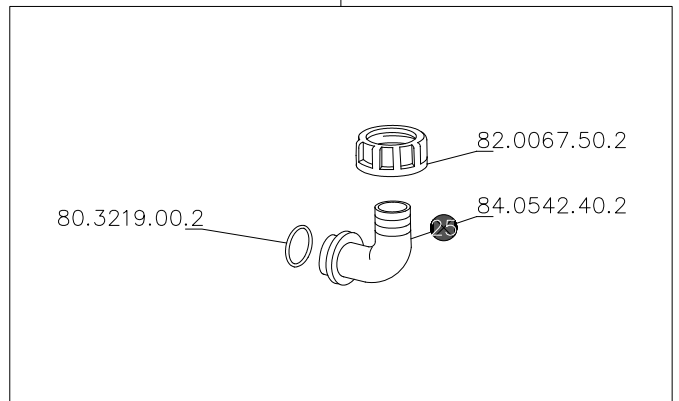
Inlet fitting kits

Use: **F1-F2**

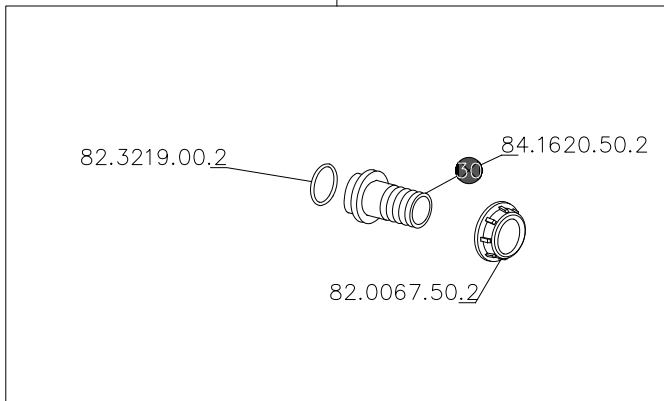
25.3047.97.3



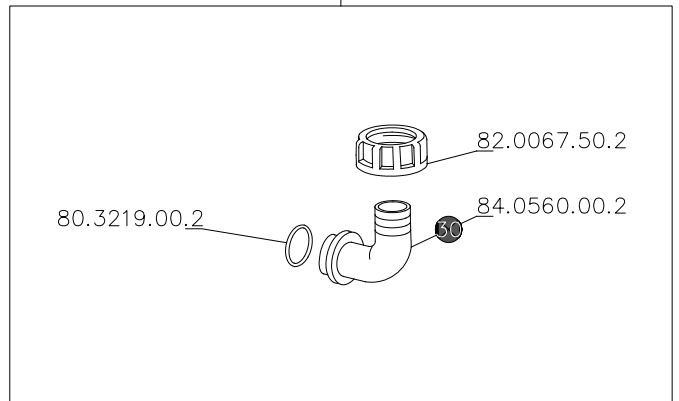
25.3045.97.3



25.3048.97.3



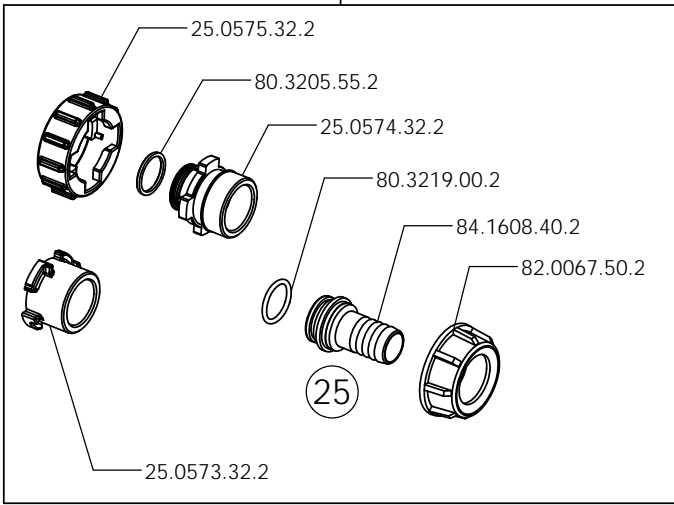
25.3046.97.3



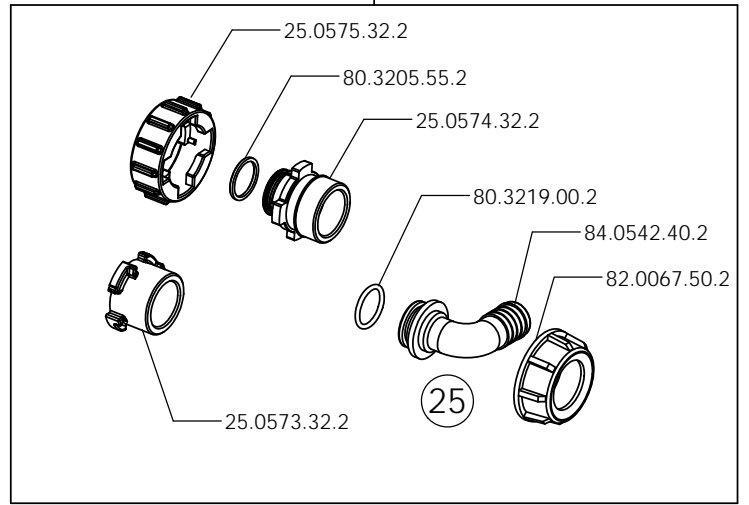
Outlet-inlet kits (RF)

Use: **F2-F3**

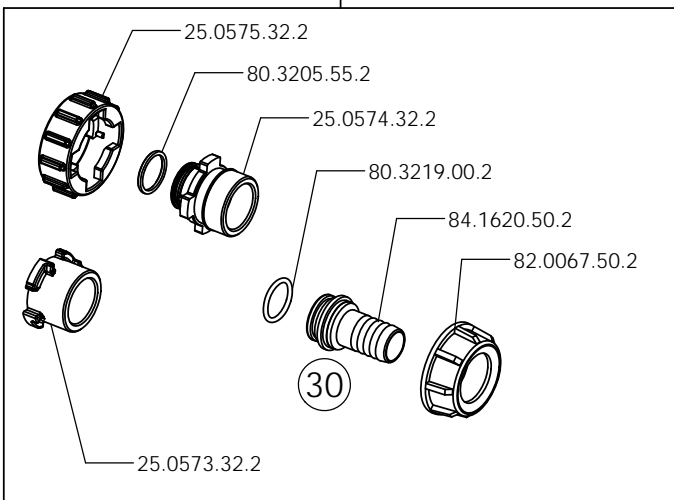
25.3047.97.3RFM



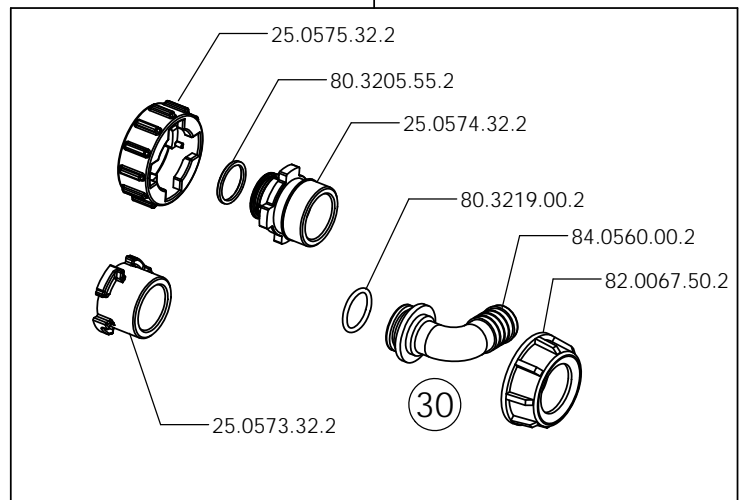
25.3045.97.3RFM



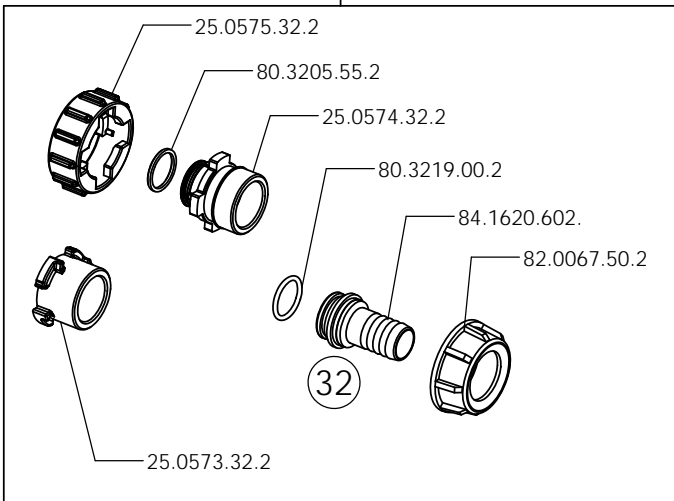
25.3048.97.3RFM



25.3046.97.3RFM



24.5342.97.3RFM



24.5381.97.3RFM

