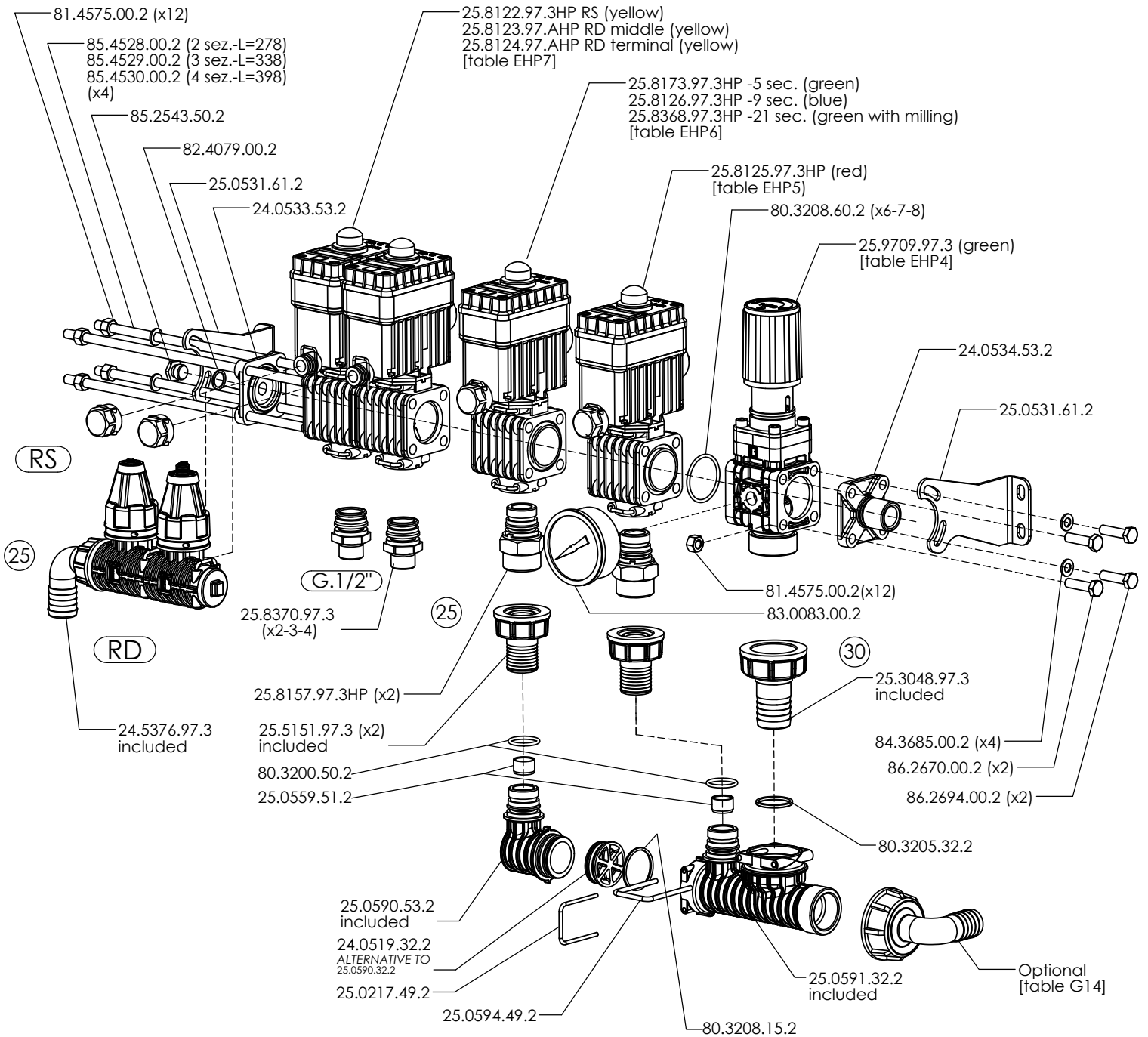


ECOCONTROL HP (40 BAR)

Table: **GHP1**

Motorized units high pressure (RS/RD)

Use: **-/-**

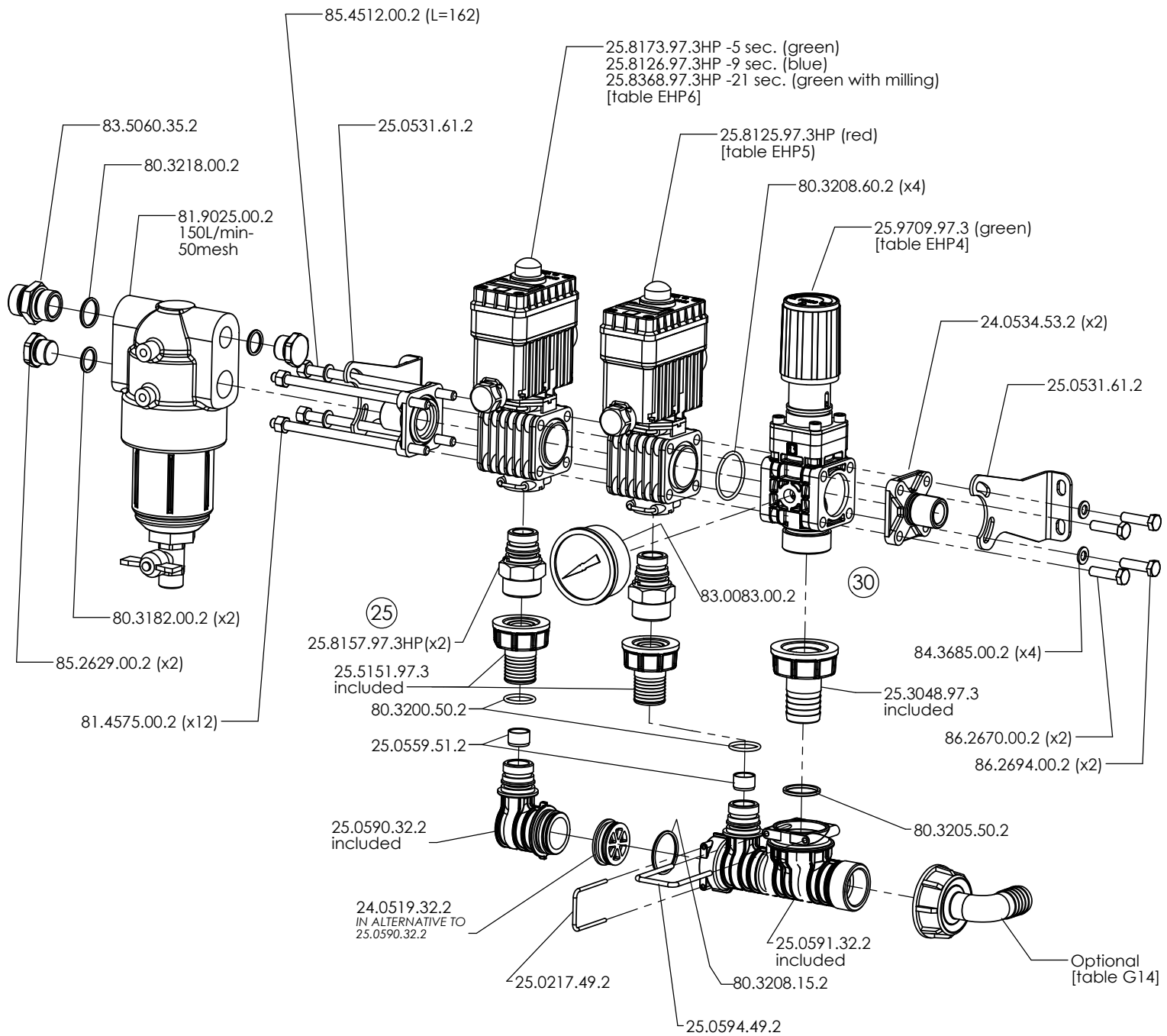


ECOCONTROL HP (40 BAR)

Table: **GHP2**

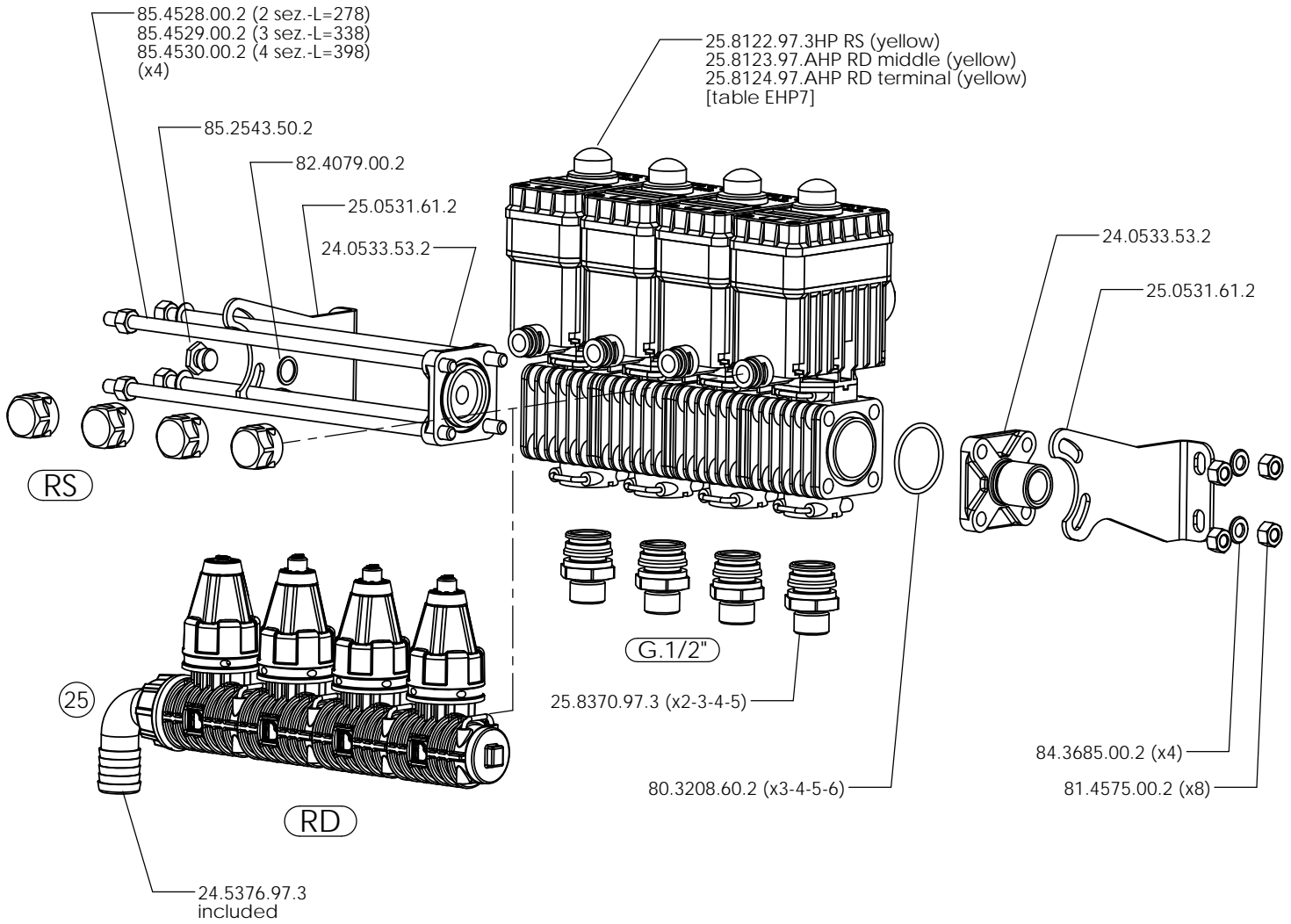
Motor -powered regulating units

Use: **-/-**



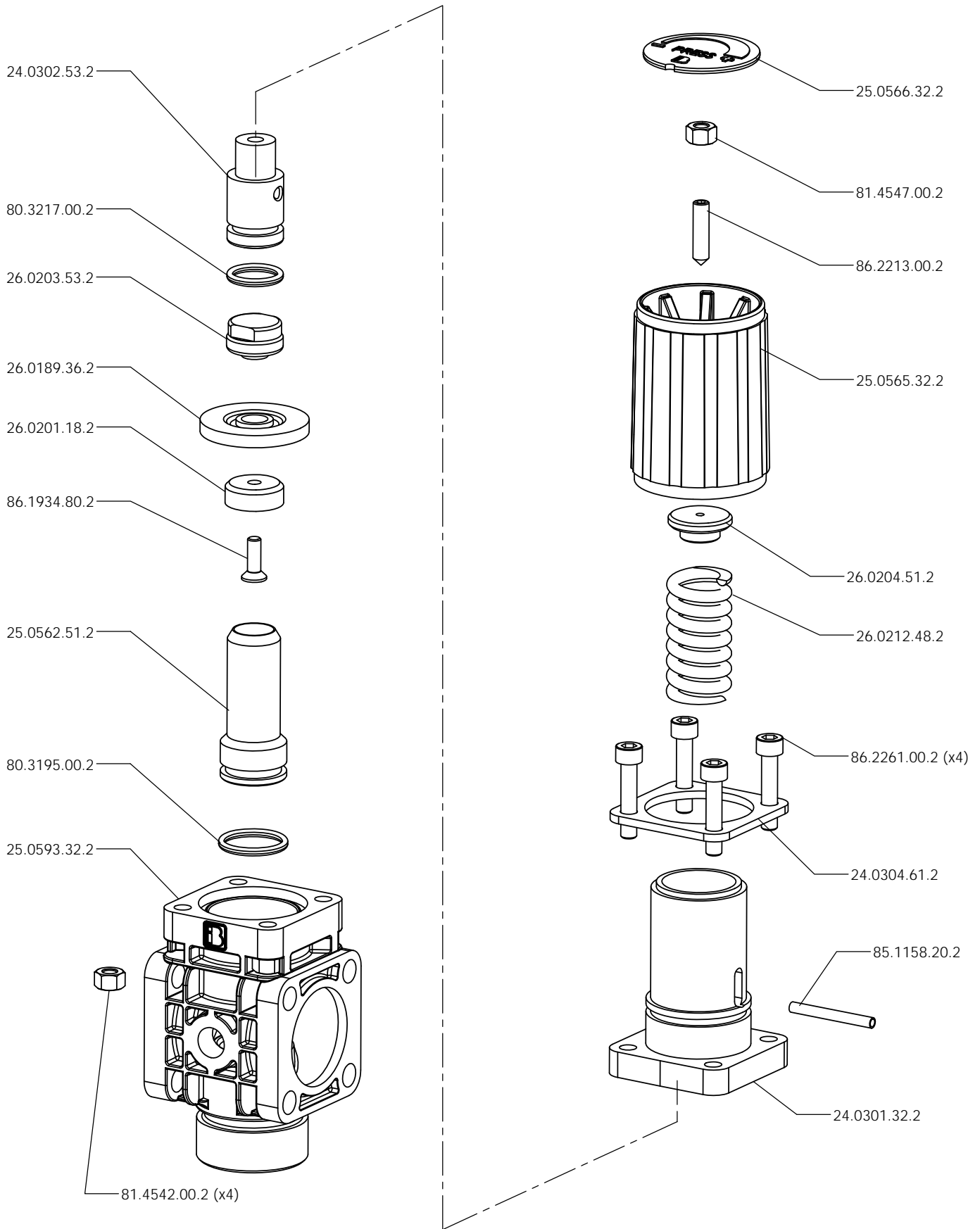
Motor powered section valves assemblies (RS/RD)

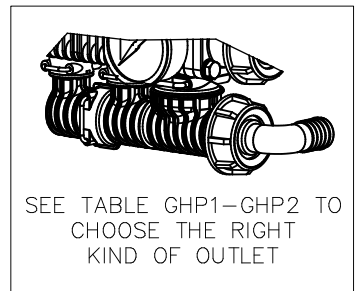
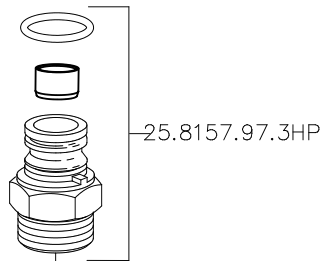
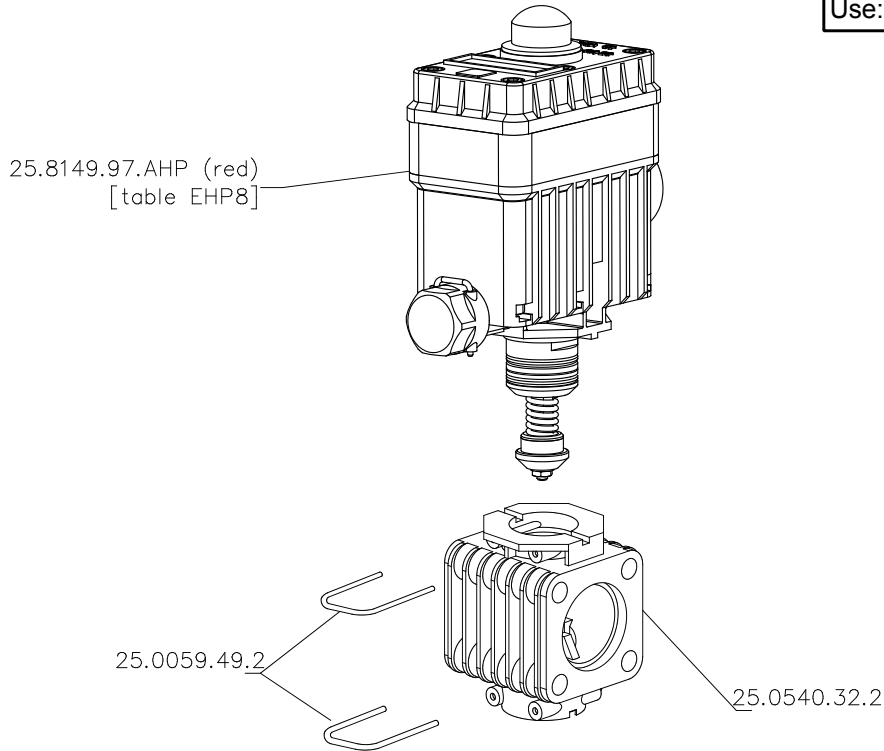
Use: **-/-**



Pressure relief valve high pressure

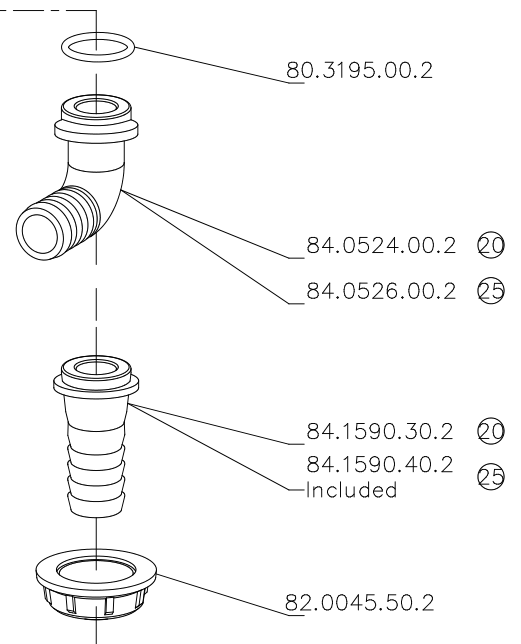
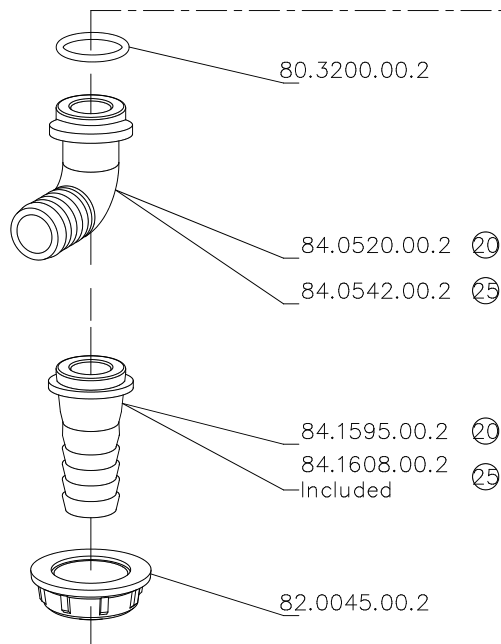
Use: **GHP1-GHP2**





Before june 2015

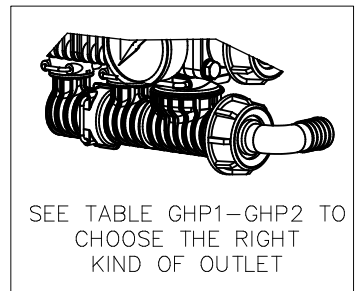
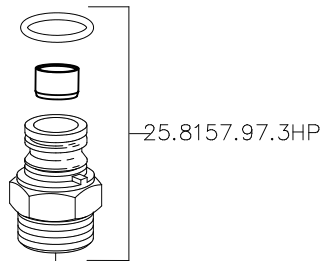
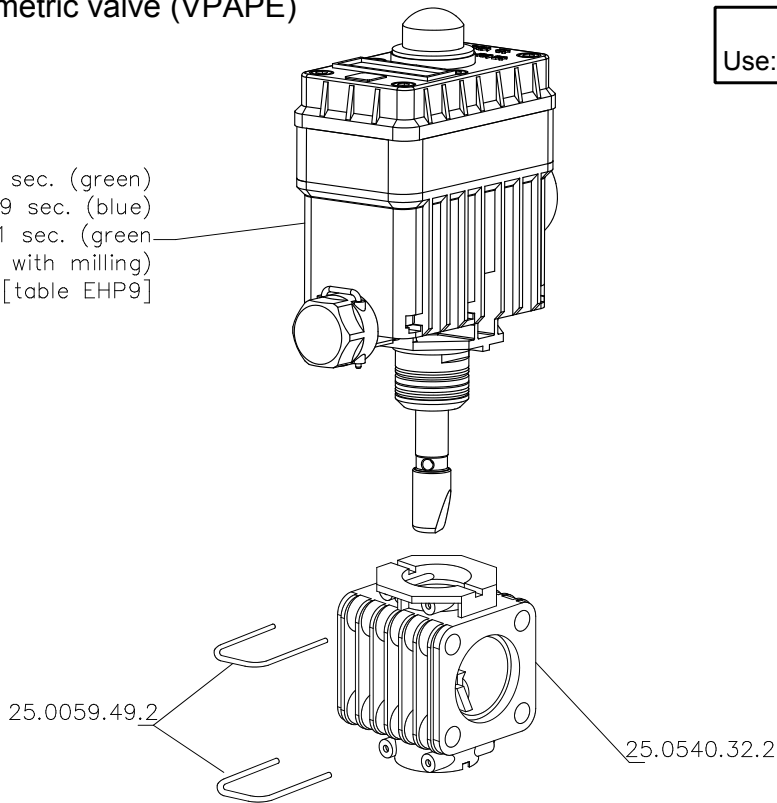
After june 2015



Motor powered volumetric valve (VPAPE)

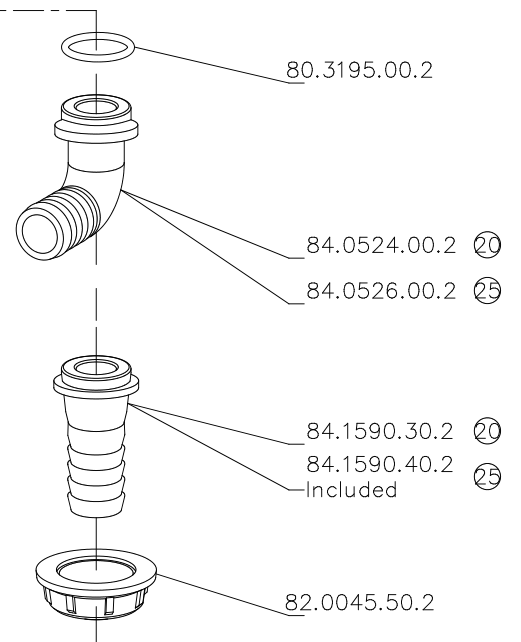
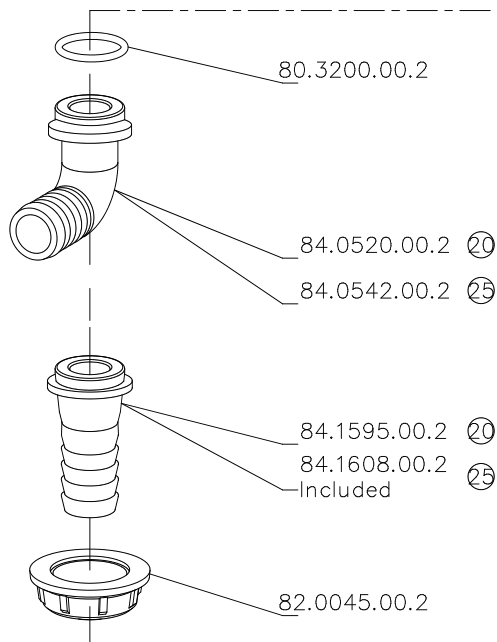
Use: **GHP1-GHP2**

- 25.8172.97.AHP -5 sec. (green)
- 25.9998.97.AHP -9 sec. (blue)
- 25.9705.97.3HP -21 sec. (green with milling)
[table EHP9]



Before june 2015

After june 2015

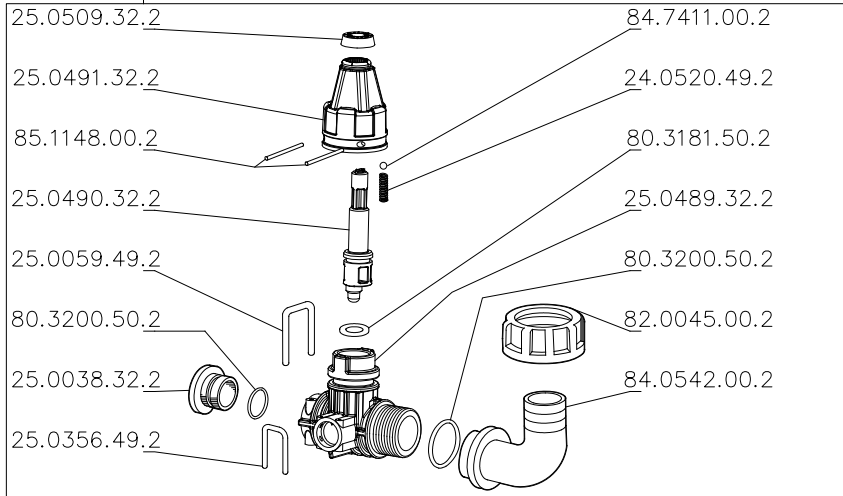
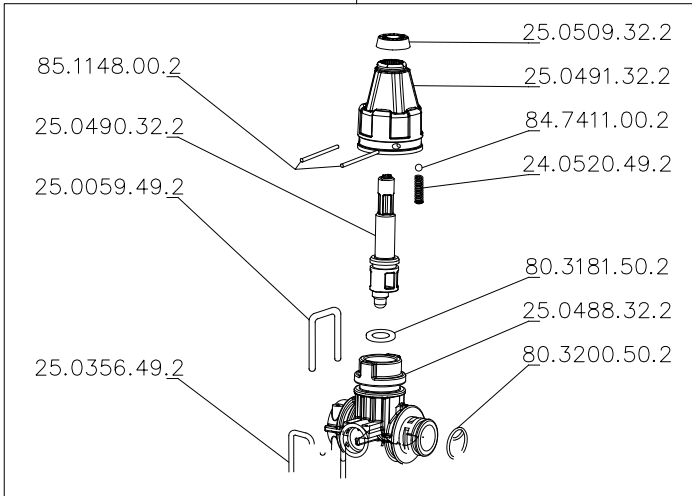


RS-RD motor powered valve

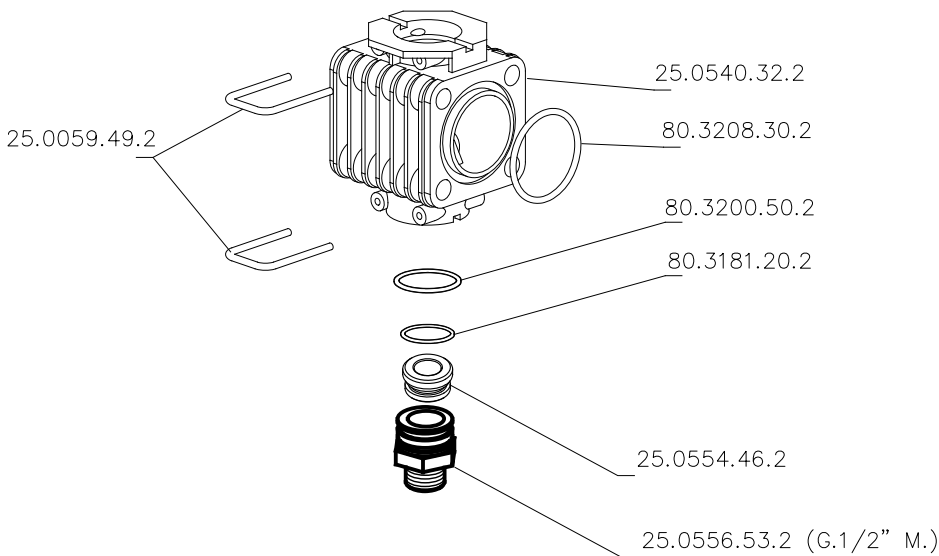
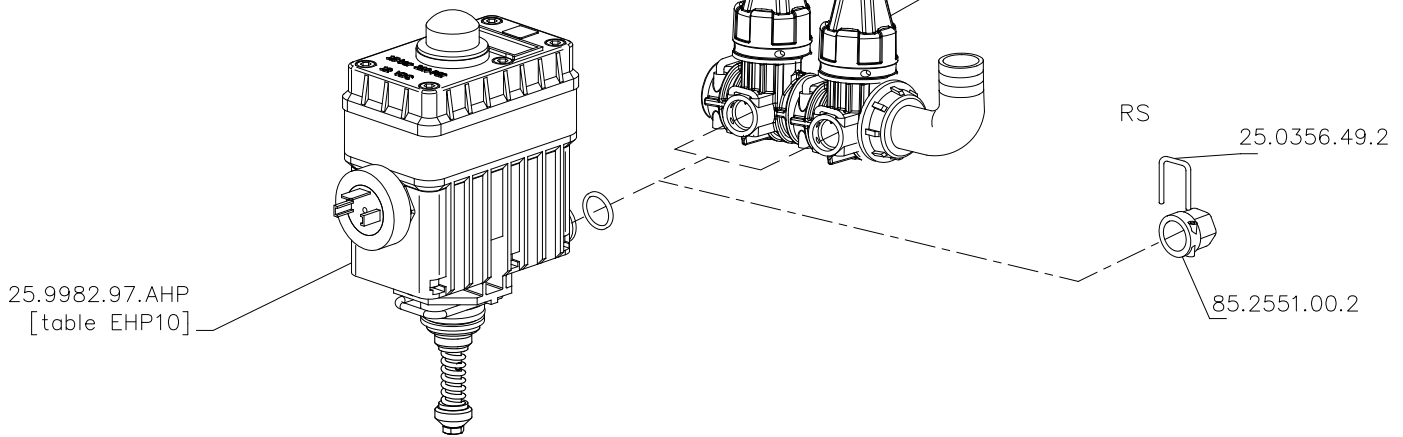
Use: **GHP1-GHP3**

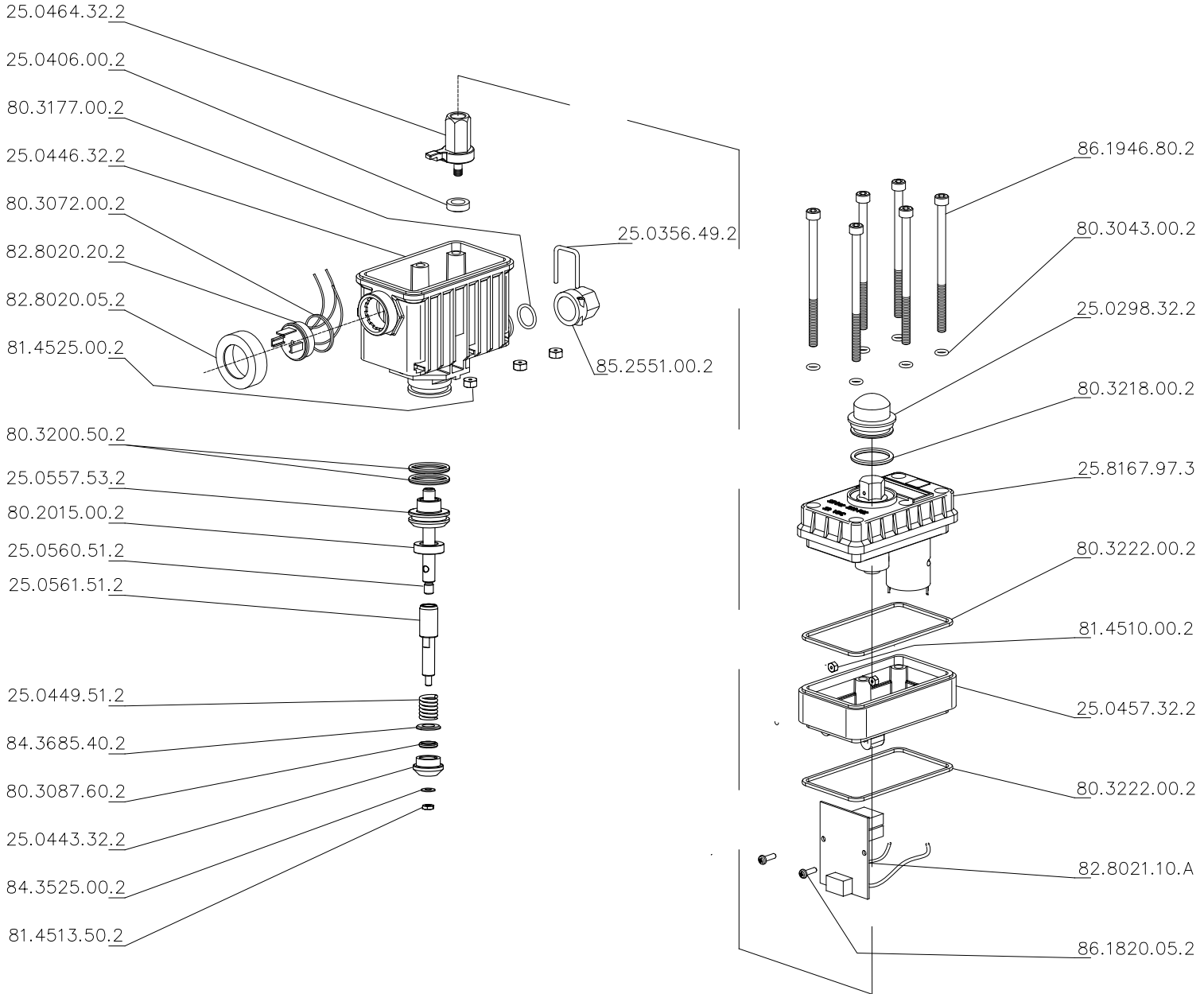
Kit by-pass intermedio
25.8216.97.3
Intermediate by-pass kit

Kit by-pass
terminale
25.8217.97.3
Terminal by-pass kit



25.8216.97.3 RD 25.8217.97.3





Motor powered volumetric valve (5" GREEN - 9" BLUE
- 21" GREEN with milling)

Use: **GHP6**

