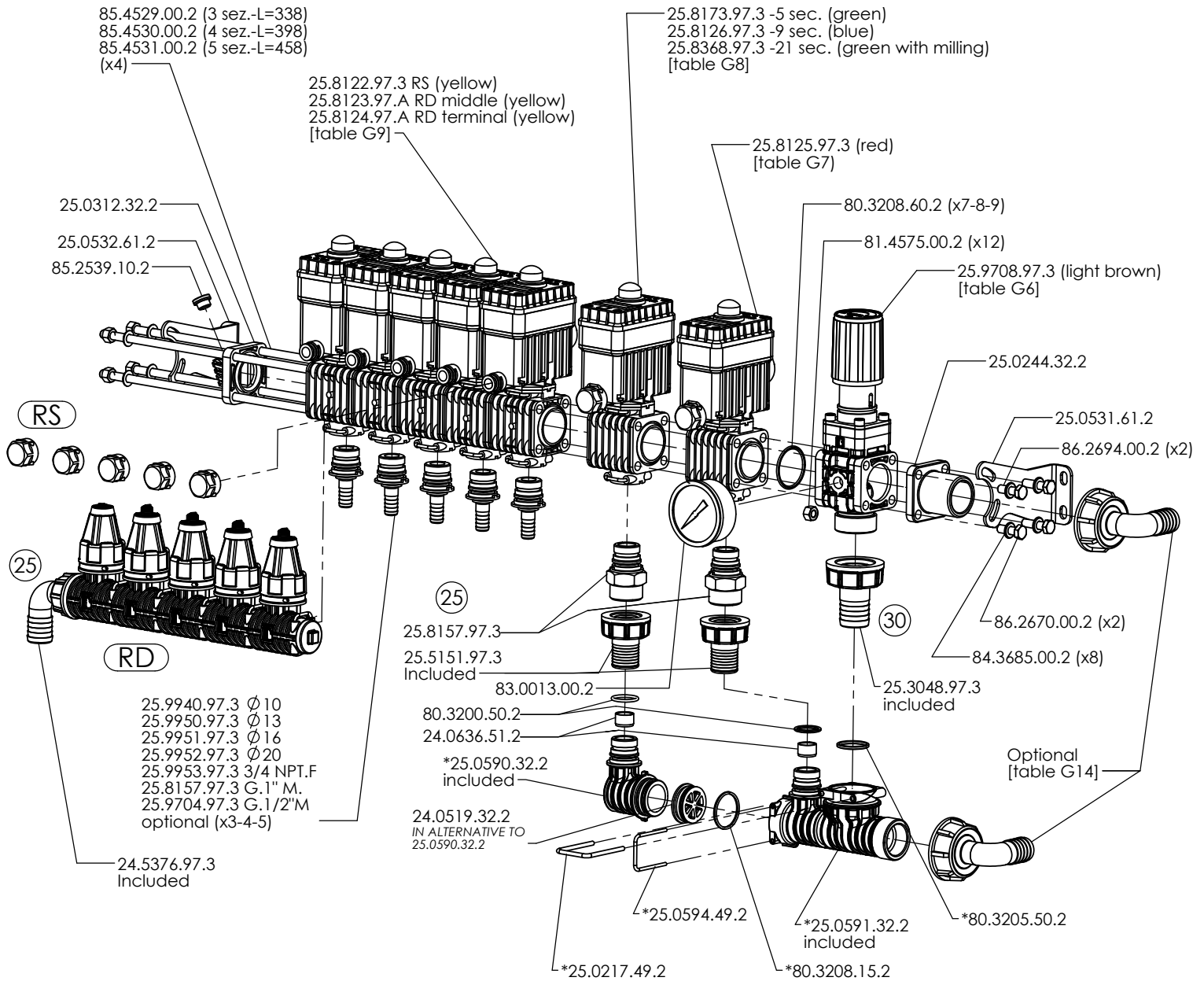


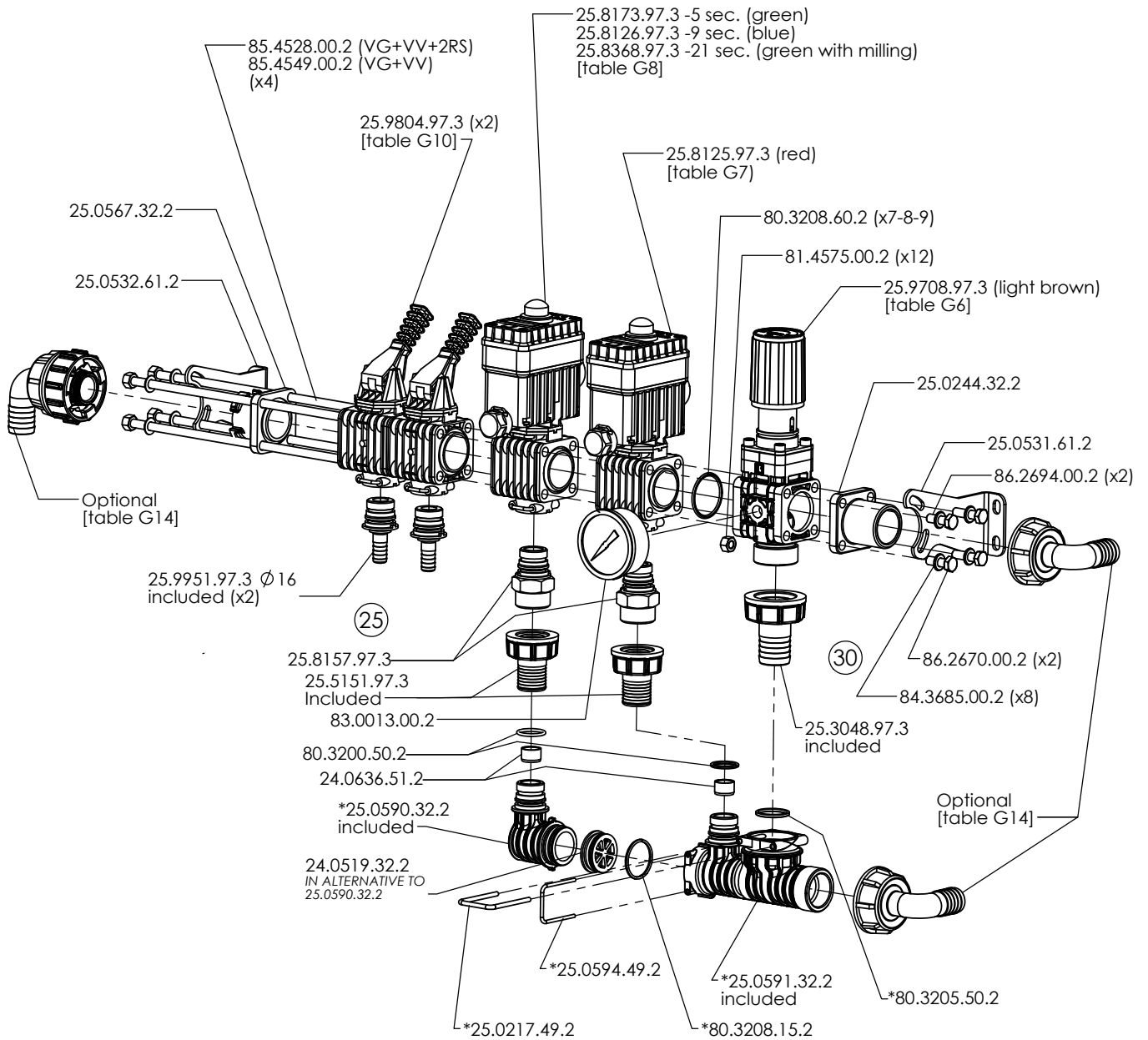
Motorized units low pressure (RS/RD)

Use: **-/-**



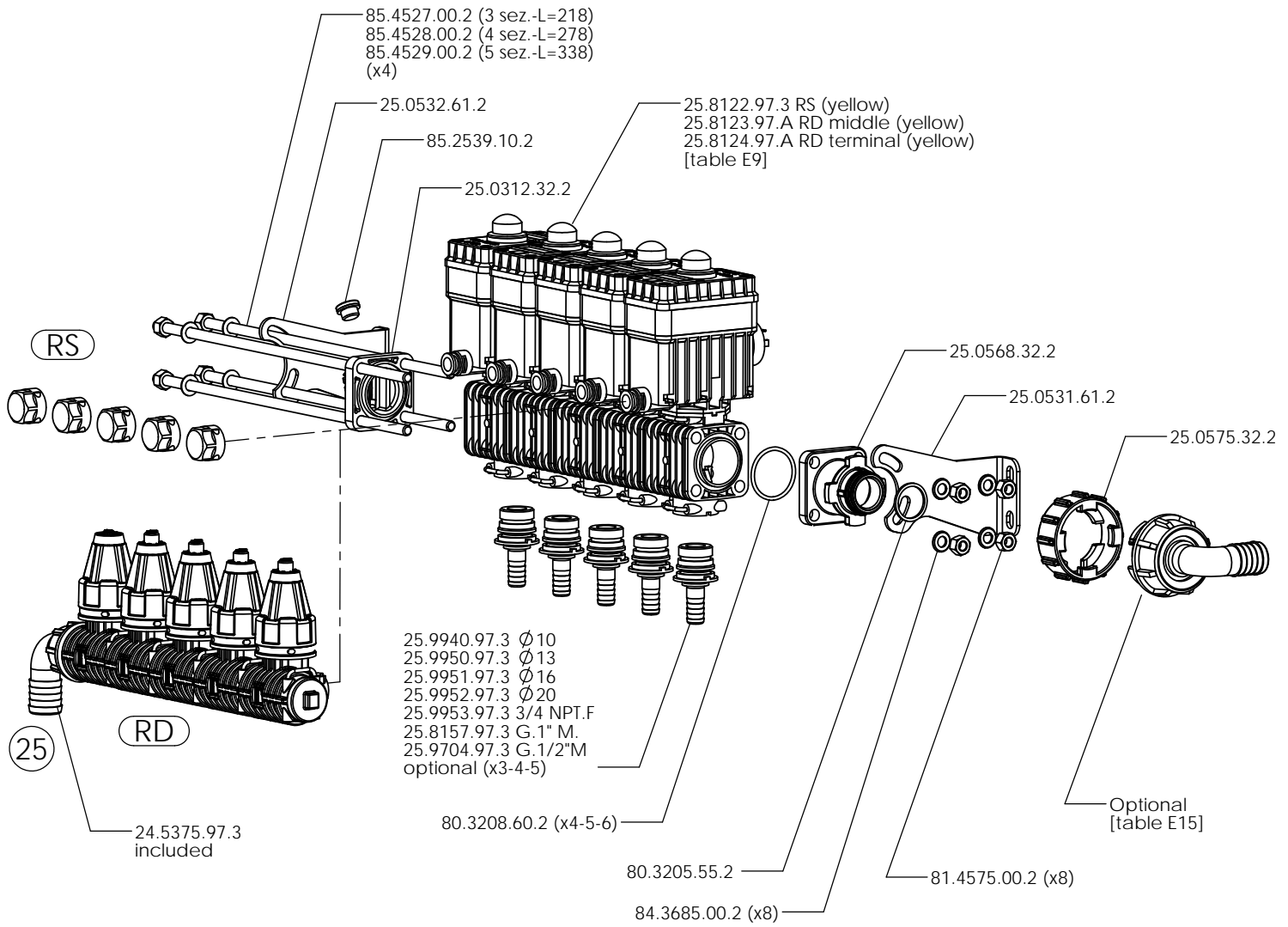
Motor-powered regulating unit

Use: **-/-**



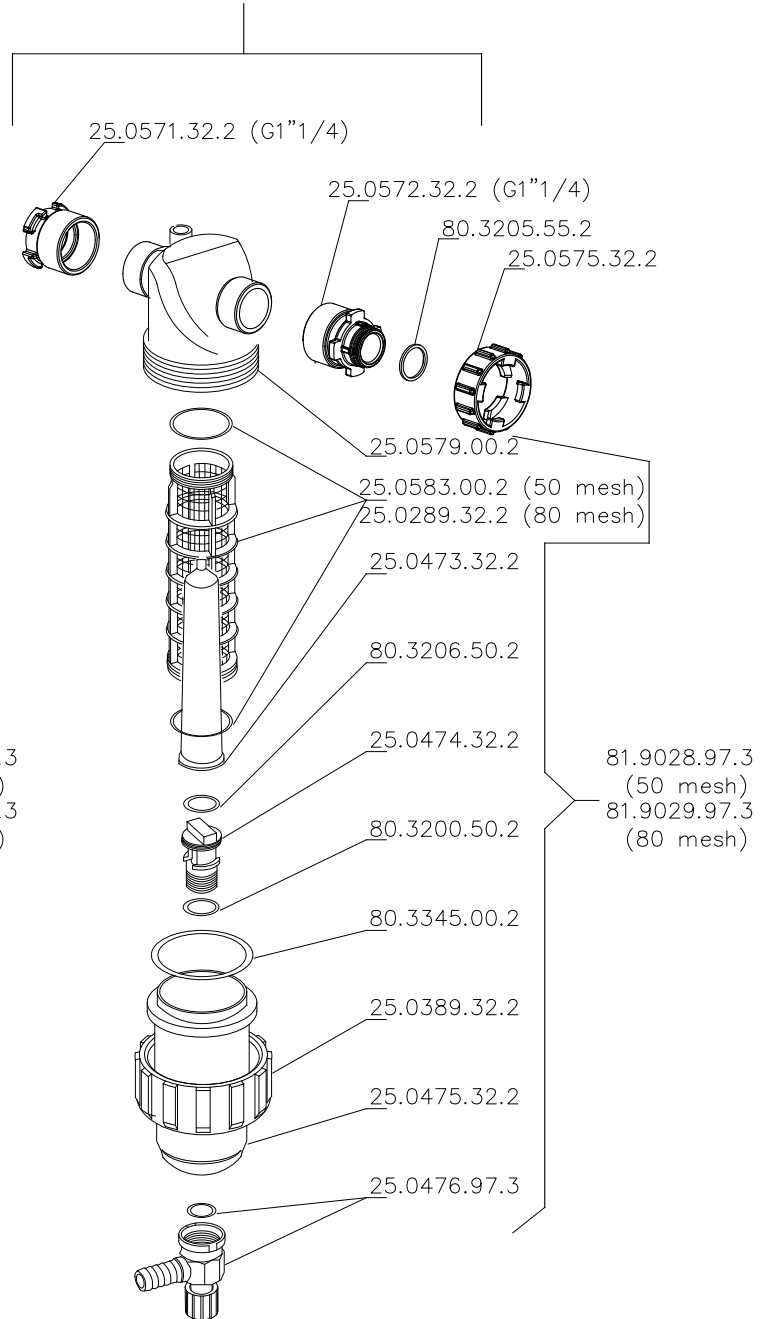
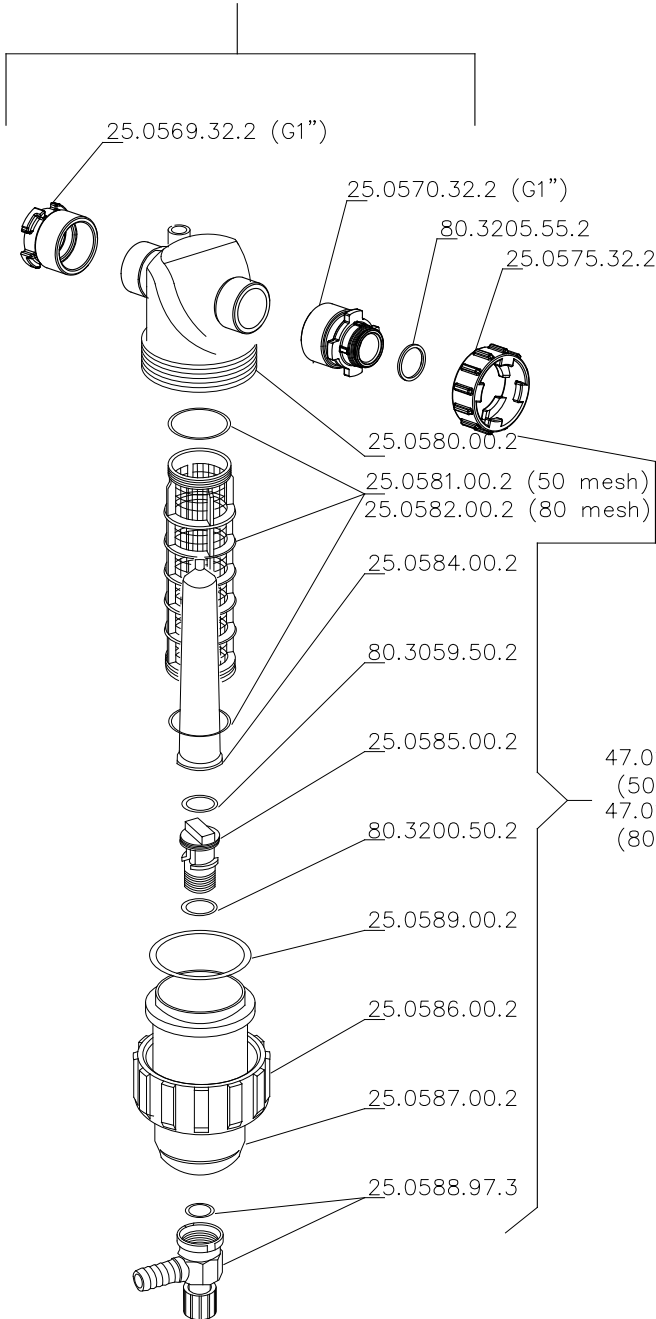
Motor-powered sections valves assemblies (RS/RD)

Use: **-/-**



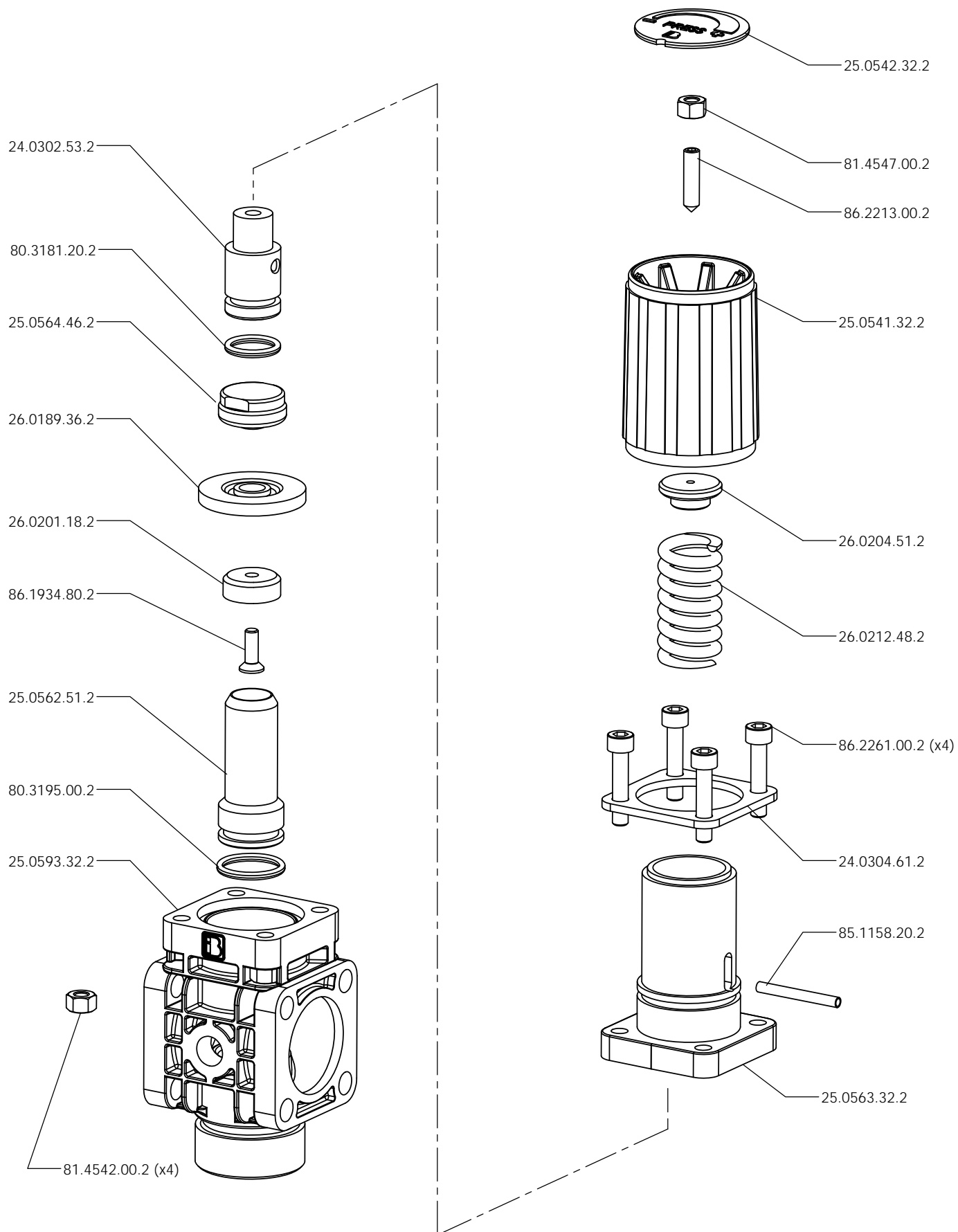
47.0145.97.3RF (160L/min 50 mesh)
 47.0188.97.3RF (160L/min 80 mesh)

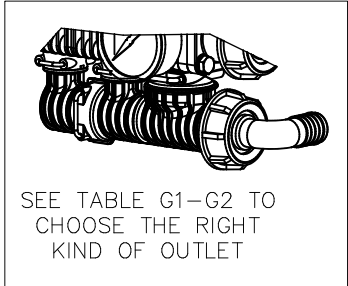
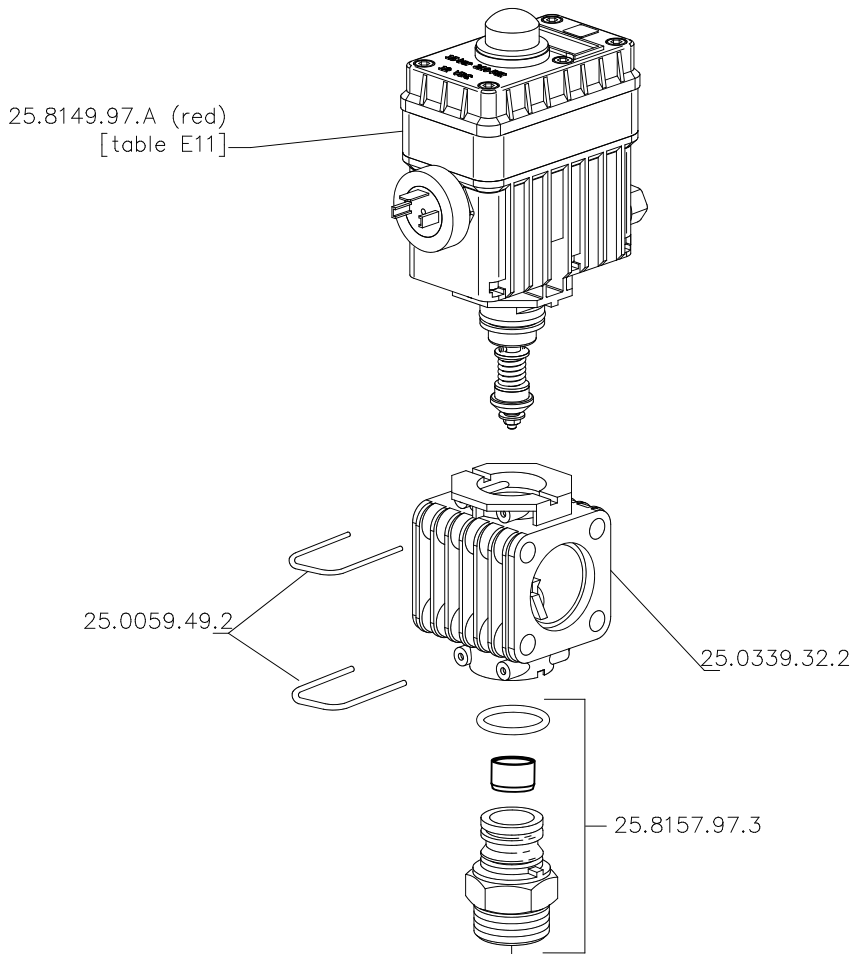
81.9028.97.3RF (280L/min 50 mesh)
 81.9029.97.3RF (280L/min 80 mesh)



Pressure relief valve low pressure

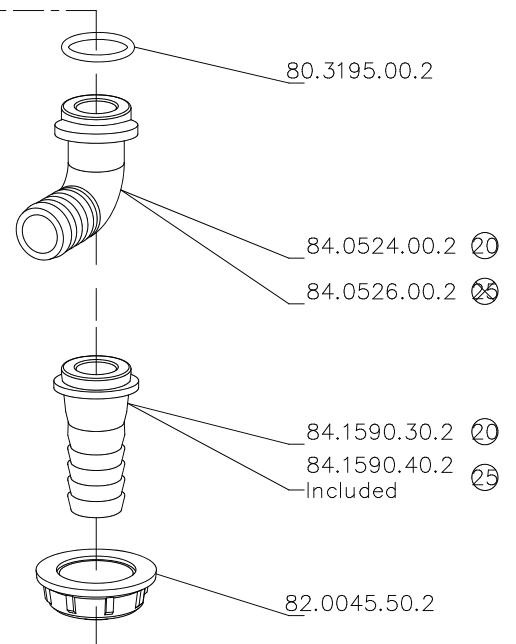
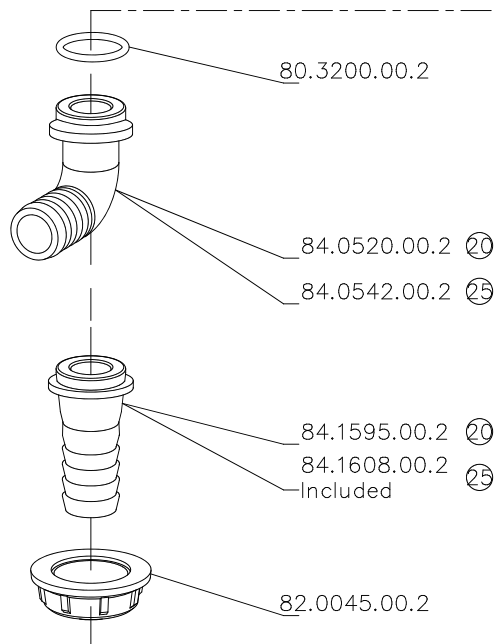
Use: **G1-G2**





Before june 2015

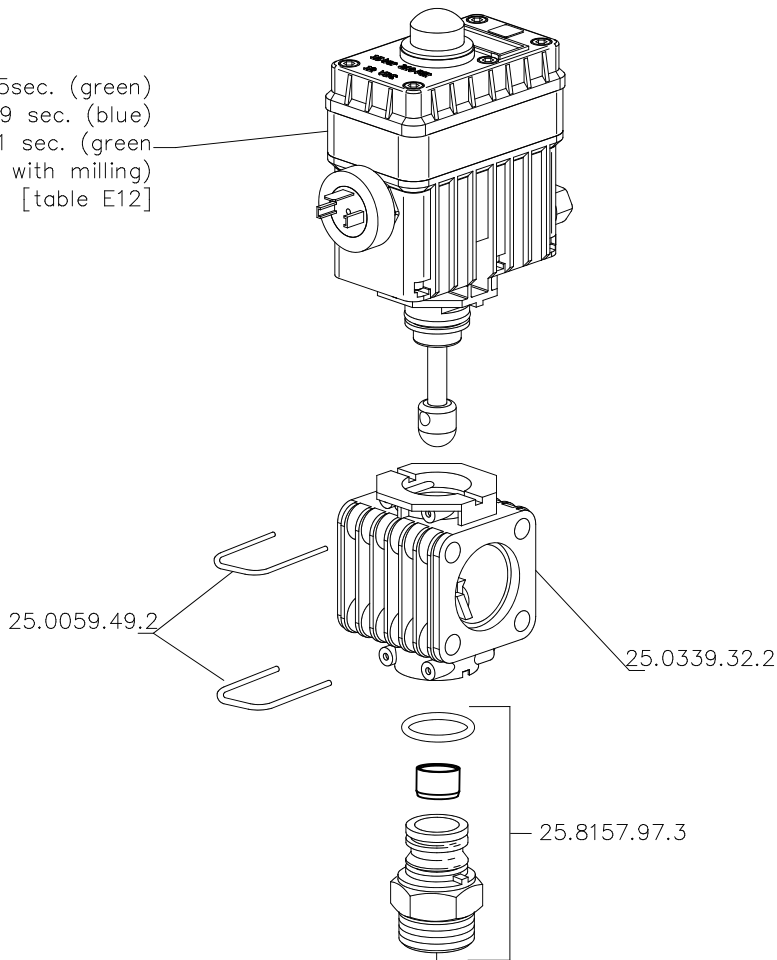
After june 2015



Motor powered volumetric valve (VPBPE)

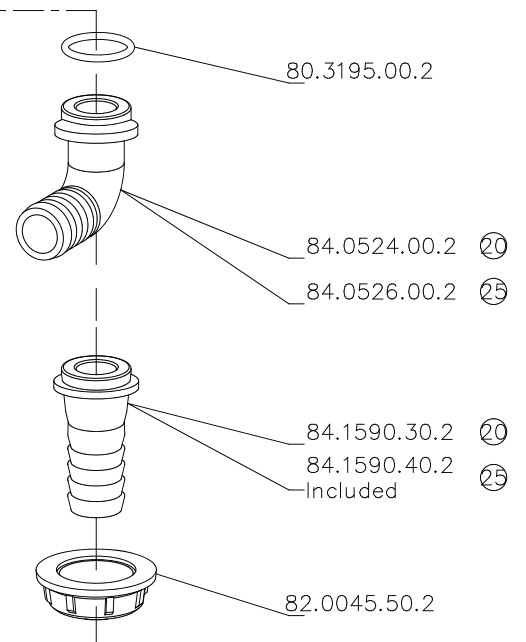
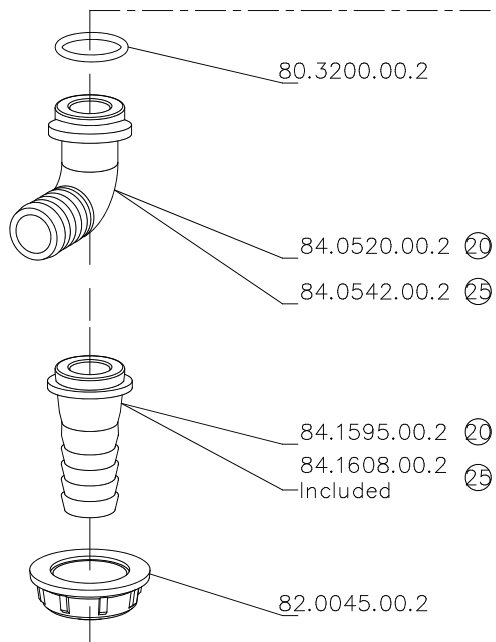
Use: **G1-G2**

- 25.8172.97.A -5sec. (green)
- 25.9998.97.A -9 sec. (blue)
- 25.9705.97.3 -21 sec. (green with milling) [table E12]



Before june 2015

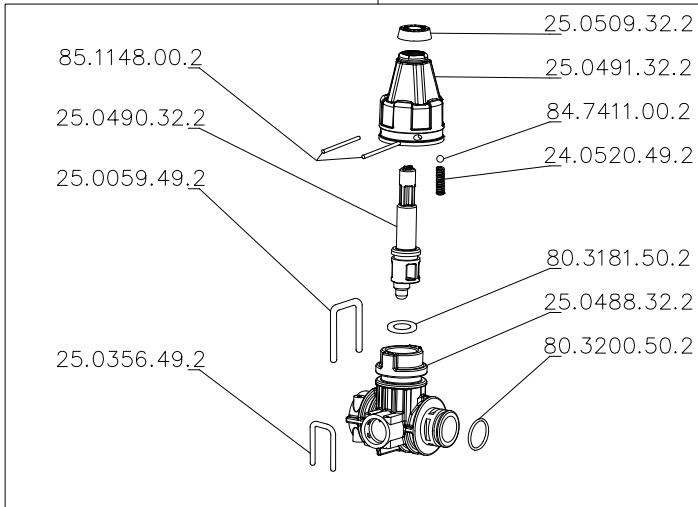
After june 2015



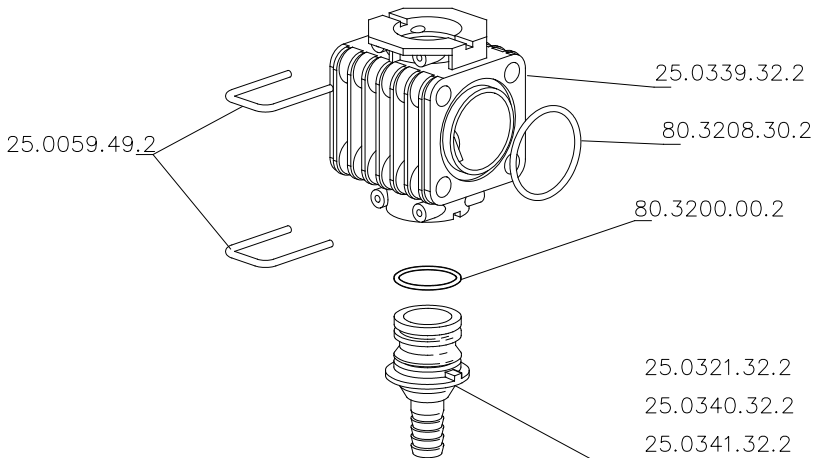
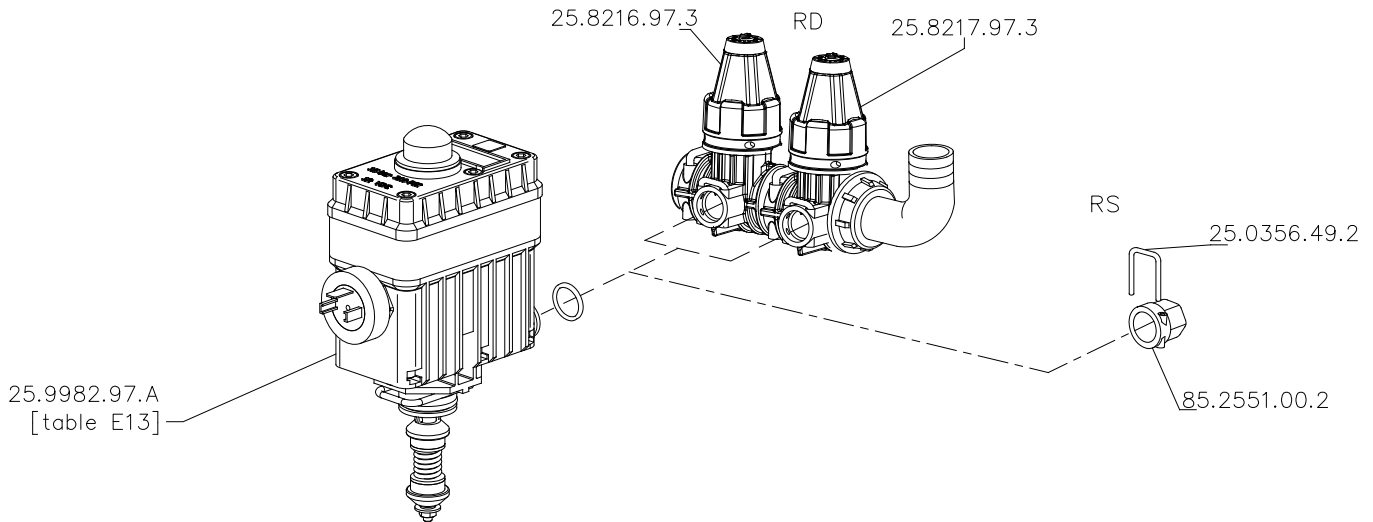
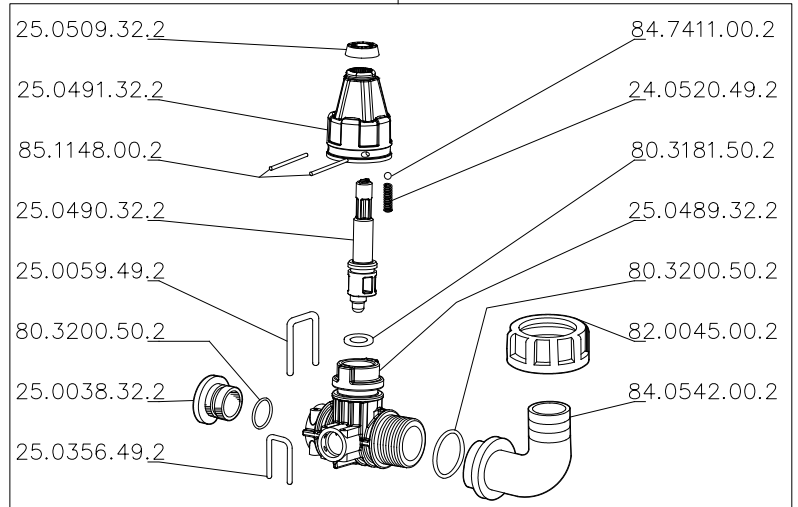
RS-RD motor powered valve

Use: **G1-G3**

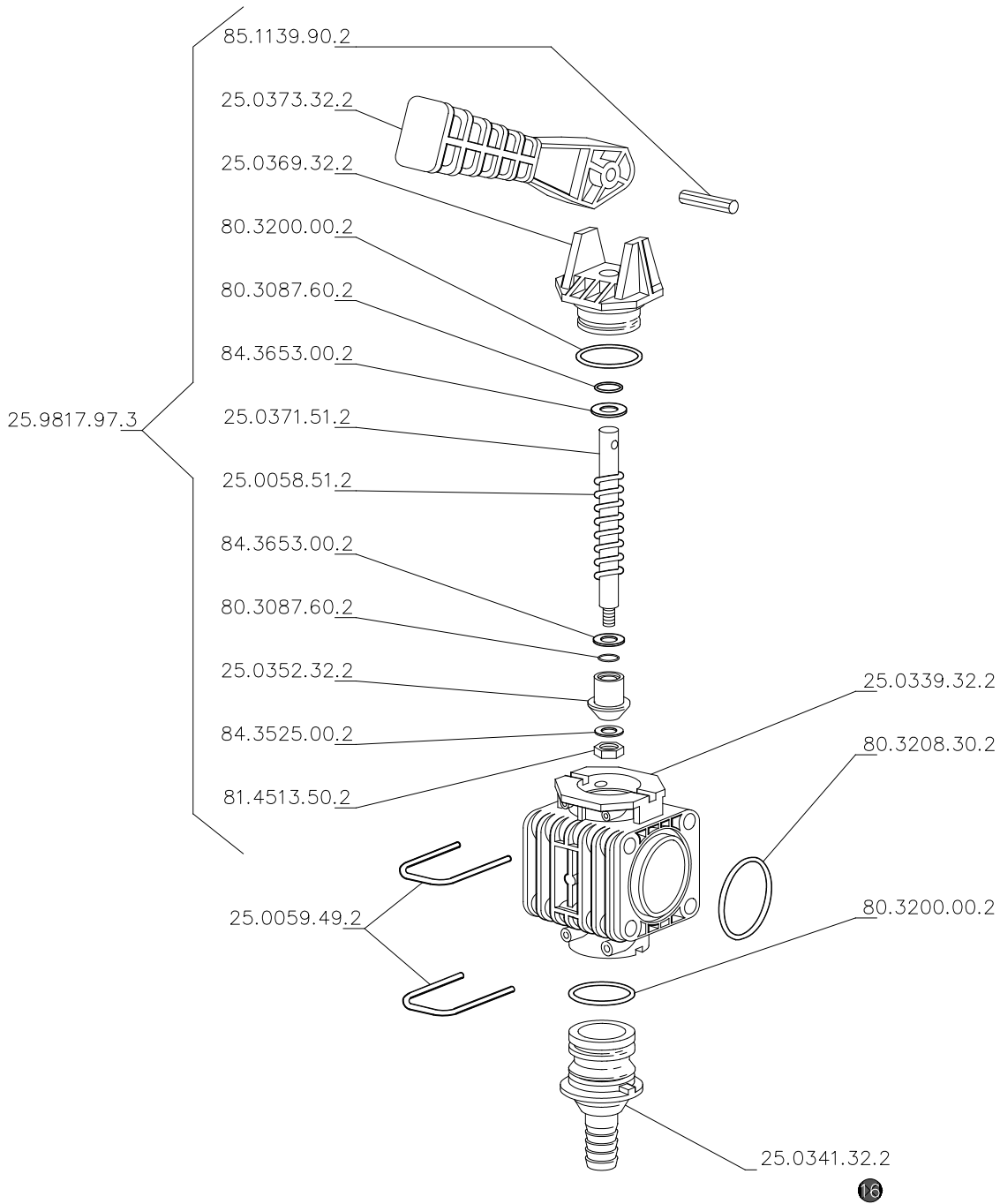
Kit by-pass
intermedio
25.8216.97.3
Intermediate by-pass kit

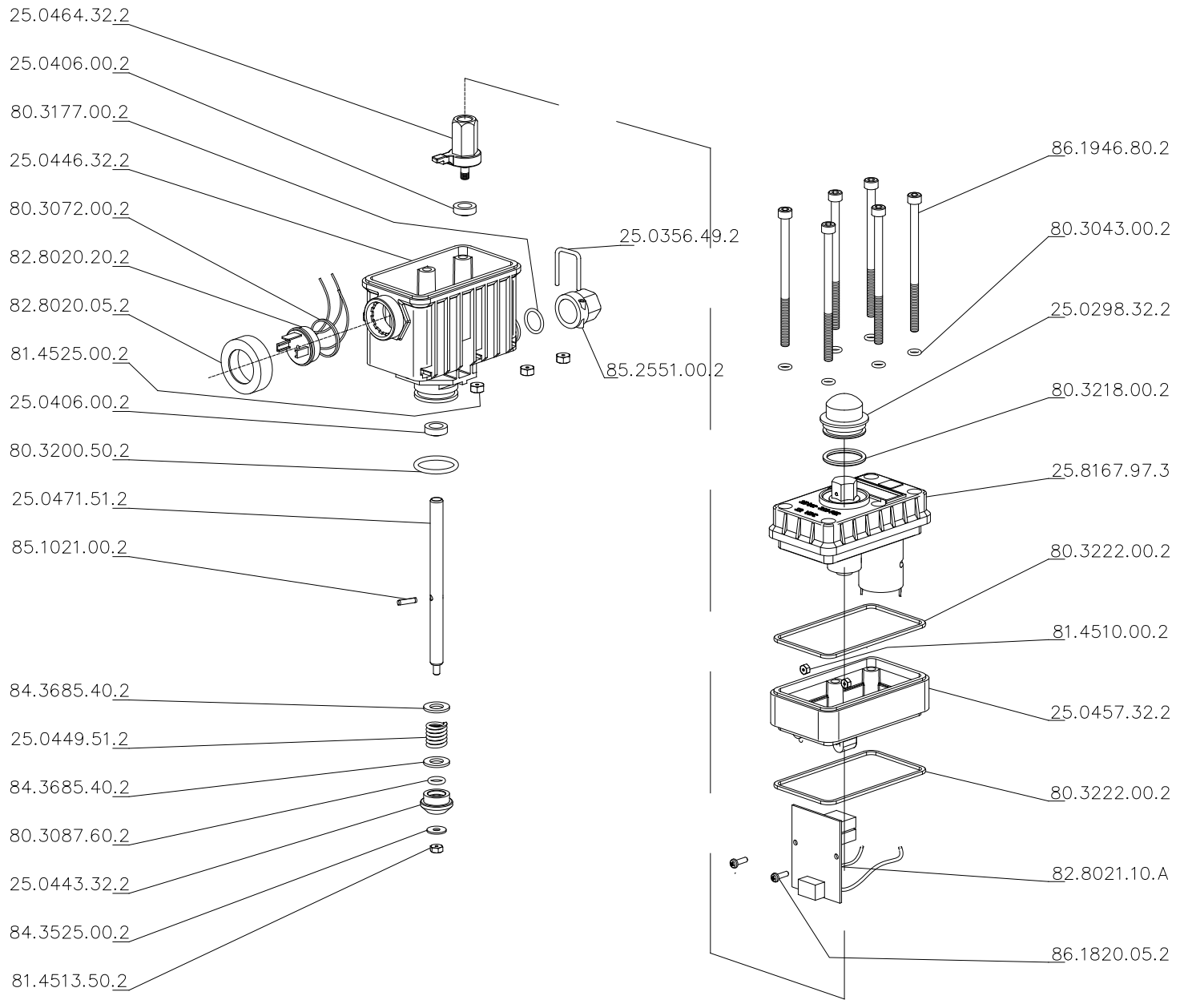


Kit by-pass
terminale
25.8217.97.3
Terminal by-pass kit

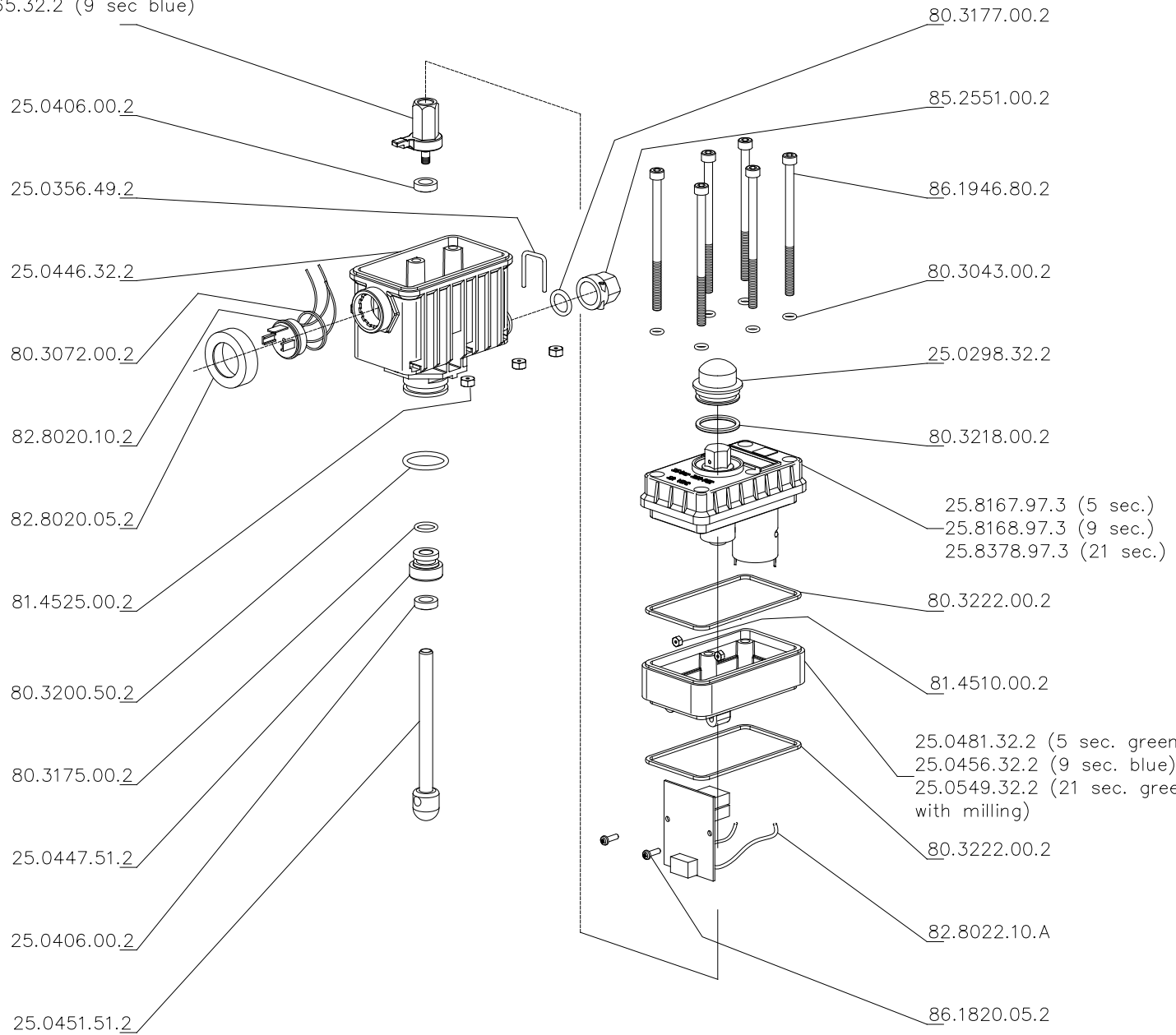


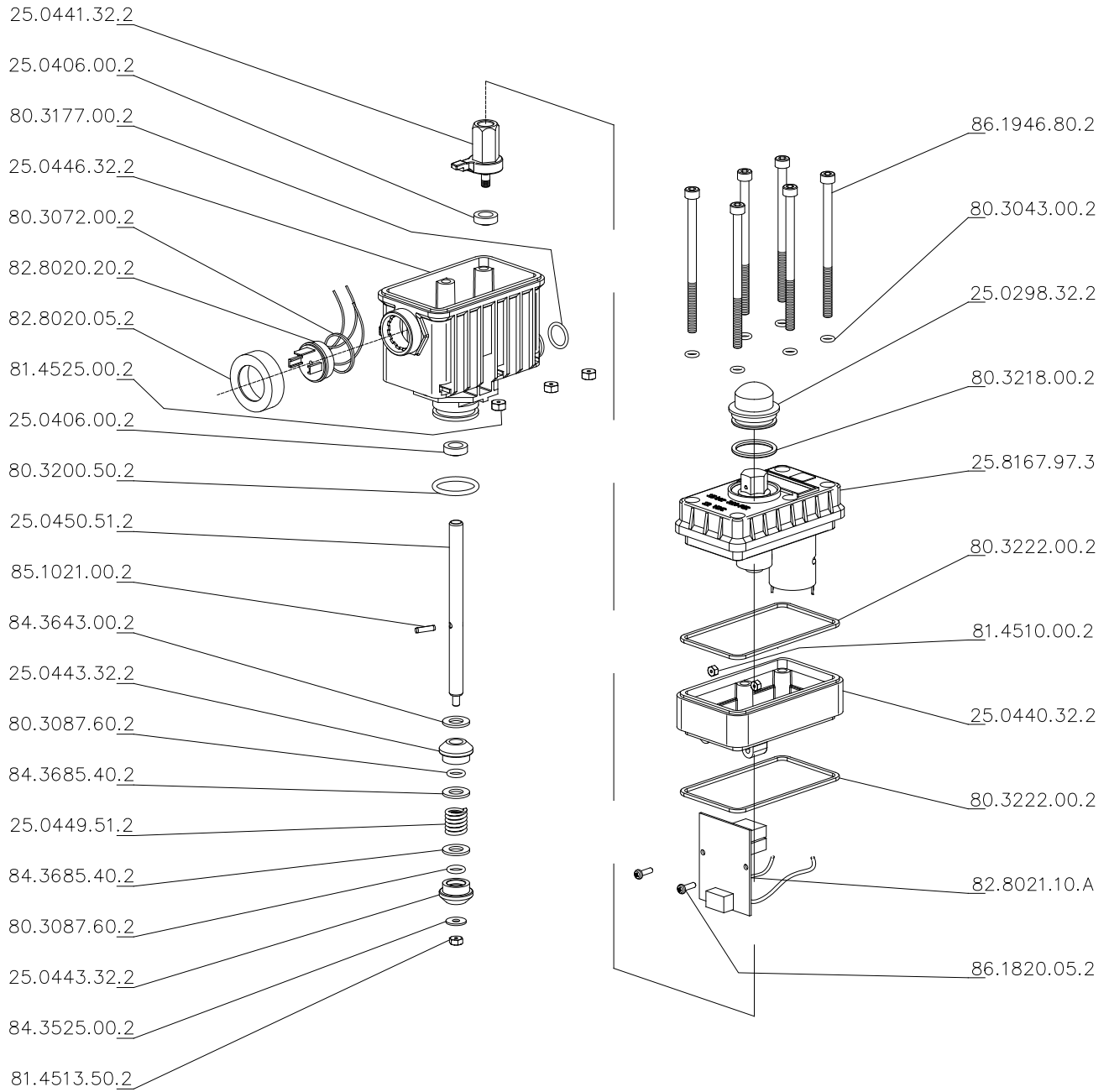
- 25.0321.32.2
- 25.0340.32.2
- 25.0341.32.2
- 25.0342.32.2
- 25.0367.32.2 (3/4 NPT F.)
- 25.8157.97.3 (1" GAS)





25.0482.32.2 (5-21 sec green)
25.0465.32.2 (9 sec blue)

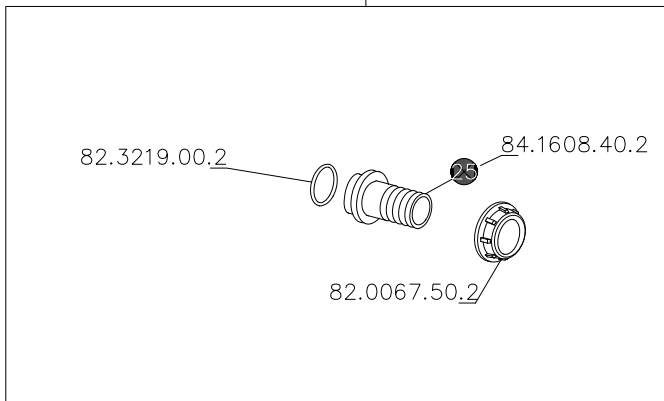




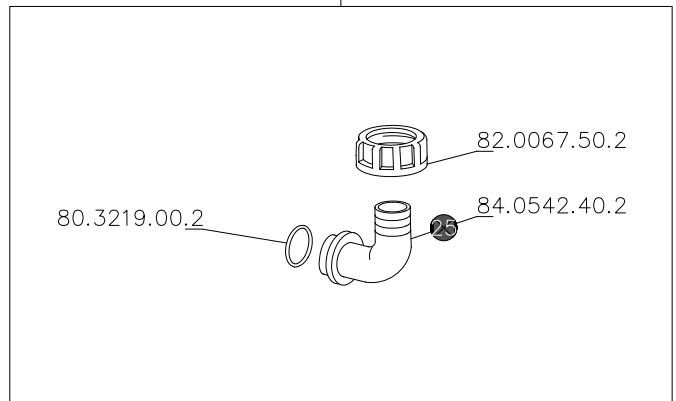
Inlet fitting kits

Use: **G1-G2**

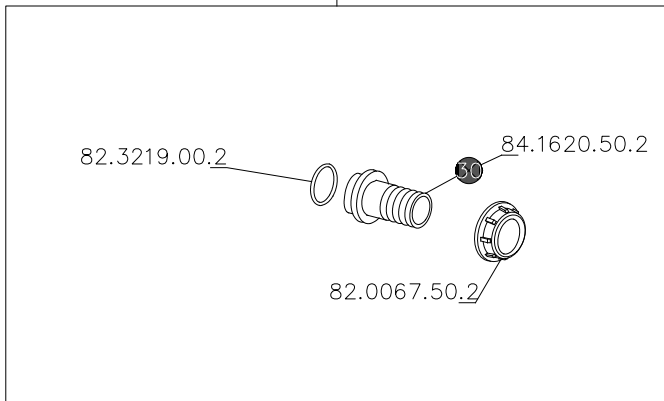
25.3047.97.3



25.3045.97.3



25.3048.97.3



25.3046.97.3

