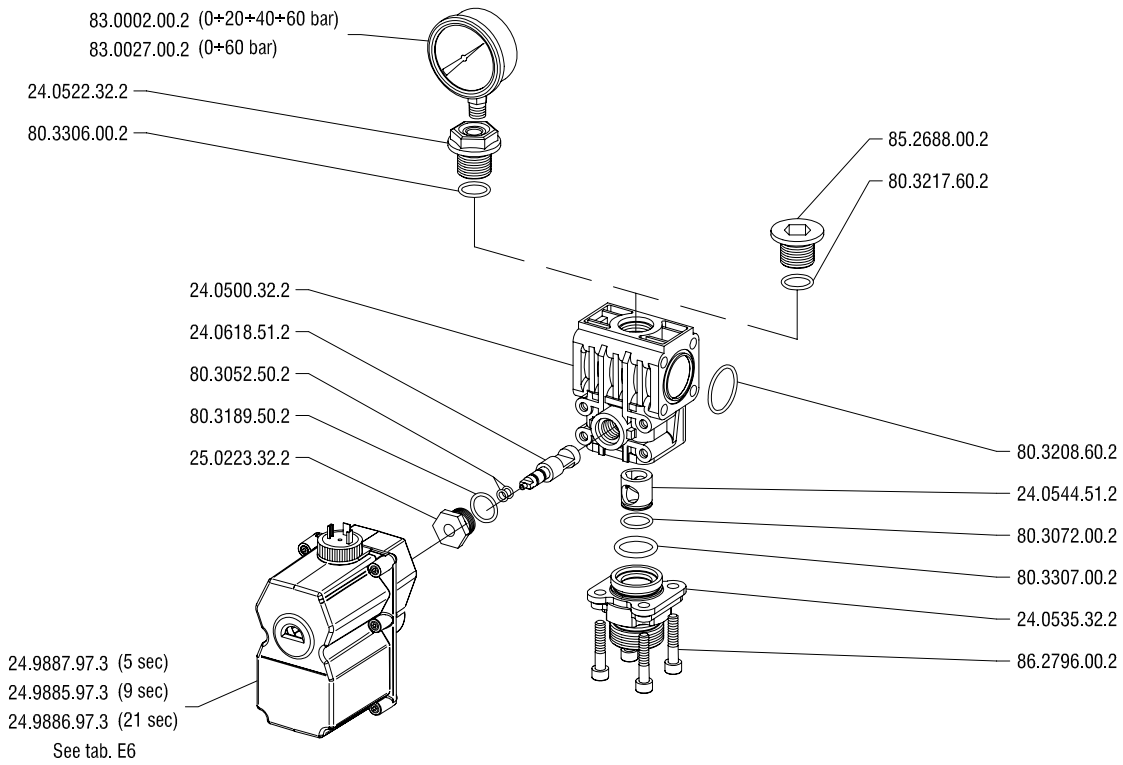
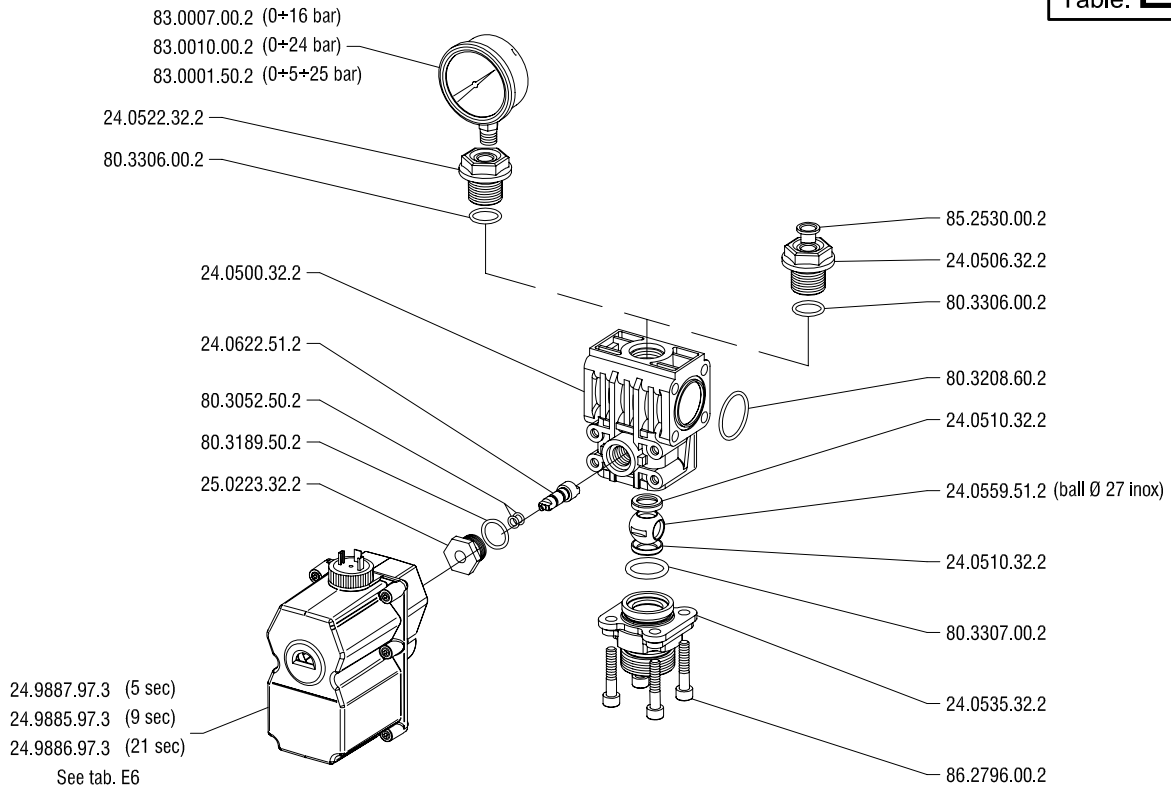
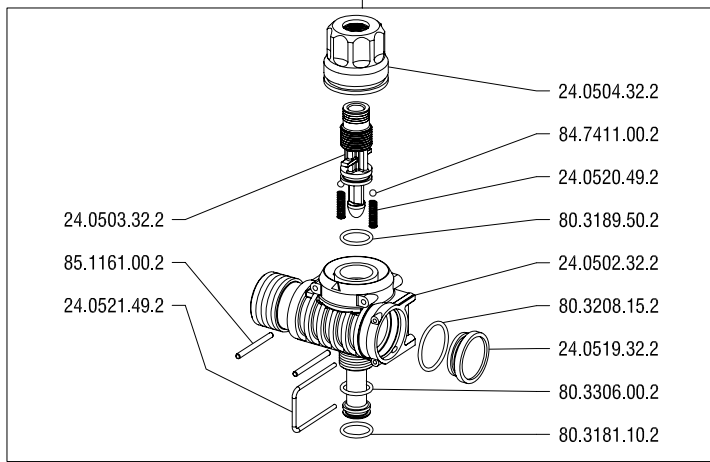


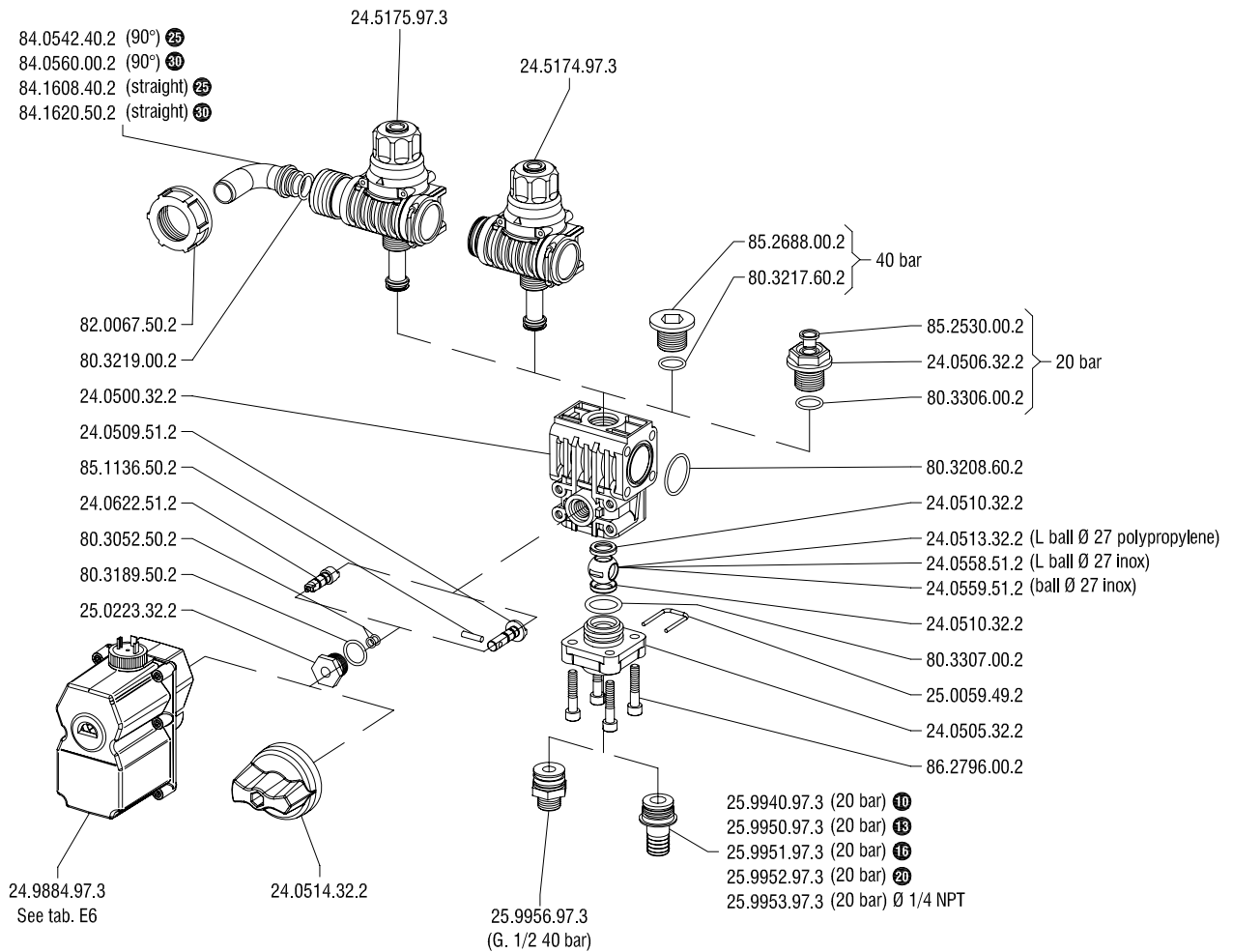
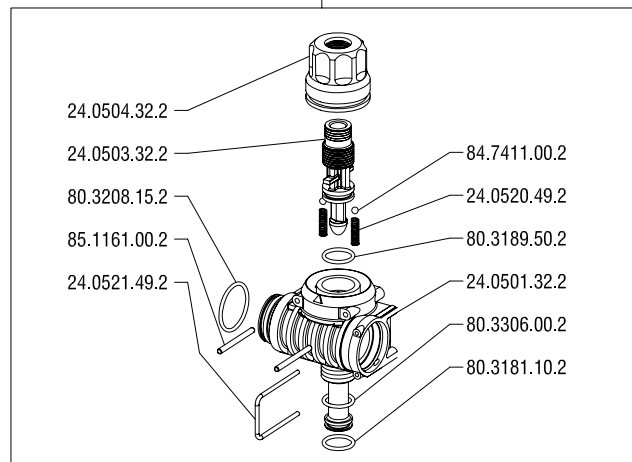
Volumetric valve



Kit by-pass terminale
24.5175.97.3
Terminal by-pass kit

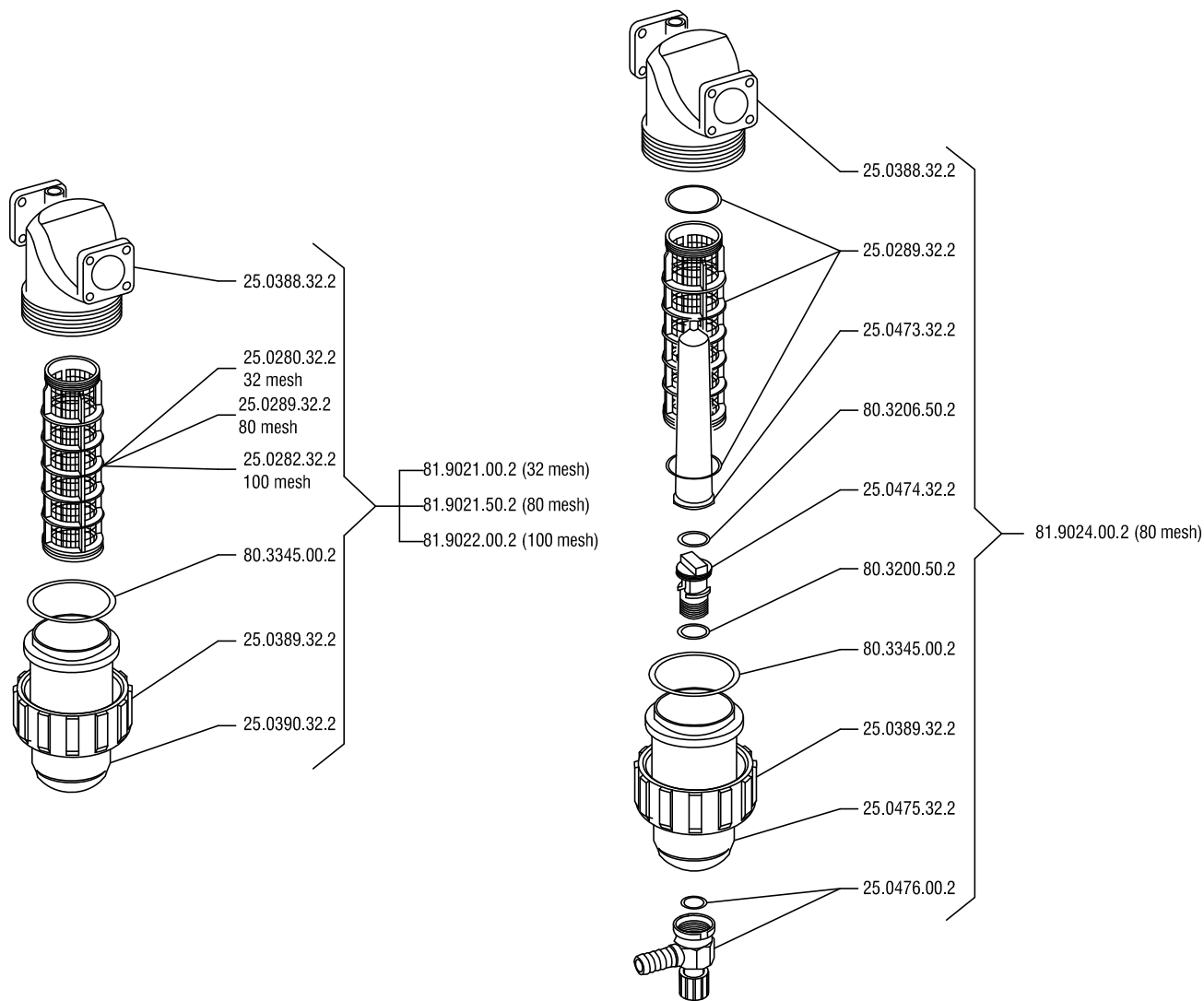


Kit by-pass intermedio
24.5174.97.3
Intermediate by-pass kit

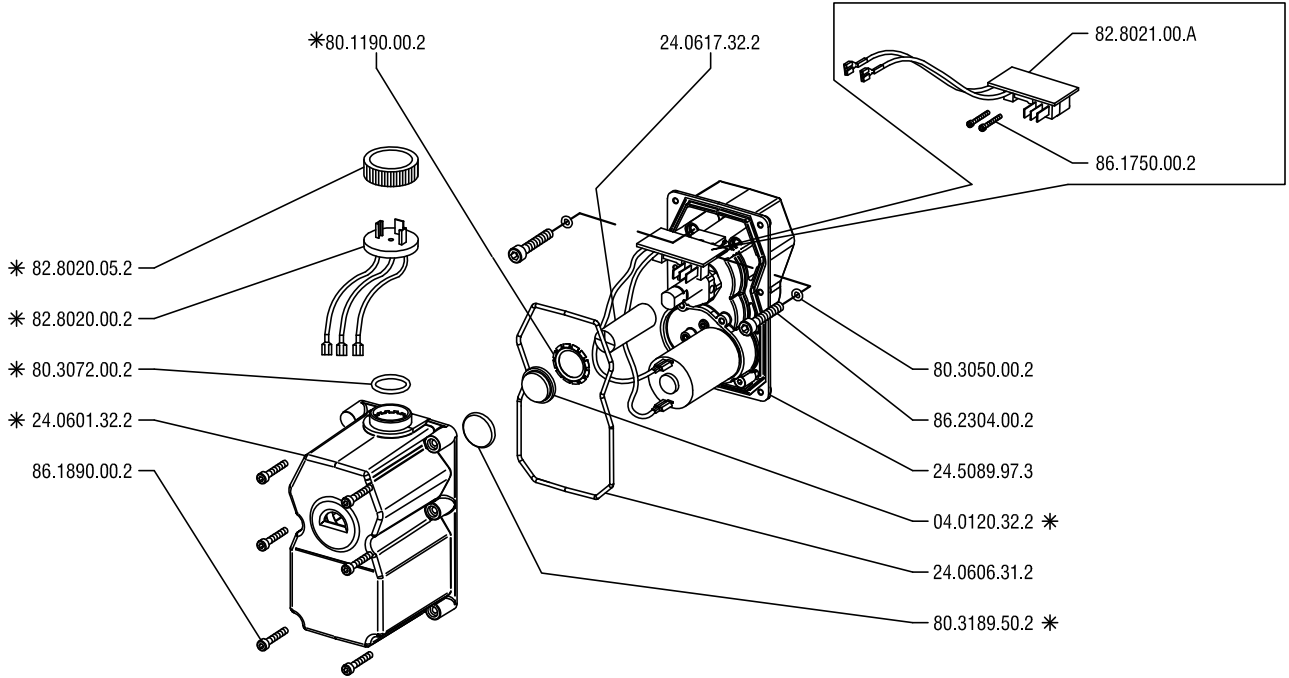


Standard

Selfcleaning

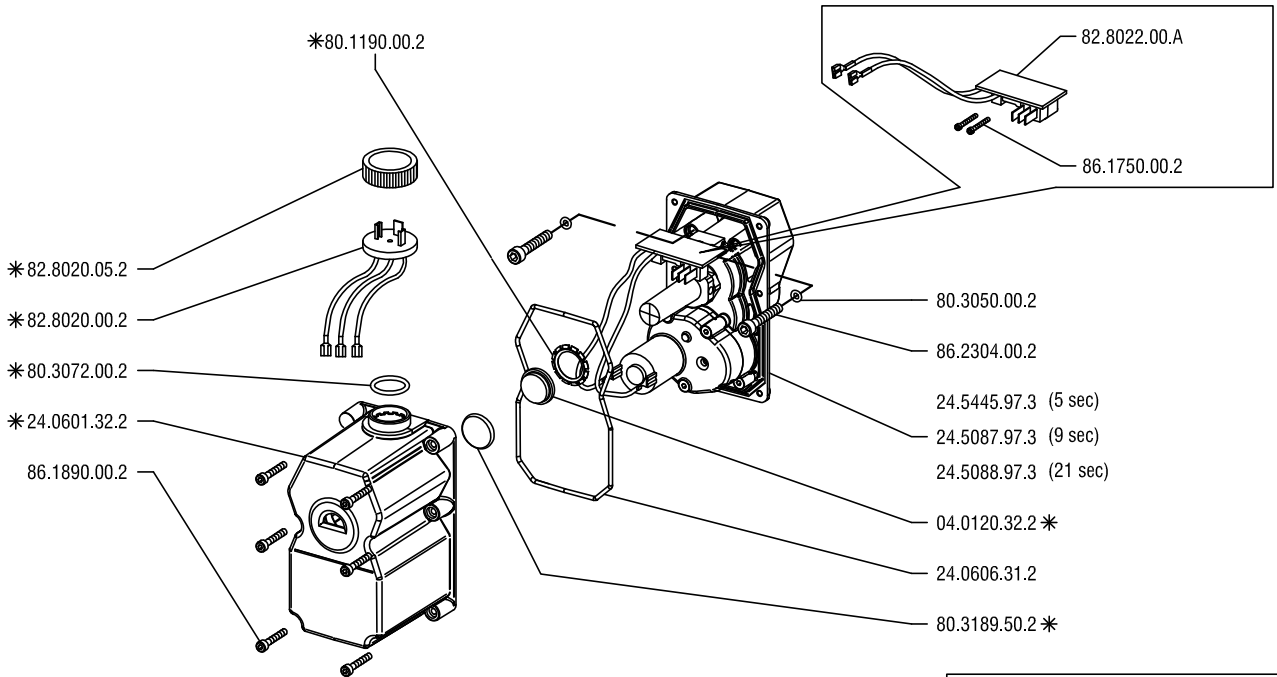


Fast (0,5 sec.)



* = 24.5173.97.3 Kit coperchio completo
Kit complete cover

Slow (5-9-21 sec.)



* = 24.5173.97.3 Kit coperchio completo
Kit complete cover