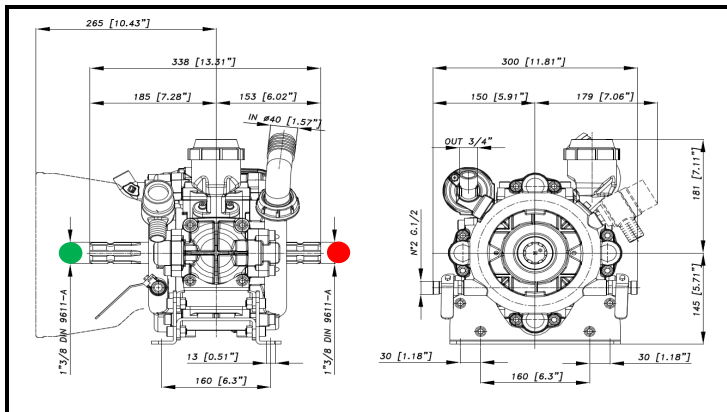
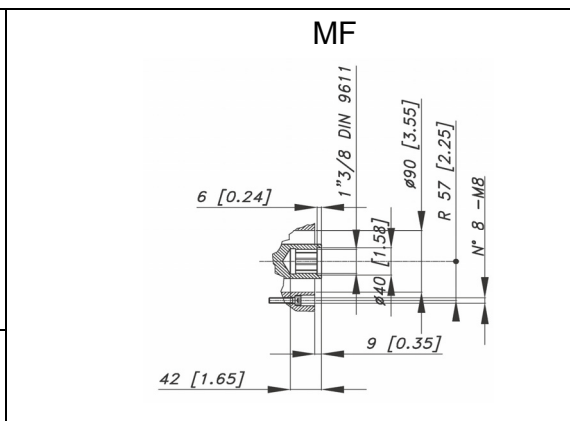
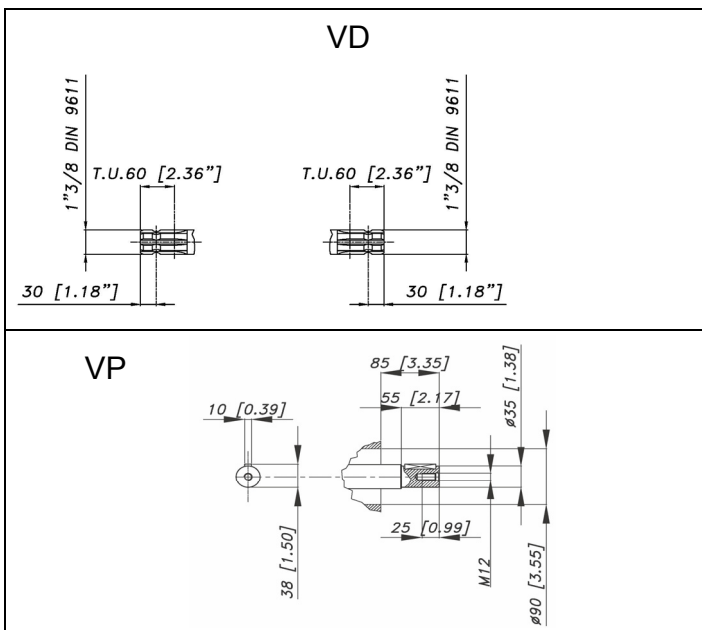




DIMENSIONI D'INGOMBRO - OVERALL DIMENSIONS



ALBERO POMPA - PUMP SHAFT



COPPIA DI SERRAGGIO - TORQUE CHART					
CODICE - CODE	Q.TY	POS	N-m	Lbr.ft	
23.0055.97.3	4	9	12	8,9	
86.2168.00.2	2	16	5	3,7	
86.3360.00.2	12	17	44	32,5	
86.3187.00.2	4	29	44	32,5	
86.3300.00.2	8	30	44	32,5	
86.1605.00.2	1	35	5 LOCTITE 542	3.8 LOCTITE 542	
86.4120.00.2	1	45	44	32,5	
86.2495.10.2	2	49	22	16,2	
86.3300.00.2	8	50	44	32,5	
85.2585.00.2	1	53	44	32,5	
86.3265.00.2	8	55	44	32,5	
86.3521.00.2	4	57	44	32,5	
85.2543.50.2	1	61	22	16,2	

Tolleranza di serraggio: 0/-10%
Tolerance on torque value: 0/-10%

INFORMAZIONI UTILI USEFUL INFORMATION				
LUBRIFICANTE- LUBRICANT: OLIO MOTORE O SEMIDRAULICO SAE 30 MOTOR OIL OR SEMI-HYDRAULIC OIL SAE 30				
PRESSIONE ACCUMULATORE ACCUMULATOR PRESSURE				
PRESSIONE DI LAVORO - OPERATING PRESSURE	2 + 5	5+10	10 + 20	20 + 50
ACCUMULATORE ACCUMULATOR	2	2 + 5	5 + 7	6 + 8

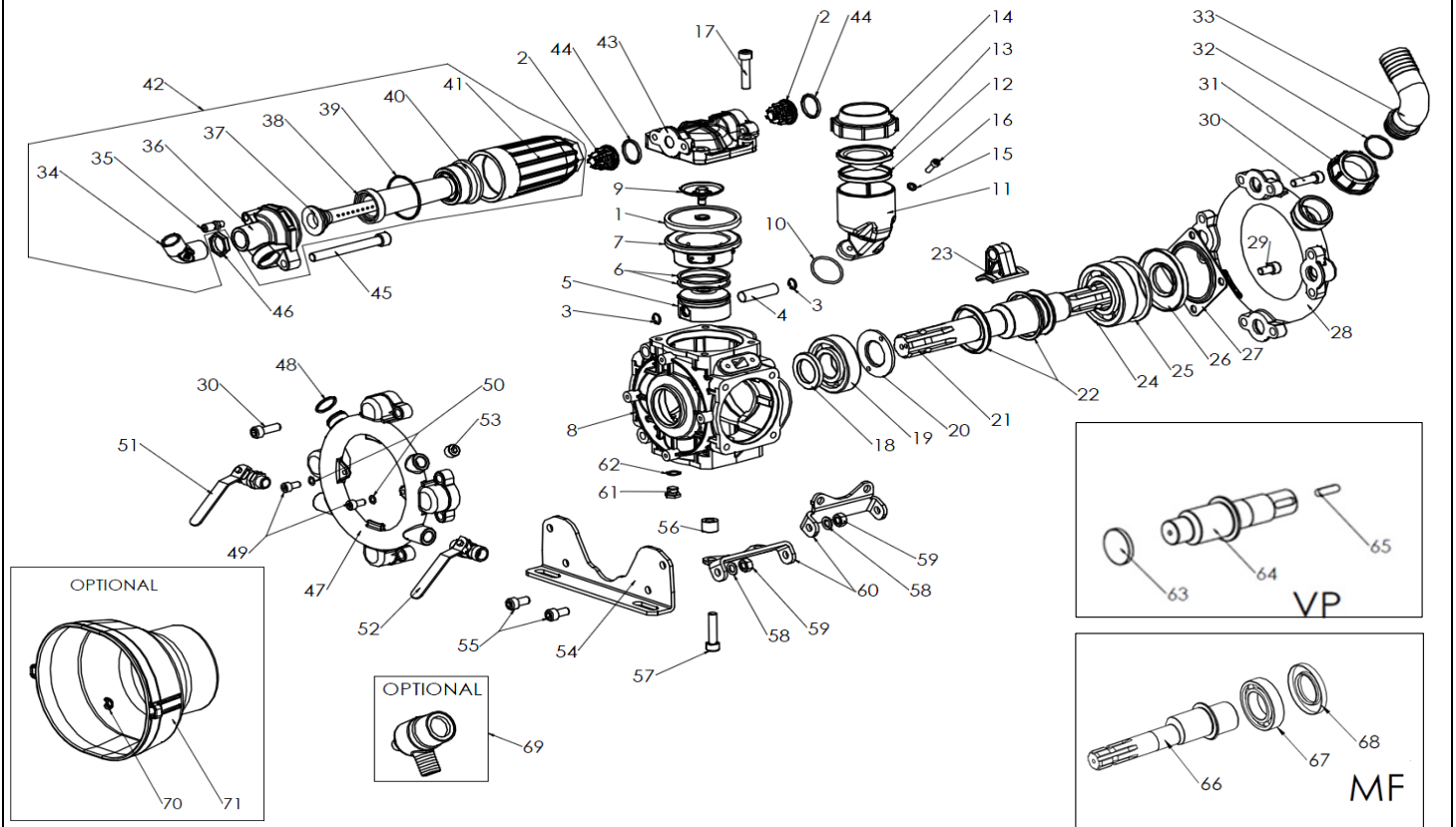
KIT MEMBRANE - DIAPHRAGMS KIT

KIT	36.9819.97.3				36.9820.97.3				36.9821.97.3					36.9822.97.3				36.9823.97.3			
	BUNA - N				DESMOPAN				VITON					HPS				PENTAX			
POSIZIONE ESPLOSO POSITION NUMBER	1	38	44	48	1	38	44	48	1	32	38	44	48	1	38	44	48	1	38	44	48
QUANTITA' NEL KIT QUANTITIES INCLUDED	4	1	8	1	4	1	8	1	4	1	1	8	1	4	1	8	1	4	1	8	1

KIT POMPA/KIT VALVOLE - PUMP KIT/VALVES KIT

KIT	36.9824.97.3						36.9825.97.3	36.9826.97.3						
	KIT POMPA VD-VP PUMP KIT VD							KIT POMPA MF PUMP KIT MF						KIT VALVOLE VALVES KIT
POSIZIONE ESPLOSO POSITION NUMBER	26	18	39	44	48	63	68	18	39	44	48	63	2	44
QUANTITA' NEL KIT QUANTITIES INCLUDED	1	1	1	8	1	1	1	1	1	8	1	1	8	8

IDB 1304 VD - VP - MF



POS.	CODICE PART NO. REF.	DENOMINAZIONE - DESCRIPTION - DESCRIPTION	Q.TY
1	230011312	PISTON DIAPHRAGM	4
1	230011332	PISTON DIAPHRAGM VITON (OPT.)	4
1	230011002	PISTON DIAPHRAGM DESMOPAN (OPT.)	4
1	230011362	PISTON DIAPHRAGM HPS (OPT.)	4
2	239906973	VALVE ASSY	8
3	800021002	RING DIA. 15	8
4	852007002	PISTON PIN	4
5	360105092	PISTON	4
6	818519002	PISTON RING	8
7	360106012	PISTON SLEEVE	4
8	360101092	CRANKCASE	1
9	230055973	DISK-DIAPHRAGM LOCKING BOLT KIT	4
10	803204002	O-RING 2,62x23,81	1
11	360113322	OIL FILLER	1
12	140116322	DIAPHRAGM SPACER	1
13	410017312	OIL FILLER DIAPHRAGM	1
14	280144322	OIL FILLER CAP	1
15	843585002	WASHER DIA. 6 UNI 6592	2
16	862168002	SCREW TCEI M6X22 UNI 5931	2
17	863360002	SCREW TCEI M10X40 UNI 5931	12
18	802143102	OIL SEAL 35X52X7	1
19	812867002	BEARING 35x80x2	1
20	360019612	SPACER	1
21	360107262	CRANKSHAFT "VD"	1
22	980047762	CONROD RING	2
23	360015112	CONROD	4
24	812913002	BEARING 40x90x23	1
25	801430002	RING DIA.90	1
26	802190052	OIL SEAL 40X90X8	1
27	170013612	SHEET	1
28	360104122	INLET MANIFOLD	1
29	863187002	SCREW TCEI M10X18 UNI 593	4
30	863300002	SCREW TCEI M10X30 UNI 5931	16
31	82007000A	WING NUT	1
32	803208102	O-RING 2,62x32,99	1
32	803208152	O-RING 2,62x32,99 (KIT VITON)	1
33	840591002	ELBOW CONNECTOR DIA. 40	1
34	835063282	60° ELBOW CONNECTOR G.3/4	1
35	861605002	AIR VALVE	1
36	360010282	BALLASTER BOARD	1
37	360013322	INSIDE TUBE BALLASTER	1
38	360007312	BALLASTER DIAPHRAGM	1

POS.	CODICE PART NO. REF.	DENOMINAZIONE - DESCRIPTION - DESCRIPTION	Q.TY
39	803210002	O-RING DIA. 2,62X56,82	1
40	360014092	DIAPHRAGM SPACER BALLASTER	1
41	360011092	TOP BALLASTER	1
42	369810973	BALLASTER KIT	1
43	360102282A	PUMP HEAD	4
44	803247502	O-RING DIA. 3,53X28,17	8
44	803247602	O-RING DIA. 3,53X28,17 (KIT VITON)	8
45	864120002	SCREW TCEI M12X110 UNI 5931	1
46	814909002	SPECIAL NUT G.3/4	1
47	360103122	OUTLET MANIFOLD	1
48	803204002	O-RING 2,62X23,81	1
48	803204502	O-RING 2,62X23,81 (KIT VITON)	1
49	862495102	SCREW TCEI M8X16 UNI 5931	2
50	843621002	WASHER D.8,4X17X1,6 UNI 6592	2
51	845544102	LEFT LAP	1
52	845544002	RIGHT LAP	1
53	852585002	CAP G.3/8	8
54	360110612	MOUNTING RAIL	2
55	863265002	SCREW TCEI M10X25 UNI 5931	8
56	360112482	SPACER	4
57	863521002	SCREW TCEI M10X60 UNI 5931	4
58	843799002	WASHER D. 10.2 UNI 1751	8
59	814644002	NUT M10 UNI 5587	8
60	360111612	MOUNTING RAIL BRACKET	4
61	852543502	CAP G.1/4X9	1
62	824079002	GASKET D.13,2X17X1	1
63	802099602	CAP	1
64	360109262	CRANKSHAFT "VP"	1
65	806578002	TAB 10X8X35	1
66	360108262	CRANKSHAFT "MF"	1
67	812969002	BEARING 50x90x20	1
68	802194102	OIL SEAL 50X90X8	1
69	243040973	SAFETY VALVE 40 bar (OPT.)	1
70	311966612	WASHER DIA. 8,5 (OPT.)	2
71	311482322	PLAIN SAFETY CONE (OPT.)	1