

- 48.0027.28.2 (x5)
- 80.3251.00.2 (x10) ○□
- 80.3251.50.2 (x10) (Viton) ■
- 35.9802.97.3 (x10) ○
- 80.3262.00.2 (x10) ○□
- 80.3262.50.2 (x10) (Viton) ■
- 35.0008.28.2 (x10)
- 86.3265.00.2 (x20)  
**(44Nm-32.5Lbft)**

- 86.3947.00.2 (x30)  
**(98Nm-72.3Lbft)**
- 49.9800.97.3 (x5)  
**(25Nm-18.5Lbft)**
- 95.0040.31.2 (x5) (std.) (Buna-N) ■
- 95.0040.00.ADS (x5) (Duramax) ▲
- 95.0040.00.A (x5) (Desmopan) ●
- 95.0040.33.2 (x5) (Viton) ■
- 95.0040.36.2 (x5) (HPS) ▼
- 95.0040.37.2 (x5) (Pentax) ◆

**Accumulatore di pressione/pressure damper (optional)  
48.9802.97.2 (al.) / 48.9817.97.3 (ot./brass)**

- 86.2785.00.2 (x10) (al.)
- 86.2694.00.2 (x10) (ot./brass)  
**(22Nm-16.3Lbft)**
- 84.3685.00.2 (x20)
- 93.0041.31.2
- 93.0041.36.2 (HPS)
- 93.0041.33.2 (Viton)
- 48.0021.28.2
- 81.4575.00.2 (x10)
- 86.1608.50.2 (al.)
- 86.1605.00.2 (ot./brass)
- 93.0003.09.2 (al.)
- 48.0033.28.2 (ot./brass)
- 80.3200.00.2
- 80.3200.50.2 (Viton)

- 28.0144.32.2
- 41.0017.31.2
- 41.0016.32.2
- 80.3209.40.2
- 41.0015.09.0
- 80.3205.50.2
- 86.2562.00.2 (x2)  
**(22Nm-16.3Lbft)**
- 49.0019.08.2
- 80.3180.00.2

- 80.3204.00.2 (x5) ■▲●▼◆□
- 80.3204.50.2 (x5) (Viton) ■

- 82.0121.00.2 (ottone/brass)
- 82.0120.00.2 (plast.) (opt.)
- 84.0592.00.2 (ottone/brass)
- 84.0590.00.2 (plast.) (opt.)

- 49.0012.11.2 (x5)
- 85.2693.53.2
- 14.0015.76.2 (x2)
- 80.3189.00.2 □
- 80.3189.50.2 (Viton) ■

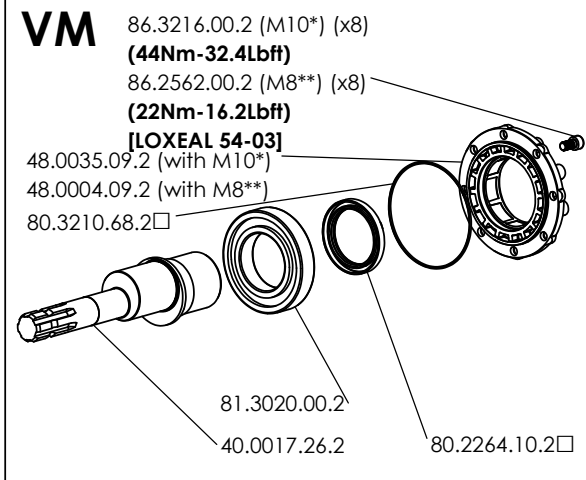
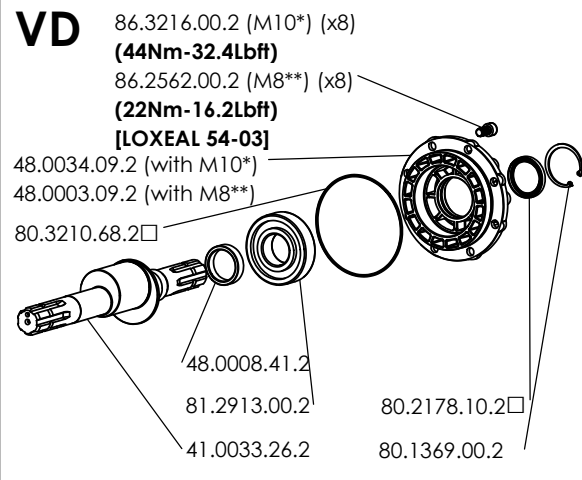
- 49.0003.12.2
- 49.0030.09.2 (for M10)\*
- 49.0023.09.2 (for M8)\*\*

- 80.3265.00.2
- 80.3265.50.2 (Viton) ■
- 80.3209.10.2 (opt.)

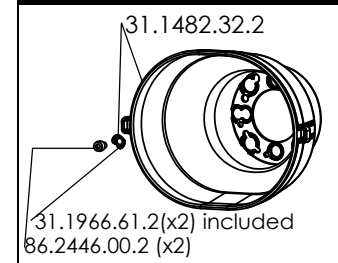
- 83.5063.28.0
- 84.5544.10.2
- 85.2579.53.2
- 82.4109.00.2
- 49.0004.12.2
- 49.0021.53.2 (x2)
- 84.5544.00.2
- 86.3694.50.2  
**(40Nm-29.5Lbft)**
- 49.0011.01.2
- 81.2876.00.2
- 80.2143.10.2 □
- 80.1369.00.2
- 82.4066.00.2

- 81.4706.00.2 (x7)
- 49.0029.75.2 (x4)
- 49.0028.61.2 (x2)
- 86.4139.00.2 (x7)  
**(68Nm-50Lbft)**  
**[LOXREAL 83-54]**

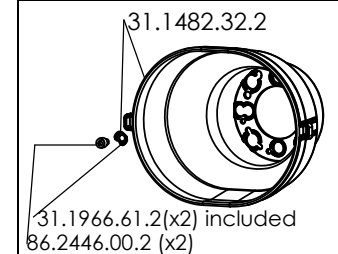
\*dal/from 06/17  
\*\*fino al/before 06/17



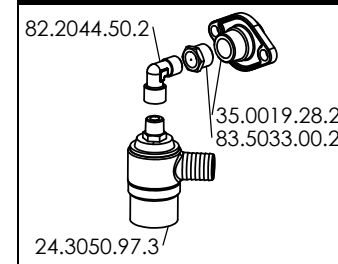
**OPTIONAL FRONT**



**REAR**



**SAFETY VALVE**



\*dal/from 06/17  
 \*\*fino al/before 06/17

MATERIALE - MATERIAL	KIT MEMBRANE - DIAPHRAGMS KIT						KIT VALVOLE - VALVES KIT			KIT POMPA - PUMP KIT	
	BUNA-N	DURAMAX	DESMOPAN	HPS	PENTAX	VITON	/			VD-VM	
STD. - OPT.	STD.	OPT.	OPT.	OPT.	OPT.	OPT.	STD.				
CODICE - CODE	49.9808.97.3	49.9809.97.3DS	49.9809.97.3	49.9811.97.3	49.9812.97.3	49.9810.97.3	49.9806.97.3			49.9805.97.3	
COMPONENTI COMPONENTS	■	▲	●	▼	◆	■	○			□	

INFORMAZIONI UTILI - USEFUL INFORMATION				
OLIO - OIL	OLIO MOTORE O SEMIIDRAULICO SAE 30 MOTOR OIL OR SEMI-HYDRAULIC OIL			
PRESSIONE DI LAVORO OPERATING PRESSURE	2 ÷ 5	5÷10	10 ÷ 20	20 ÷ 50
ACCUMULATORE	2	2÷5	5÷7	6÷8