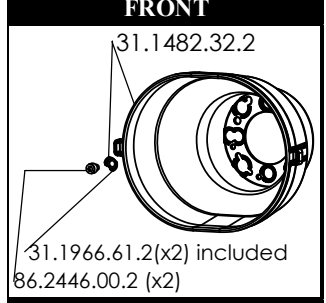
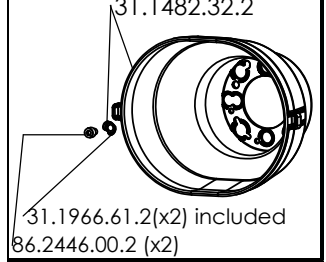


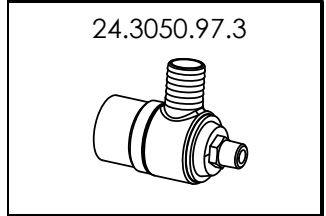
**OPTIONAL FRONT**



**REAR**



**SAFETY VALVE**



	KIT MEMBRANE - DIAPHRAGMS KIT				KIT VALVOLE -VALVES KIT			KIT POMPA - PUMP KIT		
MATERIALE - MATERIAL	BUNA-N	DURAMAX	PENTAX	VITON	/			VD		
STD. - OPT.	STD.	OPT.	OPT.	OPT.	STD.					
CODICE - CODE	51.9803.97.3	51.9804.97.3	51.9806.97.3	51.9805.97.3	51.9808.97.3			51.9807.97.3		
COMPONENTI COMPONENTS	■	▲	◆	■	○			□		

INFORMAZIONI UTILI - USEFUL INFORMATION				
OLIO - OIL	OLIO MOTORE O SEMIIDRAULICO SAE 30 MOTOR OIL OR SEMI-HYDRAULIC OIL			
PRESSIONE DI LAVORO OPERATING PRESSURE	2 ÷ 5	5÷10	10 ÷ 20	20 ÷ 50
ACCUMULATORE	2	2 ÷ 5	5 ÷ 7	6 ÷ 8