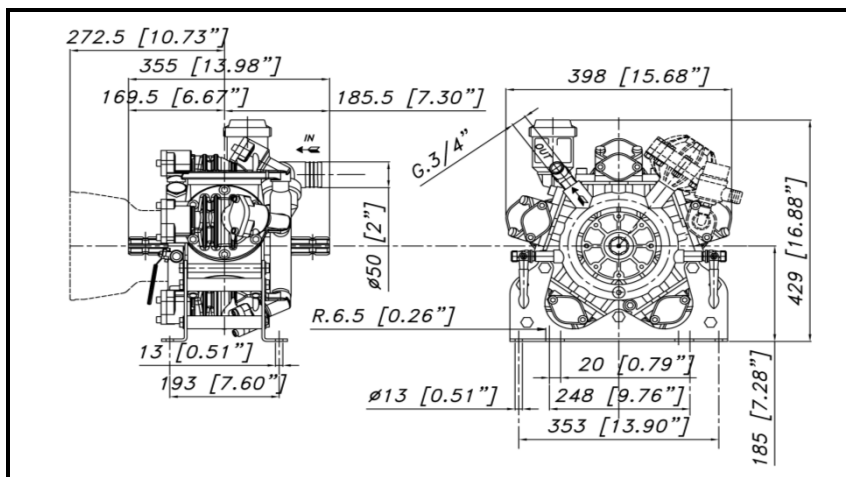
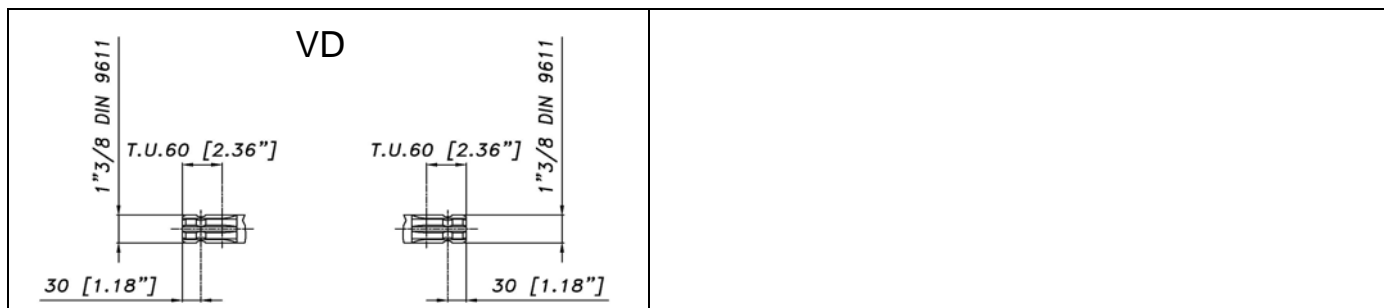


DIMENSIONI D'INGOMBRO - OVERALL DIMENSIONS



ALBERO POMPA - PUMP SHAFT



| COPPIA DI SERRAGGIO - TORQUE CHART | | | | | |
|--|------|-------|--------|--------|--|
| CODICE - CODE | Q.TY | POS | N.m | Lbr.ft | |
| 41.9835.97.3 | 5 | 10 | 25 | 18,5 | |
| 86.3265.00.2 | 20 | 6 | 44 | 32,5 | |
| 86.2562.00.2 | 2 | 36-53 | 22 | 16,3 | |
| 86.4139.00.2 | 3 | 48 | 68 | 50 | |
| 86.3947.00.2 | 30 | 8 | 98 | 72,3 | |
| 86.3216.00.2 | 8 | 36 | 44 | 32,5 | |
| Tolleranza di serraggio: Tolerance on torque value: | | | 0/-10% | | |

| INFORMAZIONI UTILI USEFUL INFORMATION | | | | |
|--|-------|-------|---------|---------|
| LUBRIFICANTE- LUBRICANT: | | | | |
| OLIO MOTORE O SEMIIDRAULICO SAE 30 MOTOR OIL OR SEMI-HYDRAULIC OIL SAE 30 | | | | |
| PRESSIONE ACCUMULATORE ACCUMULATOR PRESSURE | | | | |
| PRESSIONE DI LAVORO - OPERATING PRESSURE | 2 ÷ 5 | 5÷10 | 10 ÷ 20 | 20 ÷ 50 |
| ACCUMULATORE ACCUMULATOR | 2 | 2 ÷ 5 | 5 ÷ 7 | 6 ÷ 8 |

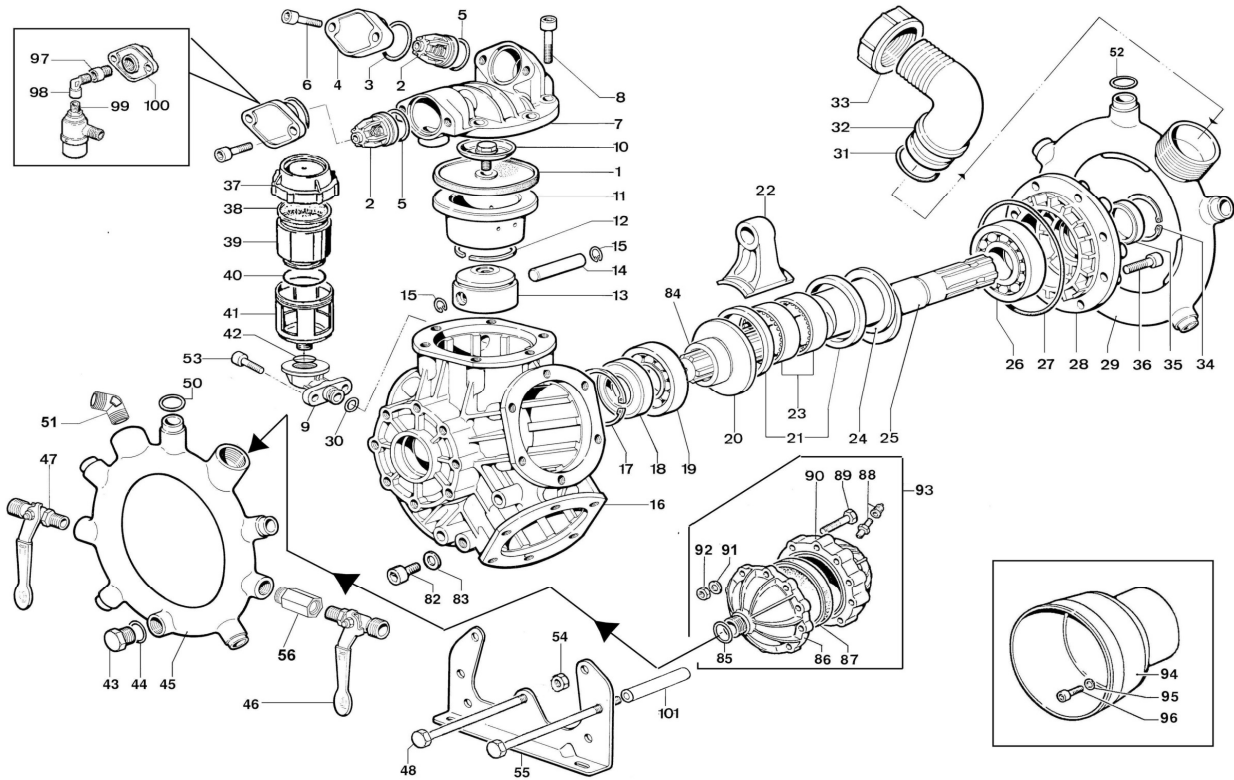
KIT MEMBRANE - DIAPHRAGMS KIT

| KIT | BUNA - N | | | DESMPAN | VITON | | | | | | PENTAX | | | | |
|--|--------------|----|----|--------------|--------------|----|----|----|----|----|--------------|----|----|---|----|
| | 1 | 50 | 52 | | 1 | 50 | 52 | 5 | 3 | 31 | | 85 | 87 | 1 | 50 |
| POSIZIONE ESPLOSO POSITION NUMBER | 49.9805.97.3 | | | 49.9809.97.3 | 49.9823.97.3 | | | | | | 49.9812.97.3 | | | | |
| QUANTITA' NEL KIT QUANTITIES INCLUDED | 5 | 5 | 5 | 5 | 5 | 5 | 5 | 10 | 10 | 1 | 1 | 1 | 5 | 5 | 5 |

KIT POMPA/KIT VALVOLE - PUMP KIT/VALVES KIT

| KIT | KIT POMPA VD PUMP KIT VD | | | | | | | KIT VALVOLE VALVES KIT | | |
|--|-----------------------------|----|----|----|----|----|----|---------------------------|----|----|
| | 3 | 5 | 18 | 27 | 35 | 50 | 52 | | 2 | 3 |
| POSIZIONE ESPLOSO POSITION NUMBER | 49.9805.97.3 | | | | | | | 49.9806.97.3 | | |
| QUANTITA' NEL KIT QUANTITIES INCLUDED | 10 | 10 | 1 | 1 | 1 | 7 | 5 | 10 | 10 | 10 |

IDB 1600 - 1800 - 2000



| POS. | CODICE PART NO. REF. | DENOMINAZIONE - DESCRIPTION - DESCRIPTION | Q.TY | POS. | CODICE PART NO. REF. | DENOMINAZIONE - DESCRIPTION - DESCRIPTION | Q.TY |
|------|----------------------------|--|------|------|----------------------------|--|------|
| 1 | 95.0040.31.2 | PISTON DIAPHRAGM | 5 | 35 | 80.2178.10.2 | OIL SEAL | 1 |
| 1 | 95.0040.33.2 | PISTON DIAPHRAGM VITON (OPT.) | 5 | 36 | 86.2562.00.2 | SCREW M8x20 (before 11/2017) | 8 |
| 1 | 95.0040.00.2 | PISTON DIAPHRAGM DESMOPAN (OPT.) | | 36 | 86.3216.00.2 | SCREW M10x20 (after 11/2017) | 8 |
| 1 | 95.0040.36.2 | PISTON DIAPHRAGM HPS (OPT.) | 5 | 37 | 28.0144.32.2 | OIL FILLER CAP | 1 |
| 2 | 35.9802.97.3 | VALVE ASSY | 5 | 38 | 41.0017.31.2 | OIL FILLER DIAPHRAGM | 1 |
| 3 | 80.3262.00.2 | O-RING 3,53x41,28 | 10 | 39 | 41.0016.32.2 | OIL FILLER | 1 |
| 3 | 80.3262.50.2 | O-RING 3,53x41,28 (KIT VITON) | 10 | 40 | 80.3209.40.2 | O-RING 2,62x44,12 | 1 |
| 4 | 35.0008.28.2 | BRASS VALVE COVER | 10 | 41 | 41.0015.09.0 | BOWL OIL FILLER | 1 |
| 5 | 80.3251.00.2 | O-RING 3,53x32,93 | 10 | 42 | 80.3205.50.2 | O-RING 2,62x26,65 | 1 |
| 5 | 80.3251.50.2 | O-RING 3,53x32,93 (KIT VITON) | 10 | 43 | 85.2579.00.2 | CAP G.3/8 | 1 |
| 6 | 86.3265.00.2 | SCREW M10x25 | 10 | 44 | 82.4109.00.2 | GASKET DIA.17x22x1 COPPER | 1 |
| 7 | 48.0027.28.2 | PUMP HEAD | 20 | 45 | 49.0004.12.2 | OUTLET MANIFOLD | 1 |
| 8 | 86.3947.00.2 | SCREW M12X40 | 5 | 46 | 84.5544.00.2 | RIGHT TAP G.3/8-G.1/2 | 1 |
| 9 | 49.0019.08.2 | OIL FILLER COUPLING | 30 | 47 | 84.5544.10.2 | LEFT TAP G.3/8-G.1/2 | 1 |
| 10 | 41.9835.97.3 | DISK-DIAPHRAGM LOCKING BOLT KIT | 1 | 48 | 86.4139.00.2 | SCREW M12x160 | 7 |
| 11 | 41.0026.01.2 | PISTON SLEEVE (IDB 1600) | 5 | 50 | 80.3189.00.2 | O-RING 2,62x18,72 | 6 |
| 11 | 43.0015.01.2 | PISTON SLEEVE (IDB 1800) | 5 | 50 | 80.3189.50.2 | O-RING 2,62x18,72 (KIT VITON) | 6 |
| 11 | 48.0029.01.2 | PISTON SLEEVE (IDB 2000) | 5 | 51 | 83.5063.28.2 | CONNECTOR 60° G 3/4" M-M | 1 |
| 12 | 81.8524.00.2 | PISTON RING (IDB 1600) | 5 | 52 | 80.3204.00.2 | O-RING 2,62x23,81 | 5 |
| 12 | 81.8527.00.2 | PISTON RING (IDB 1800) | 10 | 52 | 80.3204.50.2 | O-RING 2,62x23,81 (KIT VITON) | 5 |
| 12 | 81.8530.00.2 | PISTON RING (IDB 2000) | 10 | 53 | 86.2562.00.2 | SCREW M8x20 | 2 |
| 13 | 41.0025.09.2 | PISTON (IDB 1600) | 10 | 54 | 81.4706.00.2 | NUT M12 | 7 |
| 13 | 37.0016.09.2 | PISTON (IDB 1800) | 5 | 55 | 49.0028.61.2 | MOUNTING RAIL | 2 |
| 13 | 48.0028.09.2 | PISTON (IDB 2000) | 5 | 56 | 49.0021.53.2 | EXTENSION | 2 |
| 14 | 85.2007.00.2 | PISTON PIN | 5 | 82 | 86.3694.50.2 | SCREW M12x20 | 1 |
| 15 | 80.0021.00.2 | RING DIA.15 | 5 | 83 | 82.4066.00.2 | GASKET | 1 |
| 16 | 49.0023.09.2 | CRANKCASE (before 11/2017) | 10 | 84 | 49.0017.61.2 | SPACER | 1 |
| 16 | 49.0030.09.2 | CRANKCASE (after 11/2017) | 1 | 85 | 80.3200.00.2 | O-RING 2,62x22,2 | 1 |
| 17 | 80.1369.00.2 | RING DIA.52 | 1 | 85 | 80.3200.00.2 | O-RING 2,62x22,2 (KIT VITON) | 1 |
| 18 | 80.2143.10.2 | OIL SEAL | 1 | 86 | 48.0021.28.2 | LOWER BALLASTER | 1 |
| 19 | 81.2876.00.2 | BEARING 35X100X25 | 1 | 87 | 93.0041.31.2 | BALLASTER DIAPHRAGM | 1 |
| 20 | 49.0009.61.2 | SPACER | 1 | 87 | 93.0041.33.2 | BALLASTER DIAPHRAGM (VITON) | 1 |
| 21 | 49.0010.41.2 | CONROD RING | 1 | 88 | 86.1608.50.2 | AIR VALVE | 1 |
| 22 | 49.0005.11.2 | CONROD | 2 | 89 | 86.2785.00.2 | SCREW M8X40 UNI5737 (AL. VERSION) | 10 |
| 23 | 81.2955.00.2 | BEARING 63X80X25 | 5 | 89 | 86.2694.00.2 | SCREW M8X30 UNI5737 (BR. VERSION) | 10 |
| 24 | 49.0002.61.2 | SPACER | 2 | 90 | 93.0003.09.2 | BALLASTER COVER (AL. VERSION) | 1 |
| 25 | 49.0006.26.2 | CRANKSHAFT | 1 | 90 | 48.0033.28.2 | BALLASTER COVER (BR. VERSION) | 1 |
| 26 | 81.2914.00.2 | BEARING 40X90X23 | 1 | 91 | 84.3685.00.2 | WASHER DIA.8,2X15X1,5 UNI1750 | 10 |
| 27 | 80.3210.68.2 | O-RING 2,62x120,32 | 1 | 92 | 81.4575.00.2 | NUT M8 UNI5588 | 10 |
| 28 | 48.0003.09.2 | BEARING COVER (before 11/2017) | 1 | 93 | 48.9802.97.3 | BALLASTER KIT BR./AL. (STD) | 1 |
| 28 | 48.0034.09.2 | BEARING COVER (after 11/2017) | 1 | 93 | 48.9817.97.3 | BALLASTER KIT BR./BR. (OPT.) | 1 |
| 29 | 49.0003.12.2 | INLET MANIFOLD | 1 | 94 | 31.1482.32.2 | PLAIN SAFETY CONE L=180 (OPT.) | 1 |
| 30 | 80.3180.00.2 | O-RING 2,62x15,08 | 1 | 94 | 31.1468.32.2 | PLAIN SAFETY CONE L=135 (OPT.) | 1 |
| 31 | 80.3265.00.2 | O-RING 3,53x46,04 | 1 | 95 | 84.3696.00.2 | WASHER DIA8,4X18X2 (OPT.) | 2 |
| 31 | 80.3265.50.2 | O-RING 3,53x46,04 (KIT VITON) | 1 | 96 | 86.2547.00.2 | SCREW TCEI M8x18 UNI5931 (OPT.) | 2 |
| 31 | 80.3209.10.2 | O-RING 2,62x40,95 (OPT.) | 1 | 97 | 83.5033.00.2 | REDUCTION G.1/2-G.3/8 (OPT.) | 1 |
| 32 | 84.0611.00.2 | 90 ELBOW CONNECTOR 50-1,96" | 1 | 98 | 82.2044.50.2 | ELBOW M/F G.3/8 (OPT.) | 1 |
| 32 | 84.0610.00.2 | 90 ELBOW CONNECTOR 50-1,96" PLAST.(OPT.) | 1 | 99 | 24.3050.97.3 | SAFETY VALVE 50 BAR (OPT.) | 1 |
| 33 | 82.0121.00.2 | G.2" WING NUT | 1 | 100 | 35.0019.28.2 | VALVE COVER G.1/2 F. (OPT.) | 1 |
| 33 | 82.0120.00.2 | G.2" WING NUT PLAST.(OPT.) | 1 | 101 | 49.0029.75.2 | SPACER | 4 |
| 34 | 80.1369.00.2 | RING DIA.52 | 1 | | | | |