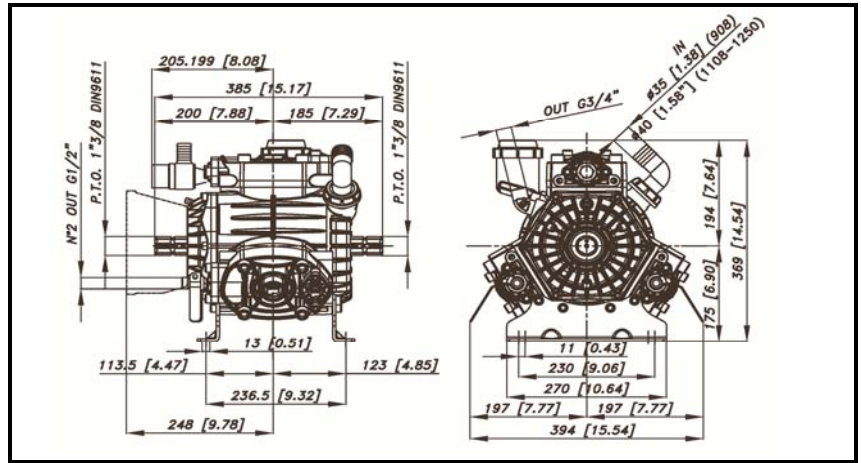
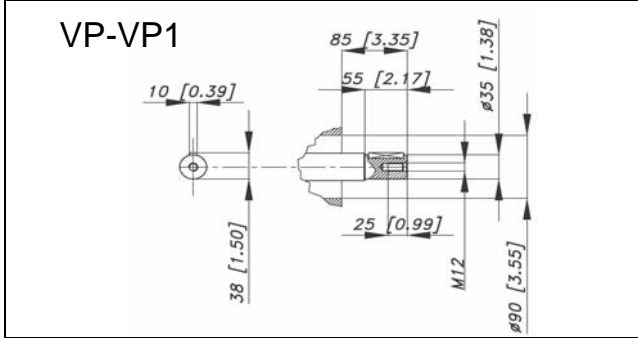
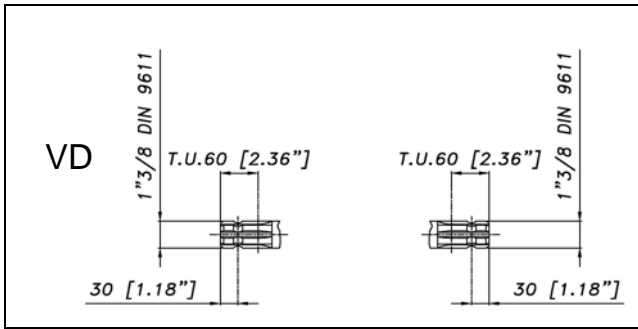


DIMENSIONI D'INGOMBRO - OVERALL DIMENSIONS



ALBERO POMPA - PUMP SHAFT



COPPIA DI SERRAGGIO - TORQUE CHART					
CODICE - CODE	Q.TY	POS	N-m	Lbr.ft	
86.3265.00.2	6	13	44	32,5	
86.2682.00.2	6	31	22	16,2	
86.2852.00.2	2	56	22	16,2	
41.9835.97.3	3	40	25	18,5	
86.2752.00.2	18	6	22	16,2	
86.3347.00.2	2	20	44	32,5	
86.3300.00.2	12	41	44	32,5	
86.4250.00.2	12	47	98	72,2	

Tolleranza di serraggio: 0/-10%
Tolerance on torque value: 0/-10%

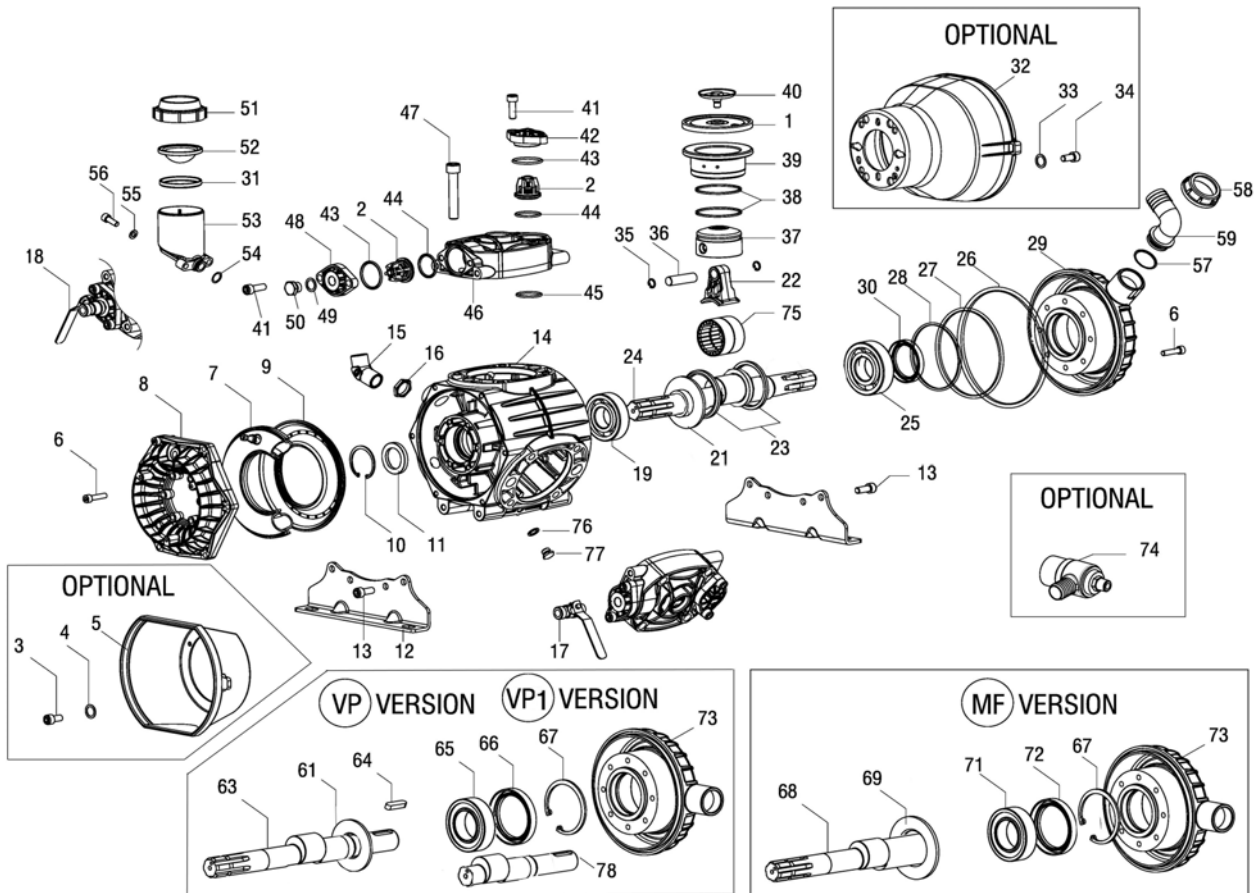
INFORMAZIONI UTILI USEFUL INFORMATION				
LUBRIFICANTE- LUBRICANT: OLIO MOTORE O SEMIIDRAULICO SAE 30 MOTOR OIL OR SEMI-HYDRAULIC OIL SAE 30				
PRESSIONE ACCUMULATORE ACCUMULATOR PRESSURE				
PRESSIONE DI LAVORO - OPERATING PRESSURE	2 ÷ 5	5÷10	10 ÷ 20	20 ÷ 50
ACCUMULATORE ACCUMULATOR	2	2 ÷ 5	5 ÷ 7	6 ÷ 8

KIT MEMBRANE - DIAPHRAGMS KIT

KIT	37.9817.97.3	BUNA - N			37.9818.97.3	DESMOPAN			37.9819.97.3	VITON					37.9820.97.3	PENTAX				
POSIZIONE ESPLOSO POSITION NUMBER		1	7	45		1	7	45		1	7	26	27	43	44	59		1	7	45
QUANTITA' NEL KIT QUANTITIES INCLUDED		3	1	6		3	1	6		3	1	1	1	6	6	6		3	1	6

KIT POMPA/KIT VALVOLE - PUMP KIT/VALVES KIT

KIT	35.9882.97.3	KIT POMPA VD PUMP KIT VD							35.9883.97.3	KIT POMPA VM PUMP KIT VM							35.9870.97.3	KIT VALVOLE VALVE KIT				
POSIZIONE ESPLOSO POSITION NUMBER		11	30	45	26	27	28	43	44		11	66-72	45	26	27	28	43	44		2	43	44
QUANTITA' NEL KIT QUANTITIES INCLUDED		1	1	6	1	1	1	6	6		1	1	6	1	1	1	6	6		6	6	6



POS.	CODICE PART NO. REF.	DENOMINAZIONE - DESCRIPTION - DESCRIPTION	Q.TY	POS.	CODICE PART NO. REF.	DENOMINAZIONE - DESCRIPTION - DESCRIPTION	Q.TY
1	95.0040.31.2	BUNA-N PISTON DIAPHRAGM	3	37	37.0016.09.2	PISTON DIA.70 (PBO 1100)	3
1	95.0040.33.2	VITON PISTON DIAPHRAGM (OPTIONAL)	3	37	48.0028.09.2	PISTON DIA.72 (PBO 1250)	3
1	95.0040.00.2	DESMOPAN PISTON DIAPHRAGM (OPTIONAL)	3	38	81.8527.00.2	PISTON RING DIA.70 (PBO 1100)	6
1	95.0040.36.2	HPS PISTON DIAPHRAGM (OPTIONAL)	3	38	81.8530.00.2	PISTON RING DIA.72 (PBO 1250)	6
2	35.9802.97.3	VALVES ASSEMBLY	6	39	43.0015.01.2	PISTON SLEEVE DIA.70 (PBO 1100)	3
3	86.1846.00.2	SCREW M5,5x16 UNI 6954 (OPTIONAL)	6	39	48.0029.01.2	PISTON SLEEVE DIA.72 (PBO 1250)	3
4	84.3560.00.2	WASHER DIA. 5,5x15x1,6 (OPTIONAL)	3	40	41.9835.97.3	KIT DISK + SCREW INOX	3
5	31.1466.32.2	PLAIN SAFETY CONE (OPTIONAL)	1	41	86.3300.00.2	SCREW M10x30 UNI 5931	12
6	86.2752.00.2	SCREW M8x35 UNI 5931	18	42	41.0109.09.2	VALVE COVER	3
7	41.0120.97.3	NBR BALLASTER DIAPHRAGM	1	43	80.3262.00.2	O-RING DIA.3,53x41,28	6
8	37.0108.09.2	BALLASTER COVER	1	43	80.3262.50.2	O-RING DIA.3,53x41,28 (KIT VITON)	6
9	41.0104.09.2	LOWER BALLASTER	1	44	80.3251.00.2	O-RING DIA.3,53x32,93	6
10	80.1369.00.2	RING DIA.52	1	44	80.3251.50.2	O-RING DIA.3,53x32,93 (KIT VITON)	6
11	80.2143.10.2	OIL SEAL DIA.35x52x7 (VD-MF-VP)	1	45	80.3200.00.2	O-RING DIA.2,62x22,22	6
11	80.2099.60.2	CAP D.52x7 (VP1)	1	45	80.3200.50.2	O-RING DIA.2,62x22,22 (KIT VITON)	6
12	37.0114.61.2	MOUNTING RAIL	2	46	41.0111.09.2	PUMP HEAD	3
13	86.3265.00.2	SCREW M10x25 UNI 5931	8	47	86.4250.00.2	SCREW M14x70 UNI 5931	12
14	37.0112.09.2	CRANKCASE	1	48	41.0110.09.2	VALVE COVER G.3/8"	3
15	83.5063.28.2	60° ELBOW CONNECTOR G.3/4	2	49	82.4107.00.2	GASKET	1
16	81.4909.00.2	BRASS G.3/4 NUT	1	50	85.2579.00.2	CAP G.3/8"	1
17	84.5544.10.2	LEFT TAP G.3/8-G.1/2	1	51	28.0144.32.2	OIL FILLER COVER	1
18	84.5544.00.2	RIGHT TAP G.3/8-G.1/2	1	52	41.0017.31.2	OIL FILLER DIAPHRAGM	1
19	81.2870.00.2	ROLLER BEARING DIA.35X80X21	1	53	55.0004.32.2	OIL FILLER	1
21	41.0166.19.2	SHAFT RING	1	54	80.3180.00.2	O-RING DIA. 2,62x15,08	1
22	41.0165.09.2	BIELLA SINGOLA	3	55	84.3685.50.2	WASHER DIA.8,2X15X1,5 UNI 1750	2
23	14.0015.76.2	CONROD HOLDING RING	2	56	86.2682.50.2	BOLT M8x25 UNI 5931	2
24	41.0167.26.2	"VD" CRANKSHAFT (1"3/8" M-M)	1	57	80.3219.10.2	O-RING DIA. 3X30	1
25	81.2913.00.2	BALL BEARING DIA. 40X90X23	1	58	82.0070.00.2	WING NUT G.1"1/2	1
26	80.3295.00.2	O-RING DIA. 3,53x190,1	1	59	84.0591.00.2	90° ELBOW CONNECTOR DIA.40-1,57"	1
26	80.3295.50.2	O-RING DIA.3,53x190,1 (KIT VITON)	1	61	41.0170.19.2	SHAFT RING	1
27	80.3210.70.2	O-RING DIA. 2,62x126,67	1	63	41.0152.26.2	"VP" CRANKSHAFT (SOLID SHAFT DIA.35)	1
27	80.3210.75.2	O-RING DIA. 2,62x126,67 (KIT VITON)	1	64	80.6580.00.2	KEY 10X8X50 UNI 6604	1
28	80.3291.00.2	O-RING DIA. 3,53x88,5	1	65	81.2912.00.2	ROLLER BEARING DIA.40X90X23	1
29	41.0112.09.2	INLET COVER "VD"	1	66	80.2189.70.2	OIL SEAL DIA.40X80X8	1
30	80.2190.00.2	OIL SEAL DIA.40x72x10	1	67	80.1428.00.2	SNAP RING DIA.80 UNI 7437	1
31	14.0116.32.2	DIAPHRAGM SPACER	1	68	41.0151.26.2	"MF" CRANKSHAFT (1"3/8 M-F)	1
32	31.1482.32.2	PLAIN SAFETY CONE L.180 (OPTIONAL)	1	69	41.0171.19.2	SHAFT RING "MF"	1
32	31.1468.32.2	PLAIN SAFETY CONE L.135 (OPTIONAL)	1	71	81.2970.00.2	ROLLER BEARING DIA.50X90X23	1
33	84.3801.00.2	WASHER DIA.10,5x18x2 (OPTIONAL)	4	72	80.2235.00.2	OIL SEAL DIA.50X80X10	1
34	86.3187.00.2	SCREW M10x18 UNI 5931 (OPTIONAL)	4	73	41.0116.09.2	INLET COVER "VP-MF"	1
35	80.0021.00.2	RING DIA.15	6	74	24.3050.97.3	SAFETY VALVE 50 BAR (OPTIONAL)	1
36	85.2007.00.2	PISTON PIN DIA.15x24	3	75	81.2950.00.2	NEEDLE ROLLER BEARING	2
				76	82.4079.00.2	WASHER DIA.13	1
				77	85.2543.50.2	CAP G.1/4"	1
				78	41.0169.26.2	"VP1" CRANKSHAFT (SOLID SHAFT DIA.35)	1