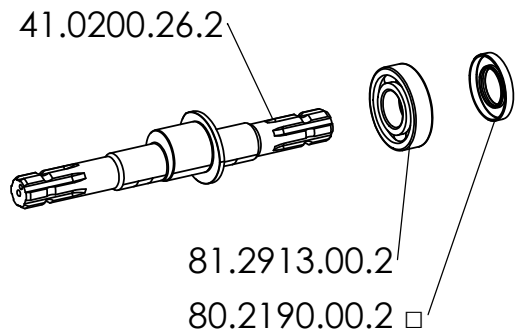
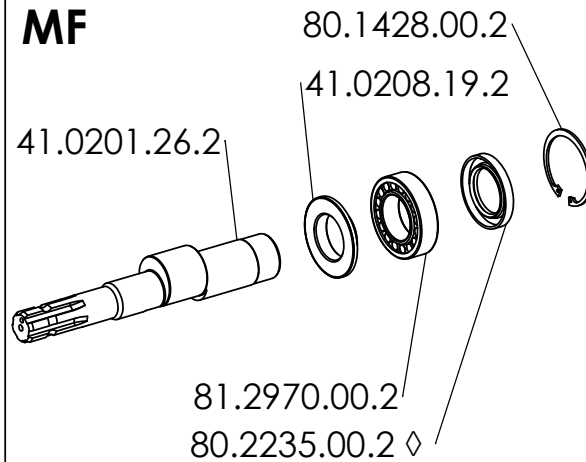


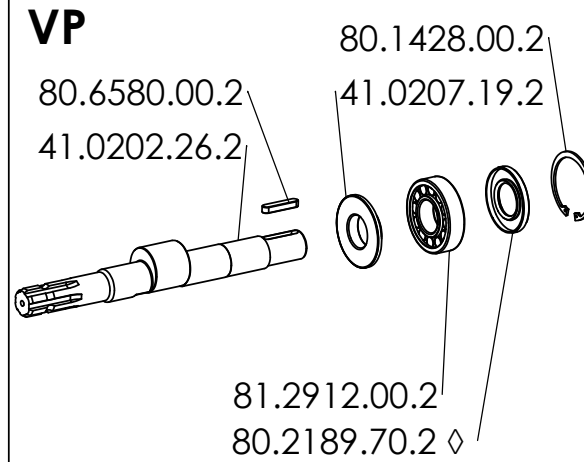
**VD**



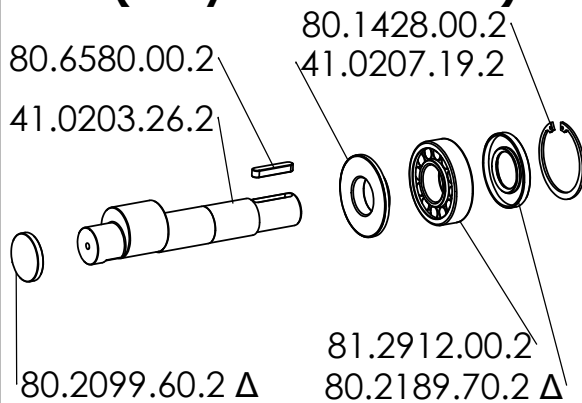
**MF**



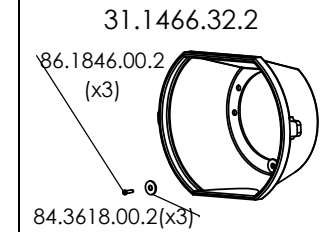
**VP**



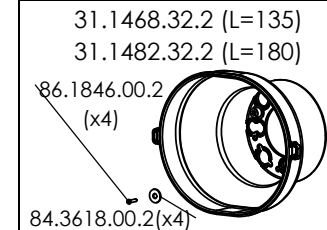
**VP1 (only PBO 1100.1)**



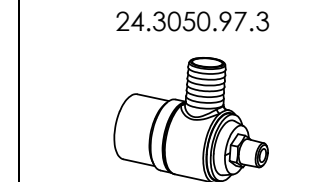
**OPTIONAL FRONT**



**REAR**



**SAFETY VALVE**



MATERIALE - MATERIAL	KIT MEMBRANE - DIAPHRAGMS KIT				KIT VALVOLE - VALVES KIT				KIT POMPA - PUMP KIT		
	BUNA-N	DURAMAX	DESMOPAN	HPS	VITON	/			VD	MF-VP	VP1
STD. - OPT.	STD.	OPT.	OPT.	OPT.	OPT.	STD.					
CODICE - CODE	37.9817.97.3	37.9818.97.3DS	37.9818.97.3	37.9820.97.3	37.9819.97.3	35.9870.97.3			35.9882.97.A	35.9883.97.A	35.9884.97.3
COMPONENTI COMPONENTS	■	▲	●	▼	■	○			□	◇	△

INFORMAZIONI UTILI - USEFUL INFORMATION				
OLIO - OIL	OLIO MOTORE O SEMIIDRAULICO SAE 30 MOTOR OIL OR SEMI-HYDRAULIC OIL			
PRESSIONE DI LAVORO OPERATING PRESSURE	2 ÷ 5	5÷10	10 ÷ 20	20 ÷ 50
ACCUMULATORE	2	2÷5	5÷7	6÷8