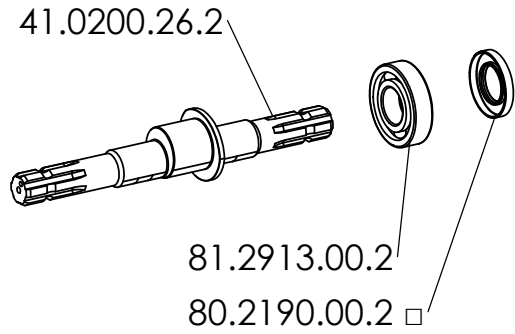
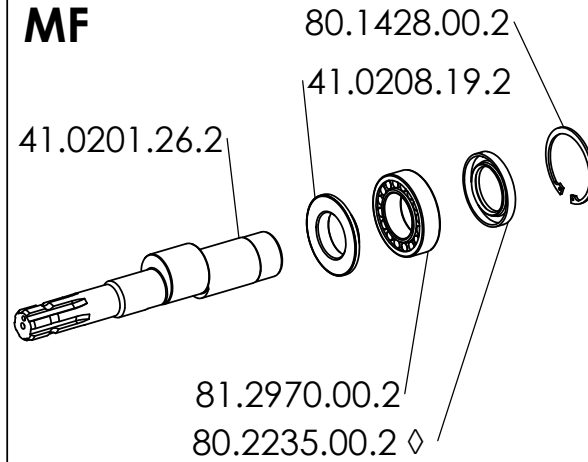


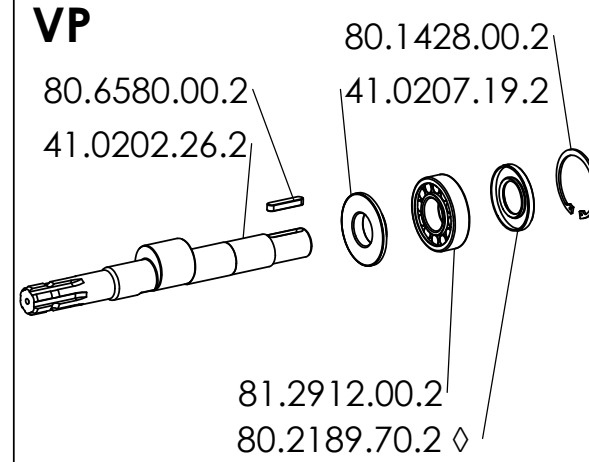
**VD**



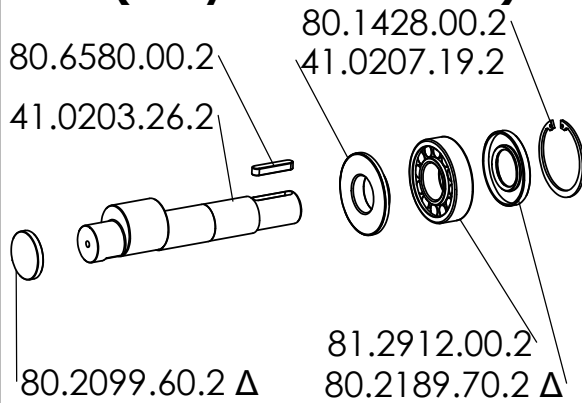
**MF**



**VP**



**VP1 (only PBO 1100.1)**



**OPTIONAL FRONT**

31.1466.32.2

86.1846.00.2 (x3)

84.3618.00.2(x3)

**REAR**

31.1468.32.2 (L=135)

31.1482.32.2 (L=180)

86.1846.00.2 (x4)

84.3618.00.2(x4)

**SAFETY VALVE**

24.3050.97.3

MATERIALE - MATERIAL	KIT MEMBRANE - DIAPHRAGMS KIT					KIT VALVOLE - VALVES KIT			KIT POMPA - PUMP KIT		
	BUNA-N	DURAMAX	DESMOPAN	HPS	VITON	/			VD	MF-VP	VP1
STD. - OPT.	STD.	OPT.	OPT.	OPT.	OPT.	STD.					
CODICE - CODE	37.9817.97.3	37.9818.97.3DS	37.9818.97.3	37.9820.97.3	37.9819.97.3	35.9870.97.3			35.9882.97.A	35.9883.97.A	35.9884.97.3
COMPONENTI COMPONENTS	■	▲	●	▼	■	○			□	◇	△

INFORMAZIONI UTILI - USEFUL INFORMATION				
OLIO - OIL	OLIO MOTORE O SEMIIDRAULICO SAE 30 MOTOR OIL OR SEMI-HYDRAULIC OIL			
PRESSIONE DI LAVORO OPERATING PRESSURE	2 ÷ 5	5÷10	10 ÷ 20	20 ÷ 50
ACCUMULATORE	2	2÷5	5÷7	6÷8