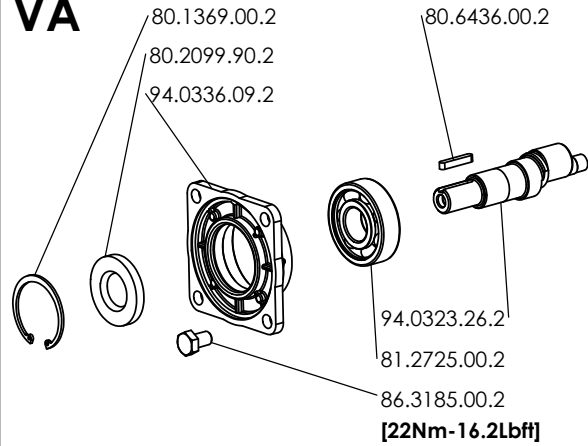
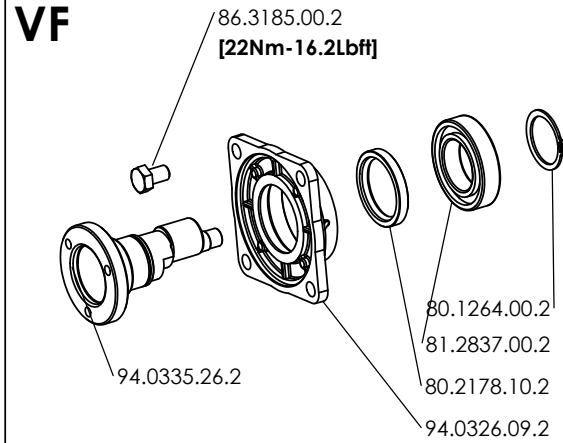


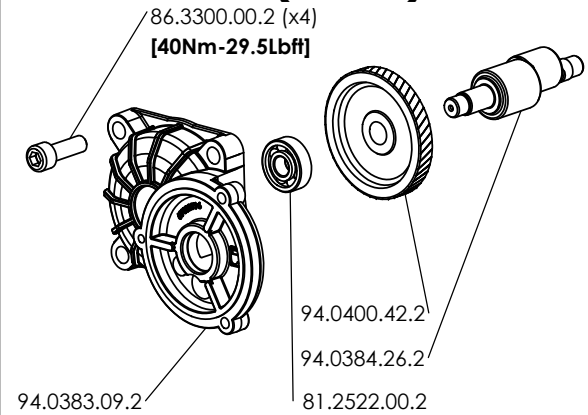
VA



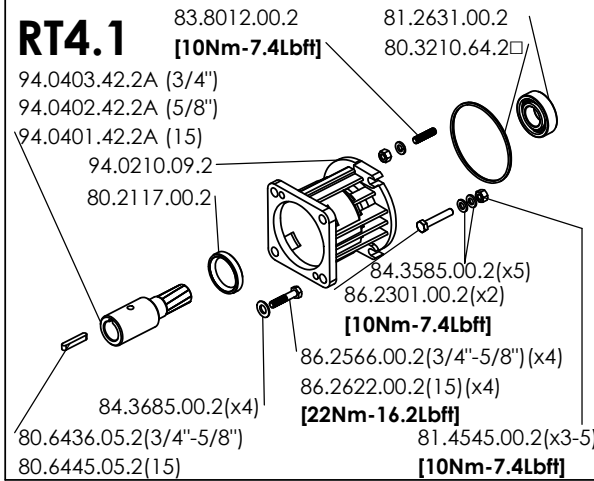
VF



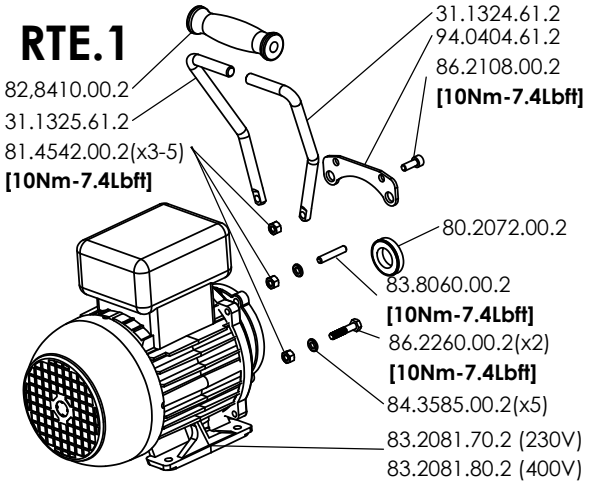
RT4.1-RTE.1 (base)



RT4.1



RTE.1



	KIT MEMBRANE - DIAPHRAGMS KIT				KIT VALVOLE - VALVES KIT		KIT POMPA - PUMP KIT	
MATERIALE - MATERIAL	DURAMAX	DESMOPAN	BUNA-N	VITON	/		/	
STD. - OPT.	STD.	OPT.	OPT.	OPT.	STD.			
CODICE - CODE	94.9918.97.3DS	94.9918.97.3	94.9871.97.3	94.9943.97.3	94.9944.97.3		94.9942.97.3	
COMPONENTI COMPONENTS	▲	●	■	■	○		□	

INFORMAZIONI UTILI - USEFUL INFORMATION				
OLIO - OIL	OLIO MOTORE O SEMIIDRAULICO SAE 30 MOTOR OIL OR SEMI-HYDRAULIC OIL			
PRESSIONE DI LAVORO OPERATING PRESSURE	2 ÷ 5	5 ÷ 10	10 ÷ 20	20 ÷ 50
ACCUMULATORE	2	2÷5	5÷7	6÷8