

**PRODOTTO/PRODUCT: POLY 2073**

**VERSIONI/VERSION: VS-VP-VA-VI-VDE-VM**



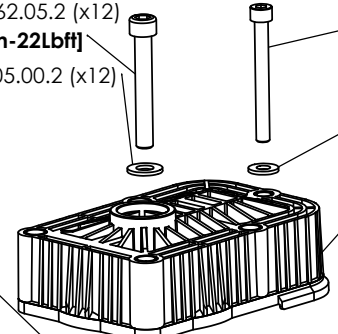
- 95.0040.00.ADS (std.) (Duramax) (x3) ▲
- 95.0040.00.A (Desmopan) (x3) ●
- 95.0040.31.2 (Buna-N) (x3) ■
- 95.0040.33.2 (Viton) (x3) □
- 95.0040.36.2 (HPS) (x3) ▼
- 95.0040.37.2 (Pentax) (x3) ◆

- 63.9801.97.3 (x3)
- [25Nm-18.4Lbft]**

- 86.3562.05.2 (x12)
- [30Nm-22Lbft]**
- 84.3805.00.2 (x12)

- 86.3001.05.2 (x3)
- [10Nm-7.4Lbft]**
- 84.3696.00.2 (x3)
- 63.0022.32.2 (x3)

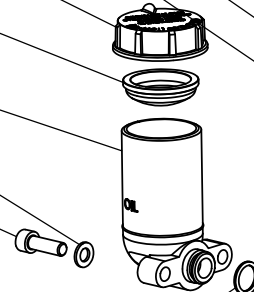
- 63.0015.01.2 (x3)
- 81.8504.50.2 (x3)
- 63.0014.09.2 (x3)



- 82.0070.00.A
- 84.0570.00.2 (std.) (D.35-1.37")
- 84.0561.00.2 (D.30-1.18")
- 84.0566.00.2 (D.32-1.25")
- 84.0571.00.2 (D.38-1.49")
- 84.0591.00.2 (D.40-1.57")

- 85.2750.00.2 (before 08/20)
- 85.2750.00.2A (from 09/20)
- 82.4120.00.2 (before 08/20)
- 23.0097.31.2 (from 09/20)

- 23.0008.32.2
- 84.3685.40.2 (x2)
- 86.2684.00.2 (x2)
- [5Nm-3.7Lbft]**



- 80.3219.15.2
- 28.0229.32.2(x4)
- 80.3219.90.2(x4) ▲●■▼◆◇◎△□△☆
- 80.3320.70.2(x4) ▲●■▼◆◇◎△□△☆
- 28.9905.97.3 (AISI 316)(x6)◎
- 28.9809.97.3 (AISI 303)(opt.)(x6)○
- 63.9800.97.3 (PP)(opt.)(x6)△

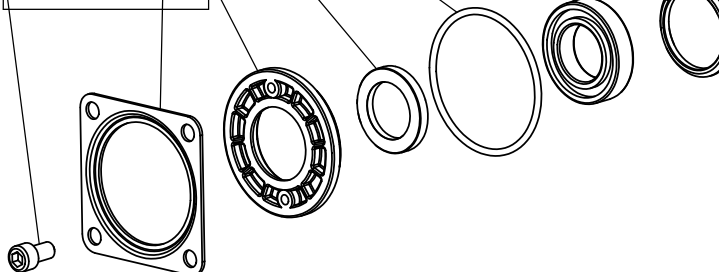
**VS-VP-VA-VI**

- 81.2646.00.2
- 95.0097.61.2
- 26.0047.76.2

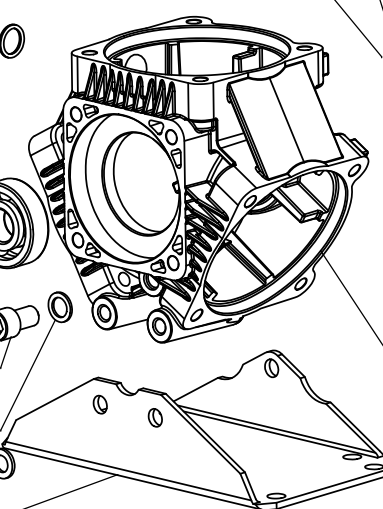
- 23.0005.09.2 (x3) (aluminum)
- 23.0045.11.2 (x3) (bronze, opt.)
- 26.0047.76.2

**VS-VP-VA-VDE**

- 81.2837.00.2
- 80.3310.00.2□△
- 80.2143.10.2□△
- 53.0007.32.2
- 17.0016.61.2
- 86.3187.05.2(x4)
- [22Nm-16.3Lbft]**



- 86.3694.65.2 (from 11/19)
- [70Nm-51Lbft]**
- 82.4066.00.2 (from 11/19)
- 86.3265.50.2 (x3)
- [44Nm-32.5Lbft]**
- 84.3760.00.2 (x3)
- 63.0135.61.2

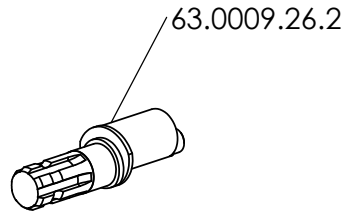


- 80.0021.00.2 (x6)
- 85.2006.70.2 (x3)
- 63.0001.09.2 (VS-VP-VA-VI)
- 63.0111.09.2 (VDE-VM)

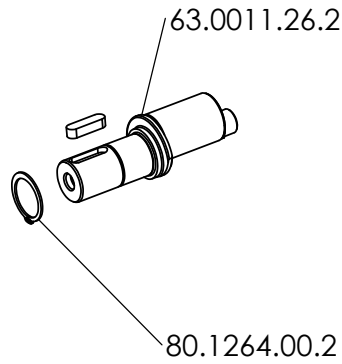
- 82.0067.50.2
- 84.0542.40.2
- 80.3219.05.2
- 83.5089.50.2
- [20Nm14.8Lbft]**
- 80.3218.50.2

- 80.2586.00.2
- [5Nm-3.7Lbft]**
- [LOXEA 55-14]**
- 63.0110.32.2

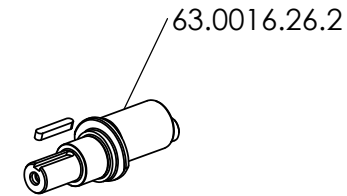
**VS**



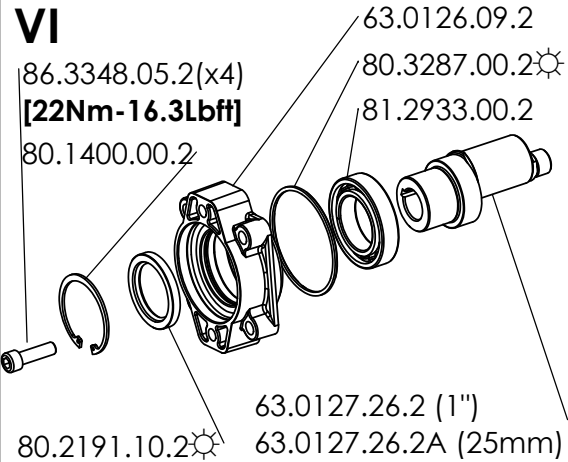
**VP**



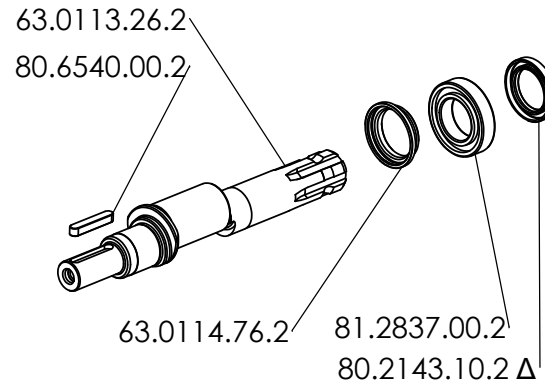
**VA**



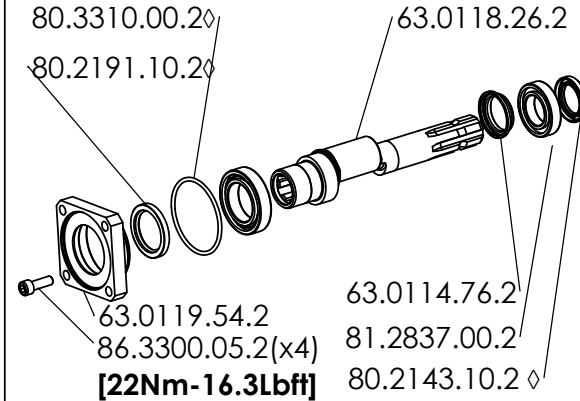
**VI**



**VDE**



**VM**



**OPTIONAL FRONT (VS-VP-VA-VI)**  
31.1468.32.2

(x4) 86.3187.05.2

**REAR (VDE-VM)**  
31.1799.32.2

(x3) 84.3542.00.2  
(x3) 86.1843.00.2

**SAFETY VALVE**  
24.3016.97.3

INFORMAZIONI UTILI - USEFUL INFORMATION				
OLIO - OIL	OLIO MOTORE O SEMIIDRAULICO SAE 30 MOTOR OIL OR SEMI-HYDRAULIC OIL			
PRESSIONE DI LAVORO OPERATING PRESSURE	2 ÷ 5	5÷10	10 ÷ 20	20 ÷ 50
ACCUMULATORE	/	/	/	/

MATERIALE - METIERIAL	KIT MEMBRANE - DIAPHRAGMS KIT						KIT VALVOLE - VALVES KIT			KIT POMPA - PUMP KIT			
	DURAMAX	DESMOPAN	BUNA-N	HPS	VITON	PENTAX	AISI 303	AISI 316	PP	VS-VP-VA	VM	VDE	VI
STD. - OPT.	STD.	OPT.	OPT.	OPT.	OPT.	OPT.	OPT.	STD.	OPT.				
CODICE - CODE	63.9873.97.3DS	63.9873.97.3	63.9871.97.3	63.9874.97.3	63.9826.97.3	63.9825.97.3	63.9872.97.3	63.9906.97.3	63.9870.97.3	63.9880.97.3	63.9879.97.3	63.9882.97.3	63.9883.97.3
COMPONENTI COMPONENTS	▲	●	■	▼	■	◆	○	◎	⏏	□	◇	△	☀