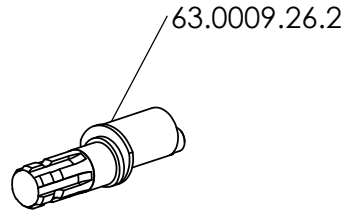
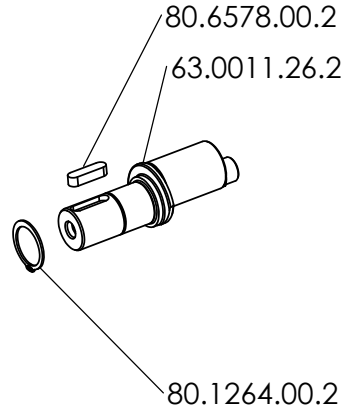


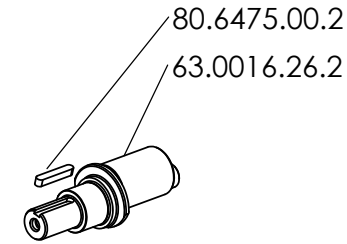
VS



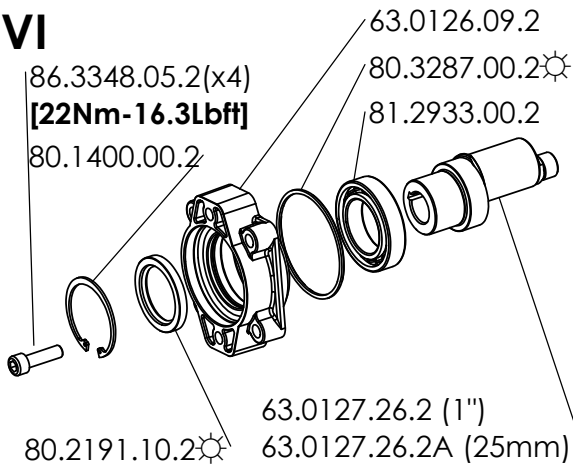
VP



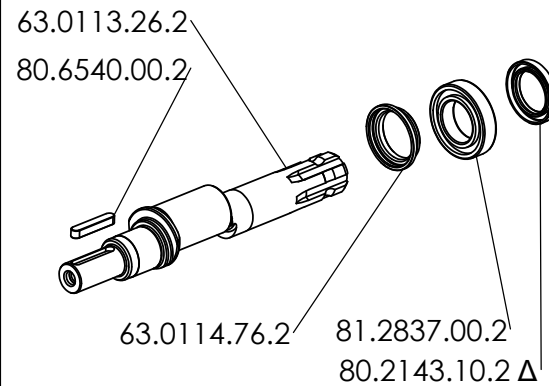
VA



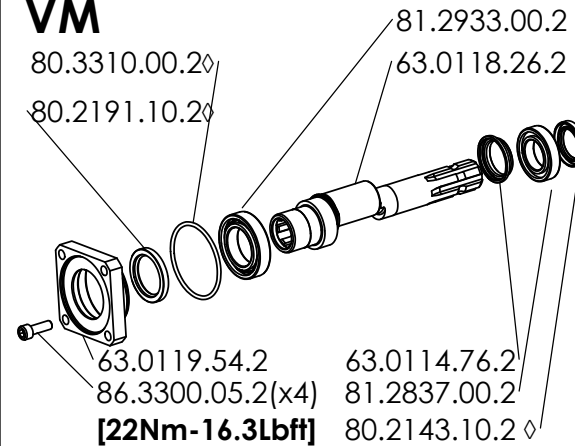
VI



VDE



VM



OPTIONAL FRONT (VS-VP-VA-VI)
31.1468.32.2

REAR (VDE-VM)
31.1468.32.2

SAFETY VALVE
24.3016.97.3

INFORMAZIONI UTILI - USEFUL INFORMATION				
OLIO - OIL	OLIO MOTORE O SEMIIDRAULICO SAE 30 MOTOR OIL OR SEMI-HYDRAULIC OIL			
PRESSIONE DI LAVORO OPERATING PRESSURE ACCUMULATORE	2 ÷ 5	5 ÷ 10	10 ÷ 20	20 ÷ 50
	/	/	/	/

MATERIALE - MATERIAL	KIT MEMBRANE - DIAPHRAGMS KIT					KIT VALVOLE - VALVES KIT	KIT POMPA - PUMP KIT			
	DURAMAX	BUNA-N	HPS	VITON	PENTAX	AISI 316	VS-VP-VA	VM	VDE	VI
STD. - OPT.	STD.	OPT.	OPT.	OPT.	OPT.	STD.				
CODICE - CODE	63.9810.97.3DS	63.9809.97.3	63.9818.97.3	63.9811.97.3	63.9812.97.3	63.9816.97.3	63.9813.97.3	63.9815.97.3	63.9817.97.3	63.9814.97.3
COMPONENTI COMPONENTS	▲	■	▼	■	◆	○	□	◇	△	☼