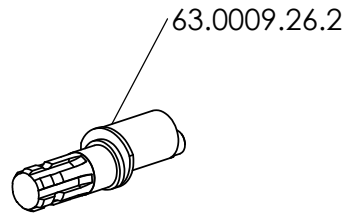
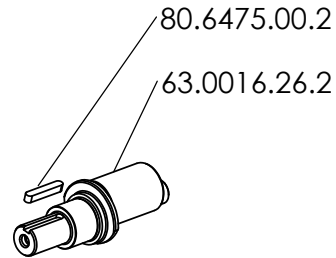


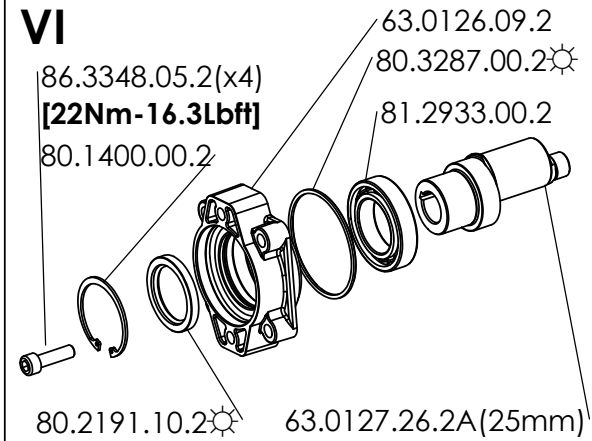
VS



VA

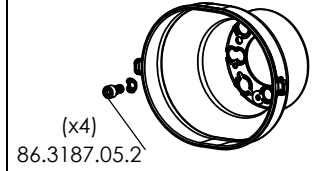


VI



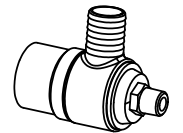
OPTIONAL FRONT

31.1468.32.2



SAFETY VALVE

24.3016.97.3



| MATERIALE - METERIAL | KIT MEMBRANE - DIAPHRAGMS KIT | | | | | | KIT VALVOLE - VALVES KIT | KIT POMPA - PUMP KIT | |
|-----------------------|-------------------------------|--------------|--------------|--------------|--------------|--------------|--------------------------|----------------------|--------------|
| | DURAMAX | DESMOPAN | BUNA-N | HPS | VITON | PENTAX | AISI 316 | VS-VA | VI |
| STD. - OPT. | STD. | OPT. | OPT. | OPT. | OPT. | OPT. | STD. | | |
| CODICE - CODE | 63.9810.97.3DS | 63.9810.97.3 | 63.9809.97.3 | 63.9818.97.3 | 63.9824.97.3 | 63.9812.97.3 | 63.9816.97.3 | 63.9813.97.3 | 63.9814.97.3 |
| COMPONENTI COMPONENTS | ▲ | ● | ■ | ▼ | ◼ | ◆ | ○ | □ | ☀ |

| INFORMAZIONI UTILI - USEFUL INFORMATION | | | | |
|---|--|--------|---------|---------|
| OLIO - OIL | OLIO MOTORE O SEMIIDRAULICO SAE 75-W90 MOTOR OR SEMI-HYDRAULIC OIL SAE 75-W90 | | | |
| PRESSIONE DI LAVORO OPERATING PRESSURE | 2 ÷ 5 | 5 ÷ 10 | 10 ÷ 20 | 20 ÷ 50 |
| ACCUMULATORE | 2 | 2 ÷ 5 | 5 ÷ 7 | / |