

- 28.9905.97.3 (AISI 316) (x12)⊙
- 28.9809.97.3 (AISI 303) (opt.) (x12)○
- 63.9800.97.3 (PP) (opt.) (x12)△
- 80.3314.50.2 (x12)▲●▼◆◇○△◇□△
- 28.0229.32.2 (x6)

- 80.3209.30.2 (x6)□○◎△◇□△

- 14.9888.97.3
- 28.0144.32.2
- 41.0017.31.2
- 14.0116.32.2
- 86.2168.50.2(x2)
- [5Nm-3.7Lbft]**
- 84.3585.00.2(x2)
- 14.0017.32.2
- 80.3209.00.2

- 86.4068.50.2 (x24)
- [40Nm-29.5Lbft]**
- 84.3845.00.2 (x24)
- 62.0025.32.2 (x6)

- 62.0040.00.ADS (std.) (Duramax) (x6)▲
- 62.0040.00.A (Desmopan) (x6)●
- 62.0040.31.2 (Buna-N) (x6)■
- 62.0040.33.2 (Viton) (x6)□
- 62.0040.36.2 (HPS) (x6)▼
- 62.0040.37.2 (Pentax) (x6)◆

- 85.2720.00.2
- [5Nm-3.7Lbft]**
- 80.3206.50.2
- 14.0042.32.2

- 14.0031.32.2
- 80.3219.15.2
- 80.0070.00.A

- 14.0032.32.2
- 80.3080.40.2
- 14.0119.32.2

- 82.0122.00.2
- 84.0612.00.2
- 80.3209.15.2(x2)

- 83.8275.20.2 (x24)
- [10Nm-7.4Lbft]**
- 81.4573.00.2 (x24)
- [15Nm-11Lbft]**

- 84.3697.00.2 (x24)

- 80.3264.50.2 (x12)▲◇□△

- 14.0029.32.2 (x8)

- 25.0606.51.2 (x12)

- 14.0027.11.2 (x6)

- 14.0016.01.2
- 81.2867.00.2
- 80.2143.10.2◇□
- 80.1369.00.2

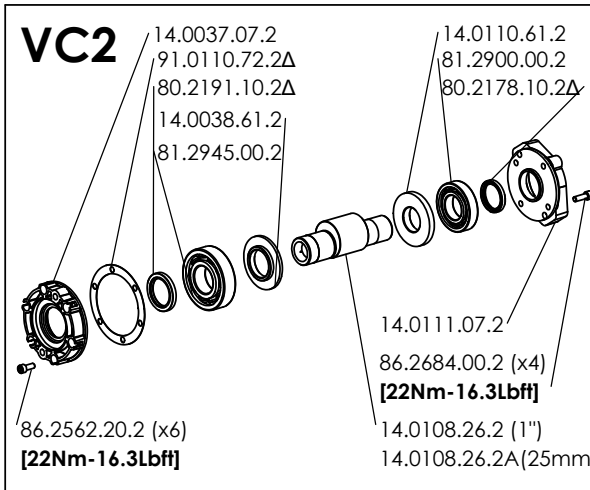
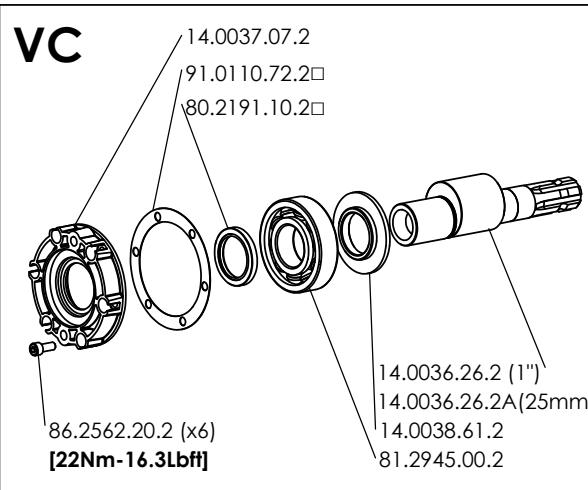
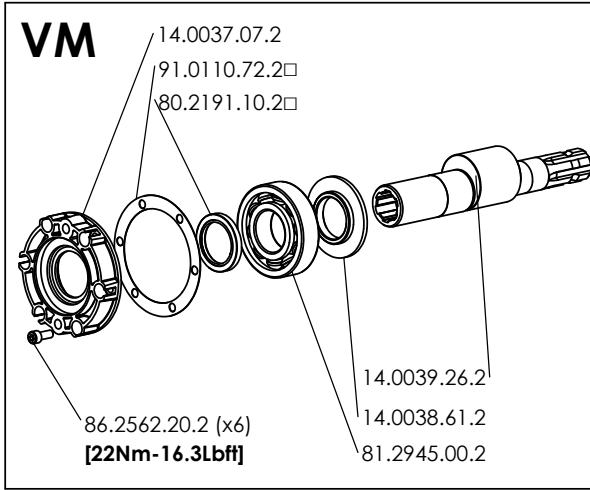
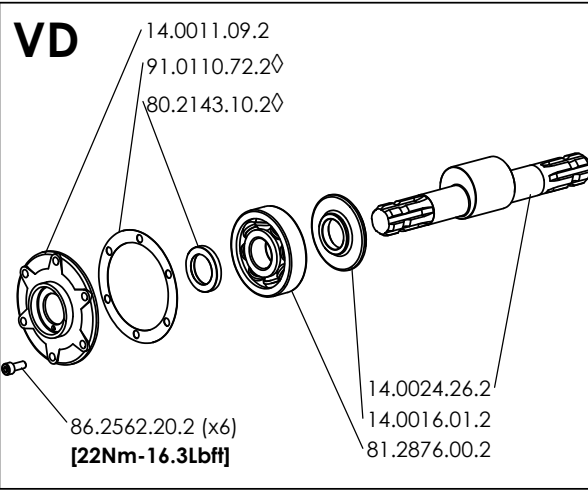
- 86.4139.10.2 (x3)
- [70Nm-51.6Lbft]**
- [LOXEAL 54-03]**

- 14.0001.09.2
- 82.4066.00.2
- 86.3694.65.2
- [40Nm-29.5Lbft]**
- 81.4689.30.2 (x3)
- 84.3896.05.2 (x6)
- 14.0018.61.2 (x2)

- 85.2577.10.2
- [5Nm-3.7Lbft]**
- [LOXEAL 24-18]**
- 14.0030.32.2

- 84.0561.00.2 (std.) (D.30-1.18")
- 84.0566.00.2 (D.32-1.25")
- 84.0570.00.2 (D.35-1.37")
- 84.0571.00.2 (D.38-1.49")
- 84.0591.00.2 (D.40-1.57")

VD-VM-VC



**OPTIONAL FRONT**

31.1468.32.2 (L=135)  
31.1482.32.2 (L=180)

84.3696.00.2  
86.2684.00.2

**SAFETY VALVE**

24.3115.97.3

MATERIALE - MATERIAL	KIT MEMBRANE - DIAPHRAGMS KIT						KIT VALVOLE - VALVES KIT			KIT POMPA - PUMP KIT			
	DURAMAX	DESMOPAN	BUNA-N	HPS	VITON	PENTAX	INOX 303	INOX 316	PP	VD	VM-VC	VC2	
STD. - OPT.	STD.	OPT.	OPT.	OPT.	OPT.	OPT.	OPT.	STD.	OPT.				
CODICE - CODE	14.9878.97.3DS	14.9878.97.3	14.9877.97.3	14.9879.97.3	14.9886.97.3	14.9882.97.3	14.9876.97.3	14.9706.97.3	14.9875.97.3	14.9883.97.3	14.9884.97.3	14.9885.97.3	
COMPONENTI COMPONENTS	▲	●	■	▼	◻	◆	○	◎	△	◇	□	△	

INFORMAZIONI UTILI - USEFUL INFORMATION				
OLIO - OIL	OLIO MOTORE O SEMIIDRAULICO SAE 30 MOTOR OIL OR SEMI-HYDRAULIC OIL			
PRESSIONE DI LAVORO OPERATING PRESSURE	2 ÷ 5	5÷10	10 ÷ 20	20 ÷ 50
ACCUMULATORE	/	/	/	/