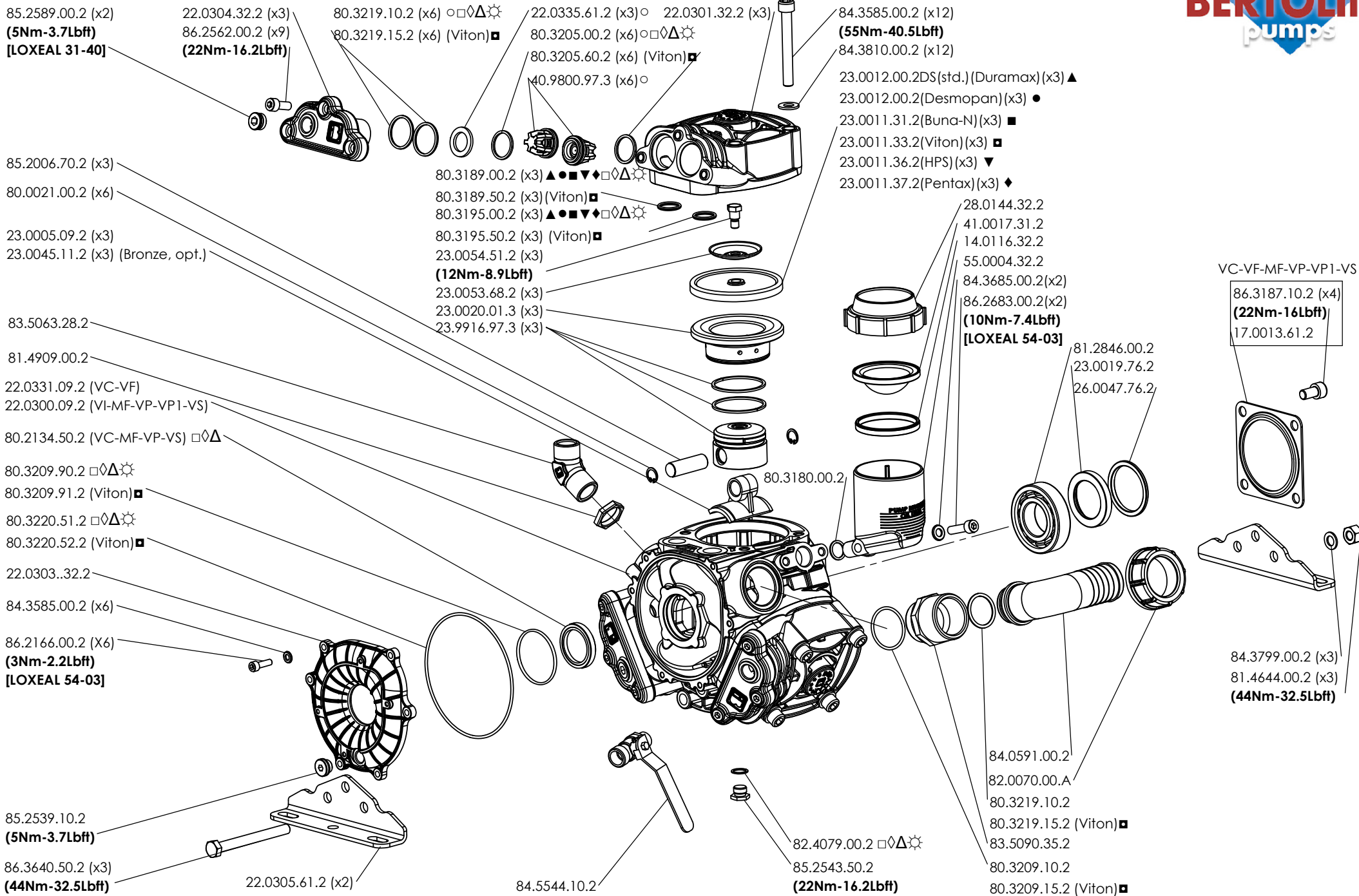
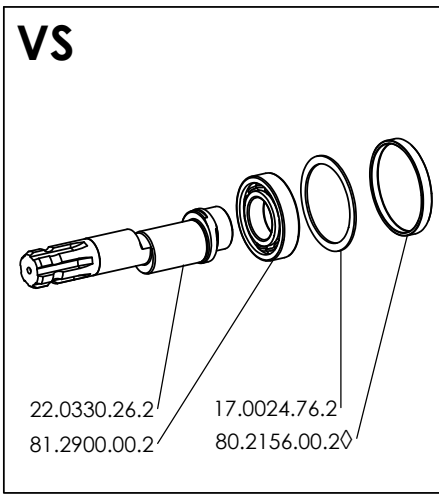
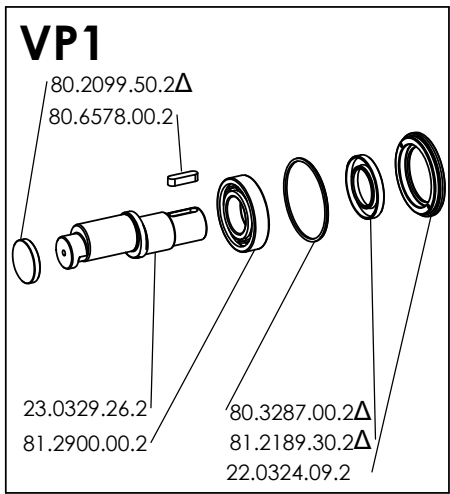
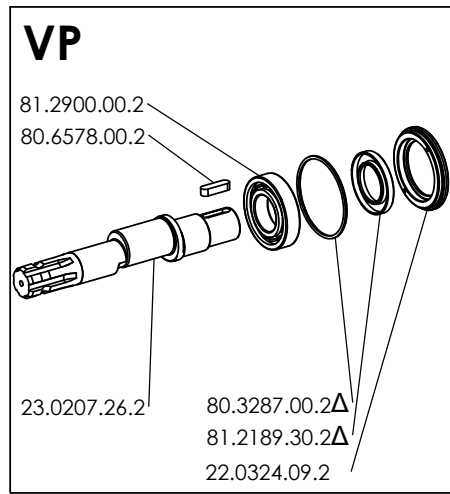
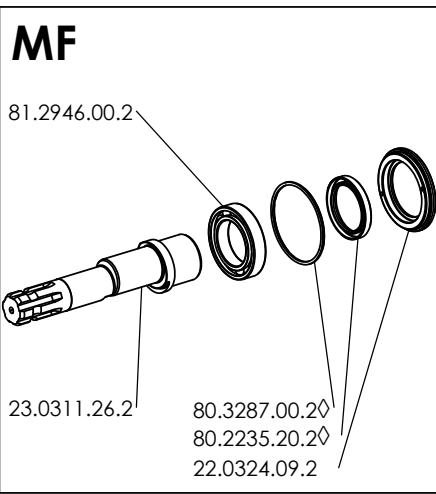
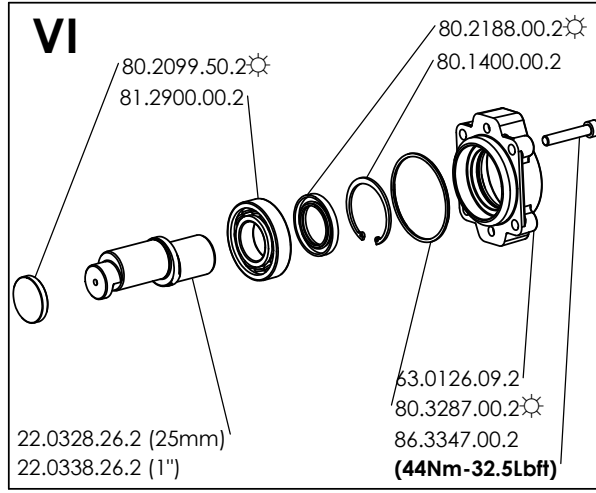
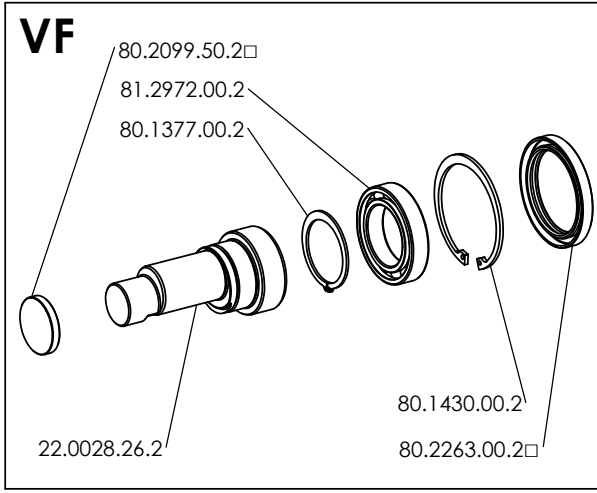
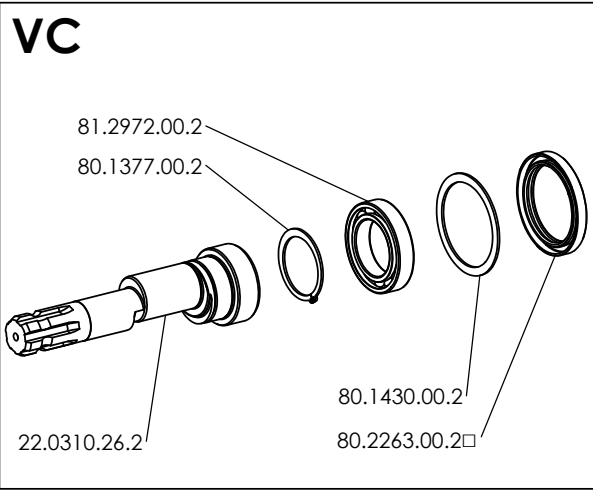


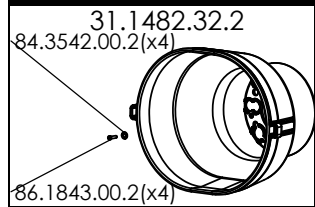
**PRODOTTO/PRODUCT: POLY 550**

**VERSIONI/VERSION: VC-VF-VI-MF-VP-VP1-VS**

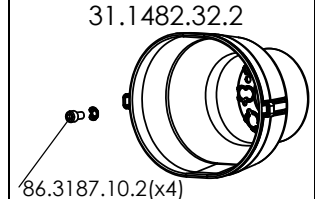




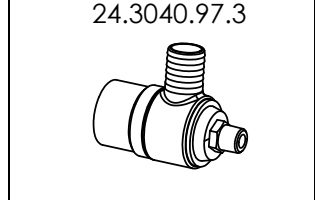
**OPTIONAL FRONT**



**REAR**



**SAFETY VALVE**



MATERIALE - MATERIAL STD. - OPT.	KIT MEMBRANE - DIAPHRAGMS KIT						KIT VALVOLE - VALVES KIT	KIT POMPA - PUMP KIT			
	DURAMAX STD.	DESMOPAN OPT.	BUNA-N OPT.	HPS OPT.	VITON OPT.	PENTAX OPT.	AISI 316 STD.	VC-VF	MF-VS	VP-VP1	VI
CODICE - CODE	22.9801.97.3DS	22.9801.97.3	22.9800.97.3	22.9803.97.3	22.9802.97.3	22.9804.97.3	22.9805.97.3	22.9806.97.3	22.9807.97.3	22.9808.97.3	22.9809.97.3
COMPONENTI COMPONENTS	▲	●	■	▼	◼	◆	○	□	◇	△	☼

INFORMAZIONI UTILI - USEFUL INFORMATION				
OLIO - OIL	OLIO MOTORE O SEMIDRAULICO SAE 75-W90 MOTOR OIL OR SEMI-HYDRAULIC OIL SAE 75-W90			
PRESSIONE DI LAVORO OPERATING PRESSURE	2 ÷ 5	5 ÷ 10	10 ÷ 20	20 ÷ 50
ACCUMULATORE	/	/	/	/