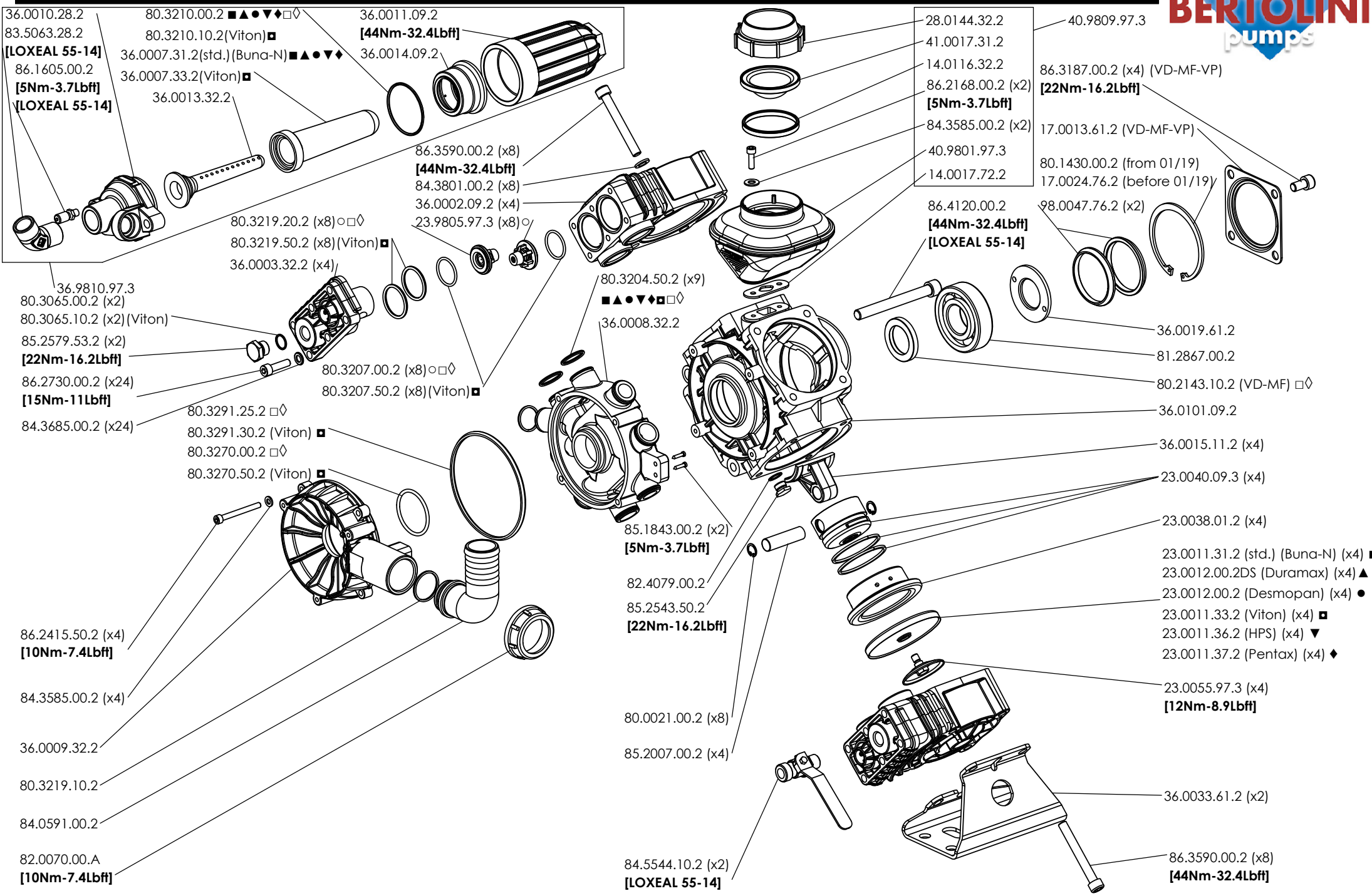
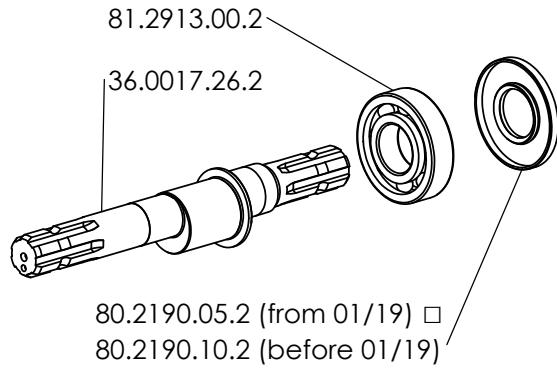


PRODOTTO/PRODUCT: PPS 100

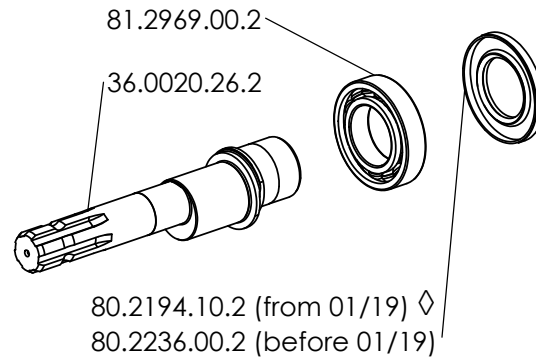
VERSIONI/VERSION: VD-MF-VP-VC



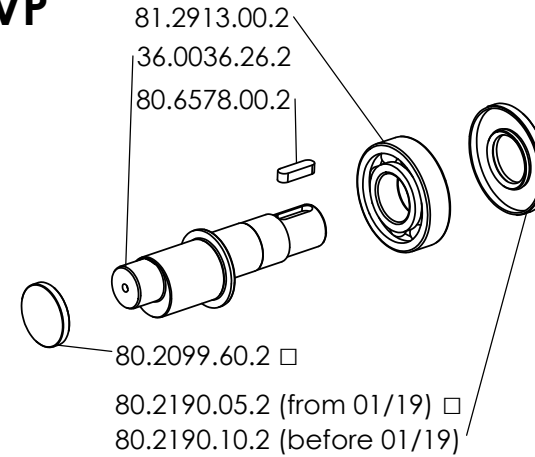
VD



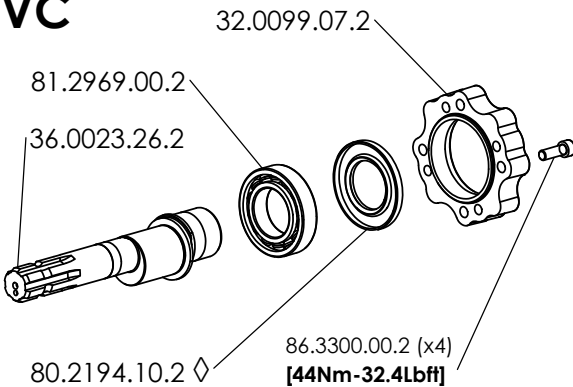
MF



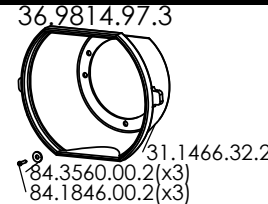
VP



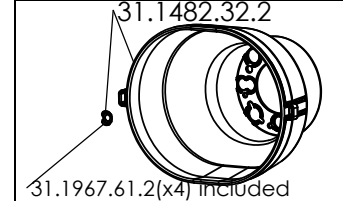
VC



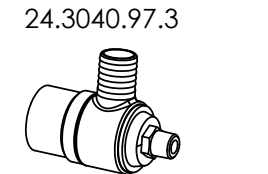
OPTIONAL FRONT



REAR



SAFETY VALVE



MATERIALE - MATERIAL STD. - OPT.	KIT MEMBRANE - DIAPHRAGMS KIT							KIT VALVOLE - VALVES KIT			KIT POMPA - PUMP KIT	
	BUNA-N STD.	DURAMAX OPT.	DESMOPAN OPT.	HPS OPT.	PENTAX OPT.	VITON OPT.	/ STD.			VD-VP	MF-VC	
CODICE - CODE	36.9804.97.3	36.9805.97.3DS	36.9805.97.3	36.9807.97.3	36.9808.97.3	36.9806.97.3	36.9803.97.3			36.9802.97.3	36.9809.97.3	
COMPONENTI COMPONENTS	■	▲	●	▼	◆	■	○			□	◇	

INFORMAZIONI UTILI - USEFUL INFORMATION				
OLIO - OIL	OLIO MOTORE O SEMIIDRAULICO SAE 75-W90 MOTOR OIL OR SEMI-HYDRAULIC OIL SAE 75-W90			
PRESSIONE DI LAVORO OPERATING PRESSURE	2 ÷ 5	5÷10	10 ÷ 20	20 ÷ 50
ACCUMULATORE	2	2 ÷ 5	5 ÷ 7	6 ÷ 8