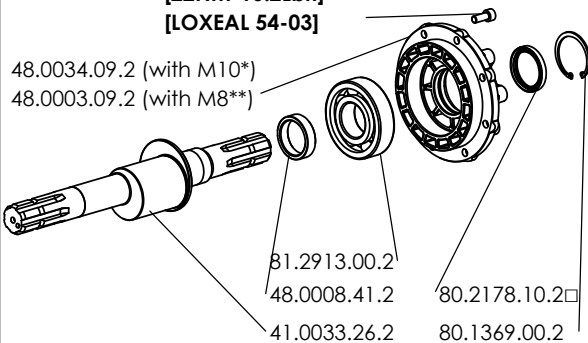


*from 01/25
**before 01/25

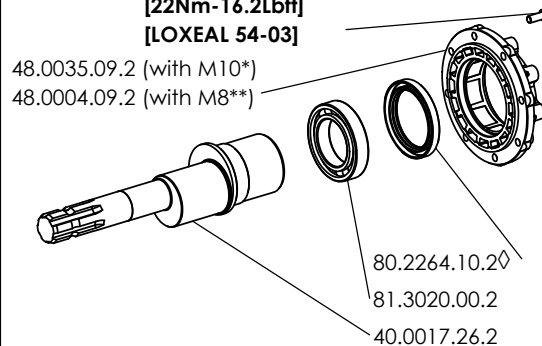
VD

86.3216.00.2 (M10*)
[44Nm-32.5Lbft]
 86.2562.00.2 (M8**)
[22Nm-16.2Lbft]
[LOXEAL 54-03]



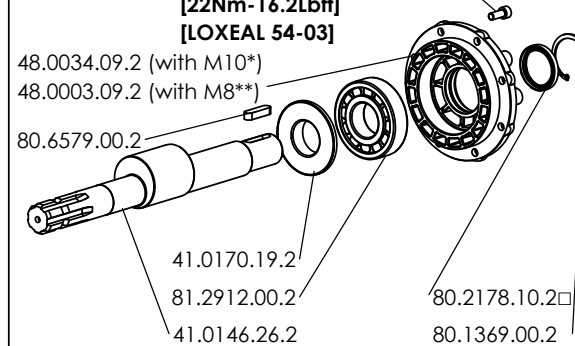
VM

86.3216.00.2 (M10*)
[44Nm-32.5Lbft]
 86.2562.00.2 (M8**)
[22Nm-16.2Lbft]
[LOXEAL 54-03]

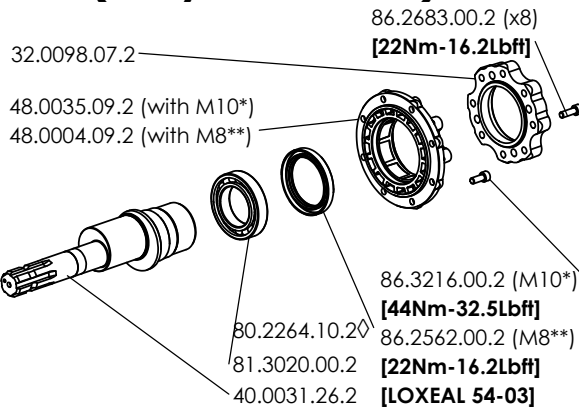


VP

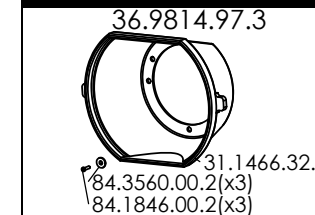
86.3216.00.2 (M10*)
[44Nm-32.5Lbft]
 86.2562.00.2 (M8**)
[22Nm-16.2Lbft]
[LOXEAL 54-03]



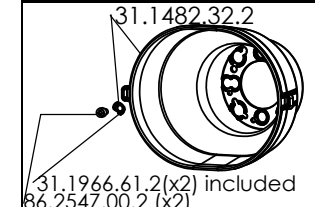
VC (only PPS 1615)



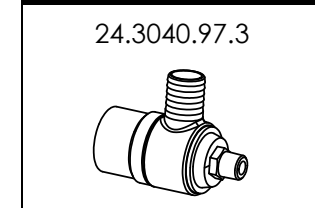
OPTIONAL FRONT



REAR



SAFETY VALVE



*from 01/25
 **before 01/25

MATERIALE - MATERIAL	KIT MEMBRANE - DIAPHRAGMS KIT						KIT VALVOLE - VALVES KIT		KIT POMPA - PUMP KIT		
	BUNA-N	DURAMAX	DESMOPAN	HPS	PENTAX	VITON	/		VD-VP	VM-VC	
STD. - OPT.	STD.	OPT.	OPT.	OPT.	OPT.	OPT.	STD.				
CODICE - CODE	40.9802.97.3	40.9803.97.3DS	40.9803.97.3	40.9804.97.3	40.9811.97.3	40.9805.97.3	40.9808.97.3		40.9806.97.3	40.9807.97.3	
COMPONENTI COMPONENTS	■	▲	●	▼	◆	■	○		□	◇	

INFORMAZIONI UTILI - USEFUL INFORMATION				
OLIO - OIL	OLIO MOTORE O SEMIIDRAULICO SAE 75-W90 MOTOR OIL OR SEMI-HYDRAULIC OIL SAE 75-W90			
PRESSIONE DI LAVORO OPERATING PRESSURE	2 ÷ 5	5 ÷ 10	10 ÷ 20	20 ÷ 50
ACCUMULATORE	2	2 ÷ 5	5 ÷ 7	6 ÷ 8