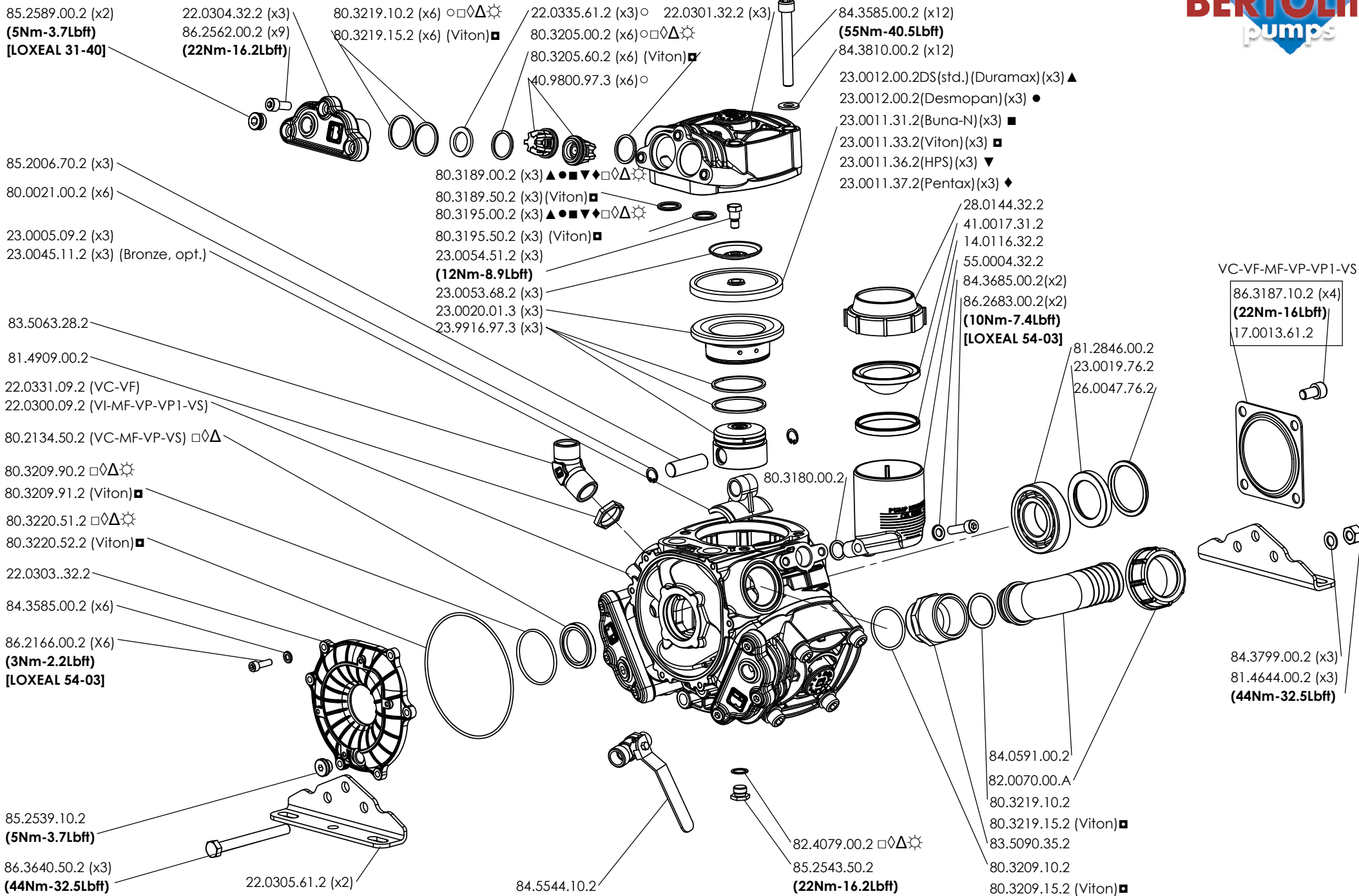
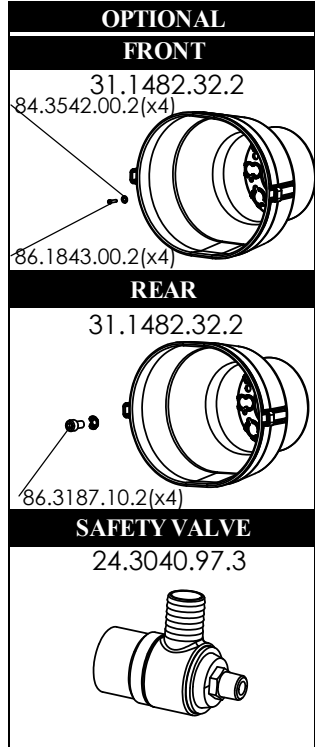
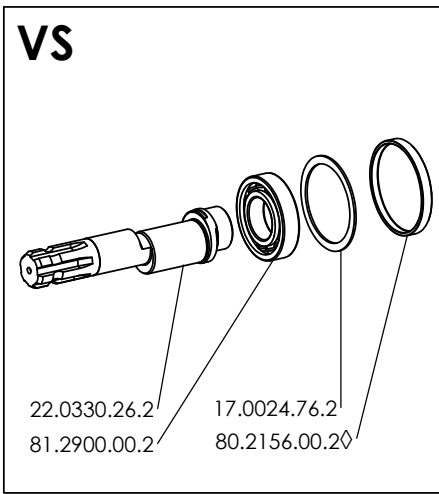
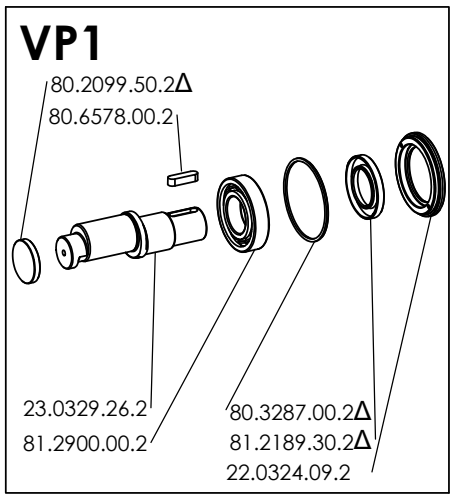
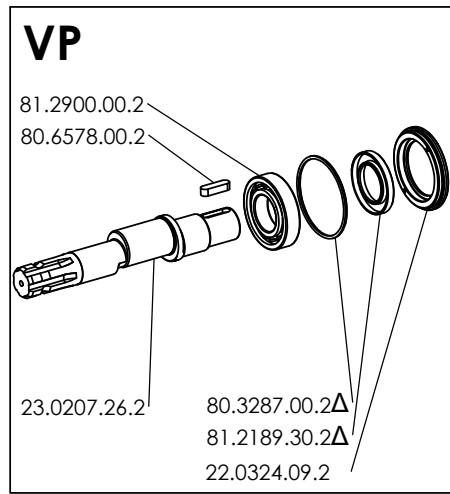
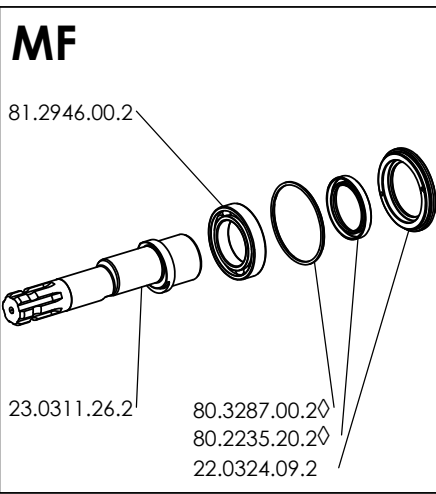
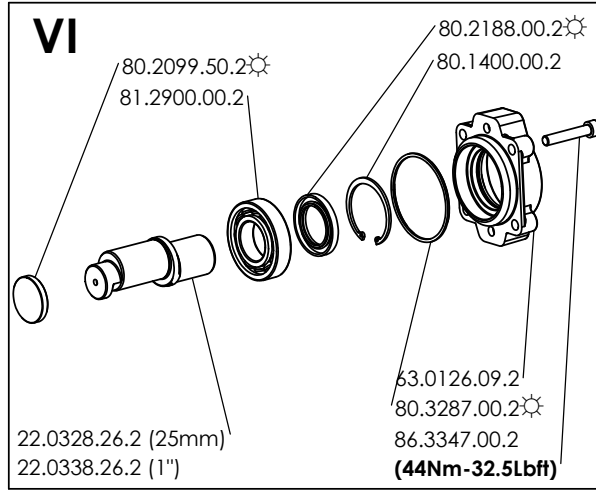
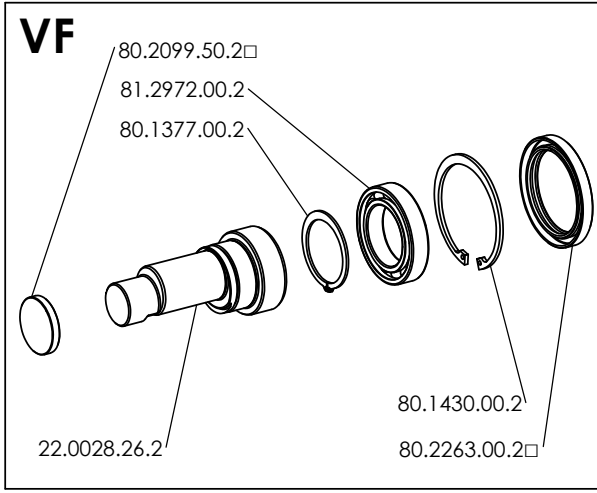
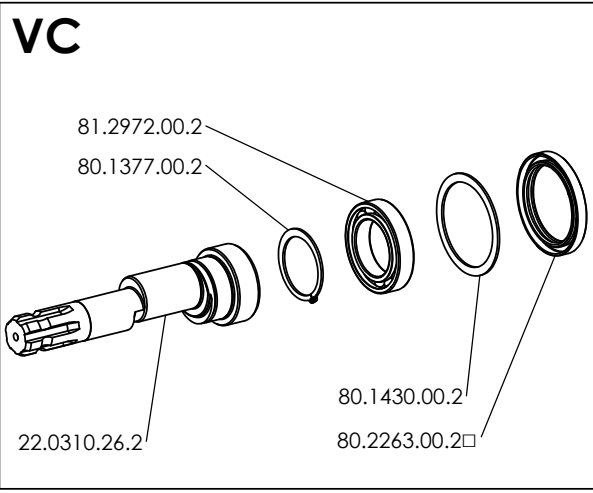


PRODOTTO/PRODUCT: PPS 550

VERSIONI/VERSION: VC-VF-VI-MF-VP-VP1-VS





| MATERIALE - MATERIAL STD. - OPT. | KIT MEMBRANE - DIAPHRAGMS KIT | | | | | | KIT VALVOLE - VALVES KIT | KIT POMPA - PUMP KIT | | | |
|-------------------------------------|-------------------------------|------------------|----------------|--------------|---------------|----------------|--------------------------|----------------------|--------------|--------------|--------------|
| | DURAMAX STD. | DESMOPAN OPT. | BUNA-N OPT. | HPS OPT. | VITON OPT. | PENTAX OPT. | AISI 316 STD. | VC-VF | MF-VS | VP-VP1 | VI |
| CODICE - CODE | 22.9801.97.3DS | 22.9801.97.3 | 22.9800.97.3 | 22.9803.97.3 | 22.9802.97.3 | 22.9804.97.3 | 22.9805.97.3 | 22.9806.97.3 | 22.9807.97.3 | 22.9808.97.3 | 22.9809.97.3 |
| COMPONENTI COMPONENTS | ▲ | ● | ■ | ▼ | ◻ | ◆ | ○ | □ | ◇ | △ | ☼ |

| INFORMAZIONI UTILI - USEFUL INFORMATION | | | | |
|-----------------------------------------|--------------------------------------------------------------------------------------|--------|---------|---------|
| OLIO - OIL | OLIO MOTORE O SEMIIDRAULICO SAE 75-W90 MOTOR OIL OR SEMI-HYDRAULIC OIL SAE 75-W90 | | | |
| PRESSIONE DI LAVORO OPERATING | 2 ÷ 5 | 5 ÷ 10 | 10 ÷ 20 | 20 ÷ 50 |
| ACCUMULATORE | / | / | / | / |