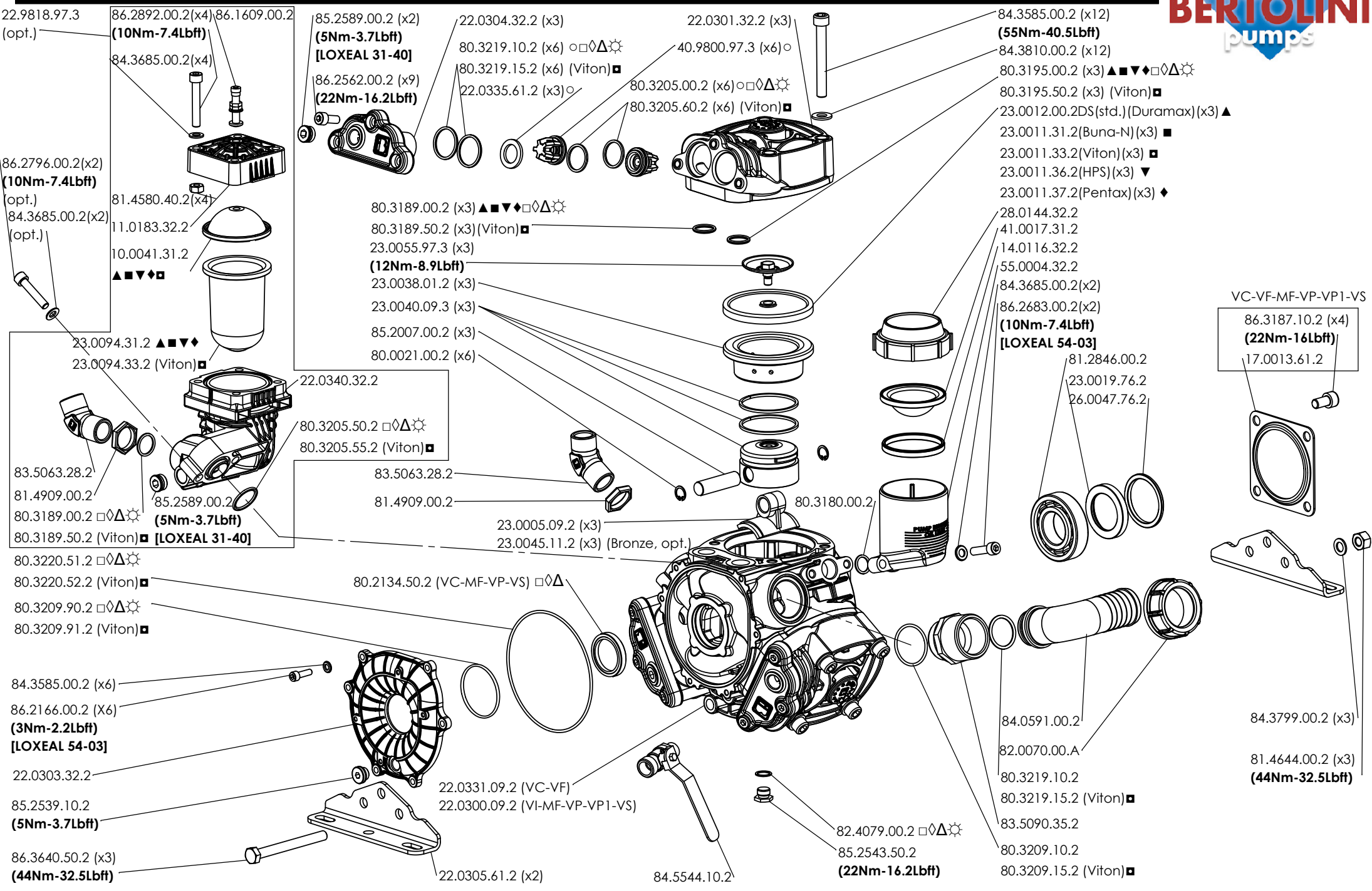
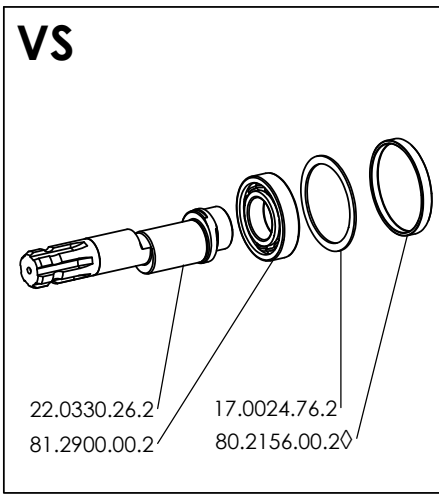
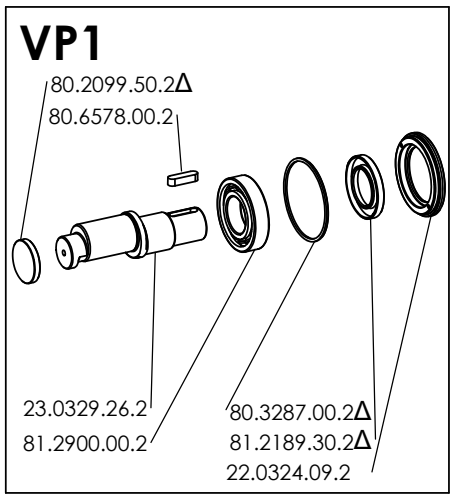
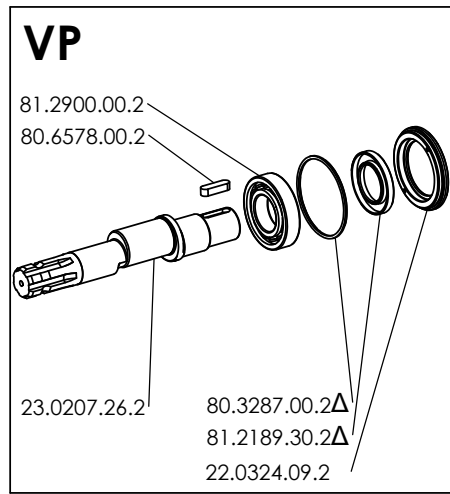
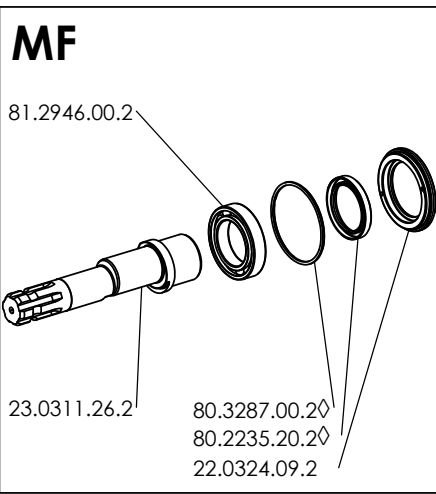
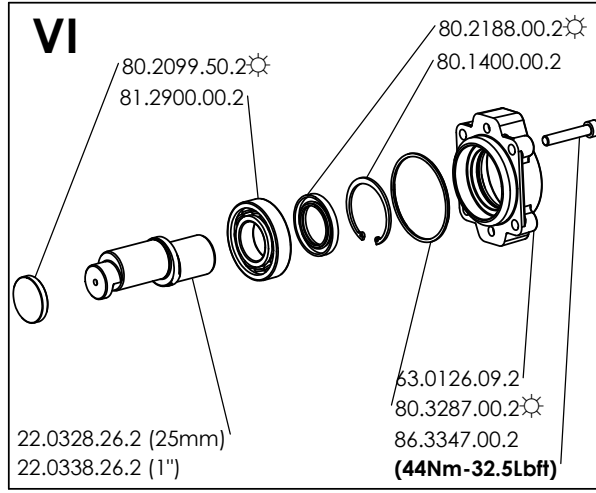
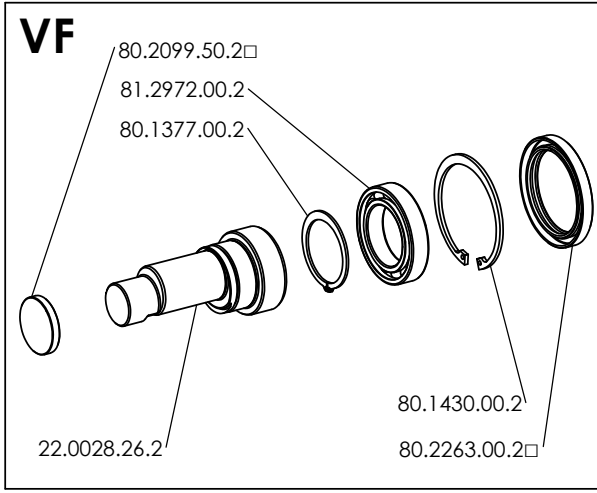
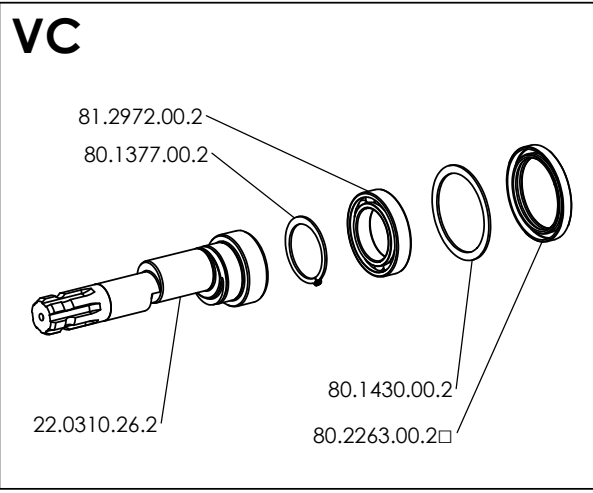


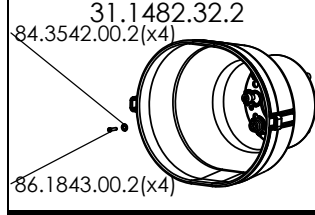
PRODOTTO/PRODUCT: PPS 750

VERSIONI/VERSION: VC-VF-VI-MF-VP-VP1-VS

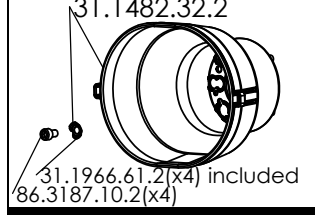




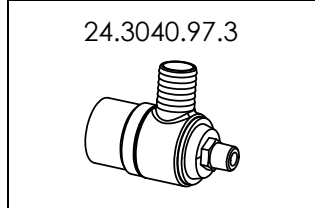
OPTIONAL FRONT



REAR



SAFETY VALVE



MATERIALE - MATERIAL	KIT MEMBRANE - DIAPHRAGMS KIT					KIT VALVOLE - VALVES KIT	KIT POMPA - PUMP KIT			
	DURAMAX	BUNA-N	HPS	VITON	PENTAX	AISI 316	VC-VF	MF-VS	VP-VP1	VI
STD. - OPT.	STD.	OPT.	OPT.	OPT.	OPT.	STD.				
CODICE - CODE	22.9813.97.3DS	22.9814.97.3	22.9815.97.3	22.9812.97.3	22.9816.97.3	22.9805.97.3	22.9819.97.3	22.9820.97.3	22.9821.97.3	22.9822.97.3
COMPONENTI COMPONENTS	▲	■	▼	■	◆	○	□	◇	△	☀

INFORMAZIONI UTILI - USEFUL INFORMATION				
OLIO - OIL	OLIO MOTORE O SEMIIDRAULICO SAE 75-W90 MOTOR OIL OR SEMI-HYDRAULIC OIL SAE 75-W90			
PRESSIONE DI LAVORO OPERATING	2 ÷ 5	5 ÷ 10	10 ÷ 20	20 ÷ 50
ACCUMULATORE	2	2 ÷ 5	5 ÷ 7	6 ÷ 8