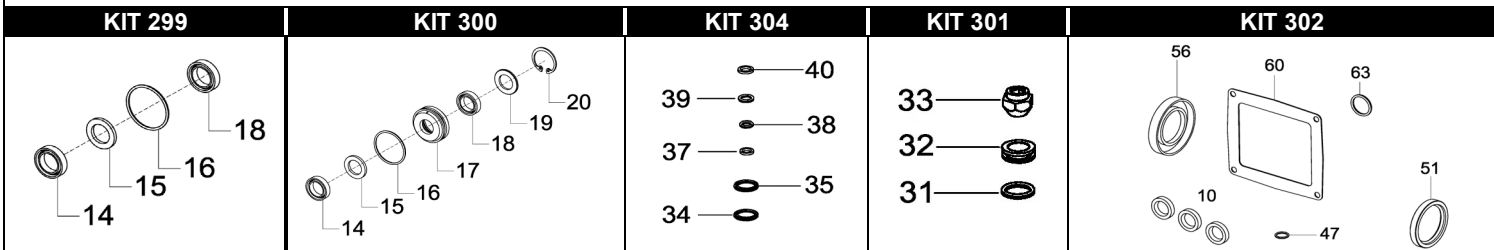
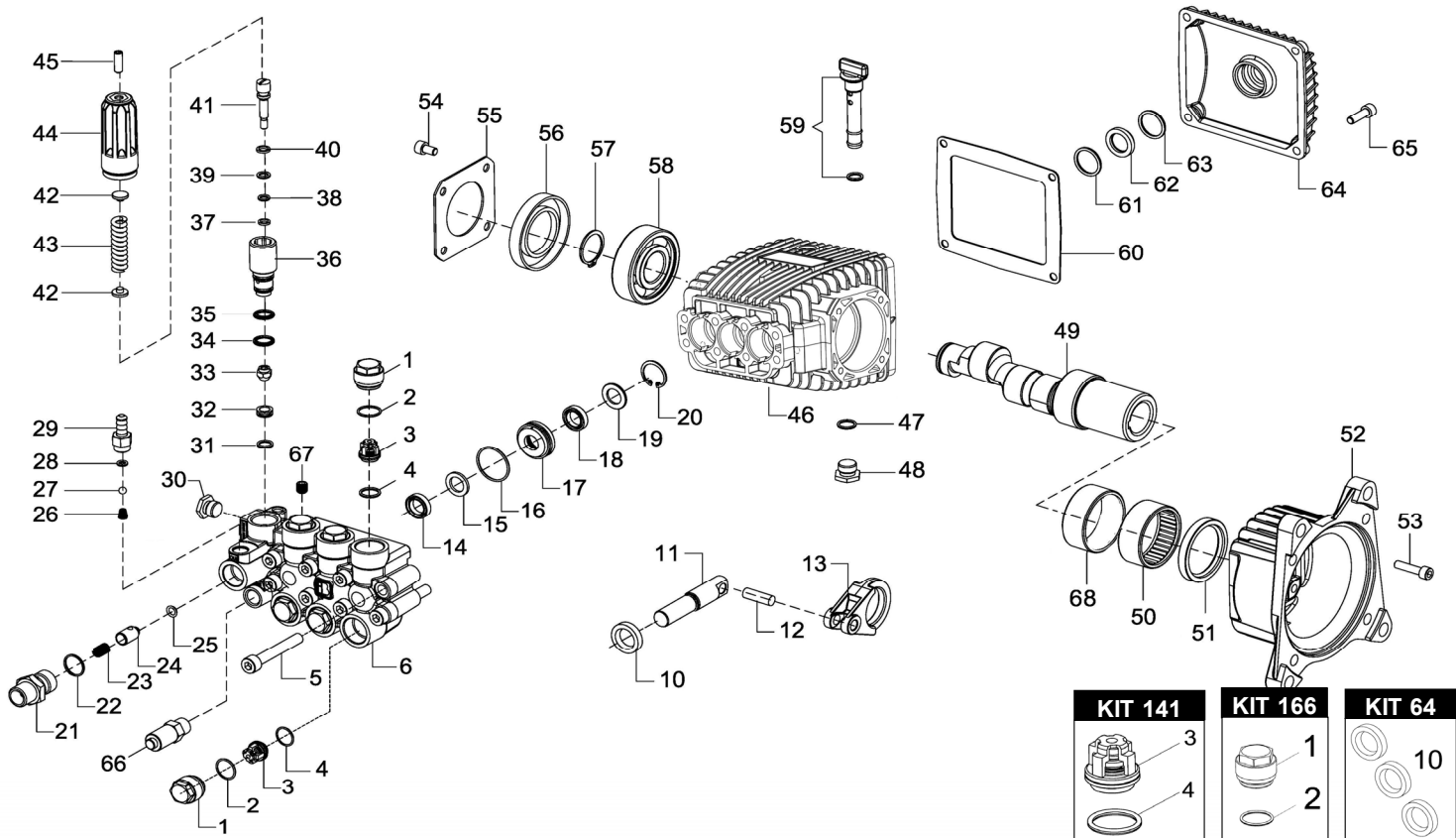


3"P"G 4040-W 4035-W 4030-W 4025-W



| POS. | CODICE PART NO. RÉF. | DENOMINAZIONE - DESCRIPTION - DESCRIPTION | Q.TY | POS. | CODICE PART NO. RÉF. | DENOMINAZIONE - DESCRIPTION - DESCRIPTION | Q.TY |
|----------------|----------------------|---|------|-------------------|---------------------------|---|-------------|
| 1-kit 166 | 040365282 | VALVE CAP | 6 | 40-kit 304 | 020171322 | ANTIEXTRUSION RING | 1 |
| 2-kit 166 | 803065002 | O-RING DIA.1,78X14 | 6 | 41 | 020160512 | VRP PISTON | 1 |
| 3-kit 141 | 019802973 | VALVE ASSY | 6 | 42 | 090058532 | WASHER | 2 |
| 4-kit 141 | 803061002 | O-RING DIA.1,78X12,42 | 6 | 43 | 050067492 | VRP SPRING | 1 |
| 5 | 862900002 | BOLT M8X55 UNI 5931 | 8 | 44 | 020158322 | VRP ADJUSTING KNOB | 1 |
| 6 | 020155282 | PUMP HEAD | 1 | 45 | 862112202 | BOLT M6X18 UNI 5923 | 1 |
| 10-kit 64-302 | 802035002 | OIL SEAL DIA.15X24X5 | 3 | 46 | 020179092 | CRANKCASE | 1 |
| 11 | 020181512 | INTEGRAL PLUNGER ROD | 3 | 47-kit 302 | 803057002 | O-RING DIA.1,78X9,25 | 1 |
| 12 | 852003002 | PISTON PIN DIA.8X25 | 3 | 48 | 852543502 | PLUG G.1/4" | 1 |
| 13 | 040116112 | CONROD | 3 | 49/1 | 020167262 | 1" HOLLOW CRANKSHAFT 3"P"G 4040-W | 1 |
| 14-kit 299-300 | 802017002 | U PACKING DIA.13X20 (HP) | 3 | 49/2 | 020168262 | 1" HOLLOW CRANKSHAFT 3"P"G 4035-W | 1 |
| 15-kit 299-300 | 020163322 | ANTIEXTRUSION RING | 3 | 49/3 | 020169262 | 1" HOLLOW CRANKSHAFT 3"P"G 4030-W | 1 |
| 16-kit 299-300 | 803073002 | O-RING DIA.1,78X23,52 | 3 | 49/4 | 020170262 | 1" HOLLOW CRANKSHAFT 3"P"G 4025-W | 1 |
| 17-kit 300 | 020156532 | GLAND | 3 | 50 | 812916002 | NEEDLE BEARING | 1 |
| 18-kit 299-300 | 802018002 | U PACKING DIA.13X20 (LP) | 3 | 51-kit 302 | 802188002 | OIL SEAL DIA.40X52X7 (BEFORE 08-23) | 1 |
| 19-kit 300 | 020157532 | WASHER | 3 | 51-kit 302 | 802188502 | OIL SEAL DIA.40X52X7 VITON (FROM 09-23) | 1 |
| 20-kit 300 | 801161302 | SNAP RING DIA.22 UNI 7437 | 3 | 52 | 070077092 | GAS ENGINE FLANGE SAE 1" | 1 |
| 21/1 | 0201625323 | NIPPLE G.3/8" 3"P"G 4040-W | 1 | 53 | 862216002 | BOLT M6X25 UNI 5931 | 4 |
| 21/2 | 0201625321 | NIPPLE G.3/8" 3"P"G 4035-W | 1 | 54 | 861955002 | BOLT M6X10 UNI 5931 | 4 |
| 21/3 | 0201625318 | NIPPLE G.3/8" 3"P"G 4030-4025-W | 1 | 55 | 050045612 | COVER | 1 |
| 22 | 803010002 | O-RING DIA.1,5X15 | 1 | 56-kit 302 | 802101002 | CAP 62X10 | 1 |
| 23 | 050298512 | SPRING | 1 | 57 | 801185002 | SNAP RING DIA.25 UNI 7435 | 1 |
| 24 | 020175532 | CHECK POPPET | 1 | 58 | 812725002 | BALL BEARING | 1 |
| 25 | 803116102 | O-RING DIA.2,5X5 VITON | 1 | 59 | 049832973 | OIL FILLER PLUG | 1 |
| 26 | 050290512 | TAPERED SPRING | 1 | 60-kit 302 | 050050722 | CRANKCASE COVER GASKET | 1 |
| 27 | 847413002 | BALL SS | 1 | 61 | 801184002 | SNAP RING | 1 |
| 28 | 803049002 | O-RING DIA.1,78X5,28 | 1 | 62 | 040120322 | OIL SIGHT GLASS | 1 |
| 29 | 050331002 | DETERGENT CONNECTOR | 1 | 63-kit 302 | 803189002 | O-RING DIA.2,62X18,72 | 1 |
| 30 | 852543502 | PLUG G.1/4" | 1 | 64 | 040106092 | CRANKCASE COVER | 1 |
| 31-kit 301 | 803056002 | O-RING DIA.1,78X8,73 | 1 | 65 | 862167502 | BOLT M6X20 DIN 7500E | 4 |
| 32-kit 301 | 020161512 | VALVE SEAT | 1 | 66 | 861629002 | THERMAL VALVE G.1/4" | 1 |
| 33-kit 301 | 050110512 | VALVE POPPET | 1 | 67 | 852522002 | BOLT M8X1 DIN 906 | 1 |
| 34-kit 304 | 803059002 | O-RING DIA.1,78X11,11 | 1 | 68 | 020180412 | BUSHING FOR BEARING | 1 |
| 35-kit 304 | 803060002 | O-RING DIA.1,78X12,42 | 1 | | | | |
| 36 | 020174532 | VRP NIPPLE | 1 | | | | |
| 37-kit 304 | 020172322 | ANTIEXTRUSION RING | 1 | | | | |
| 38-kit 304 | 803049002 | O-RING DIA.1,78X5,28 | 1 | | | | |
| 39-kit 304 | 803052502 | O-RING DIA.1,78X6,75 | 1 | | | | |
| | | | | REPAIR KIT | ITEM NO.s INCLUDED | | PCS. |
| | | | | kit 64 | 049836973 | SPARE PARTS KIT | 3 |
| | | | | kit 141 | 019826973 | SPARE PARTS KIT | 12 |
| | | | | kit 166 | 049960973 | SPARE PARTS KIT | 12 |
| | | | | kit 299 | 029839973 | SPARE PARTS KIT | 12 |
| | | | | kit 300 | 029840973 | SPARE PARTS KIT | 21 |
| | | | | kit 301 | 029841973 | SPARE PARTS KIT | 3 |
| | | | | kit 302 | 029842973 | SPARE PARTS KIT | 8 |
| | | | | kit 304 | 029843973 | SPARE PARTS KIT | 6 |