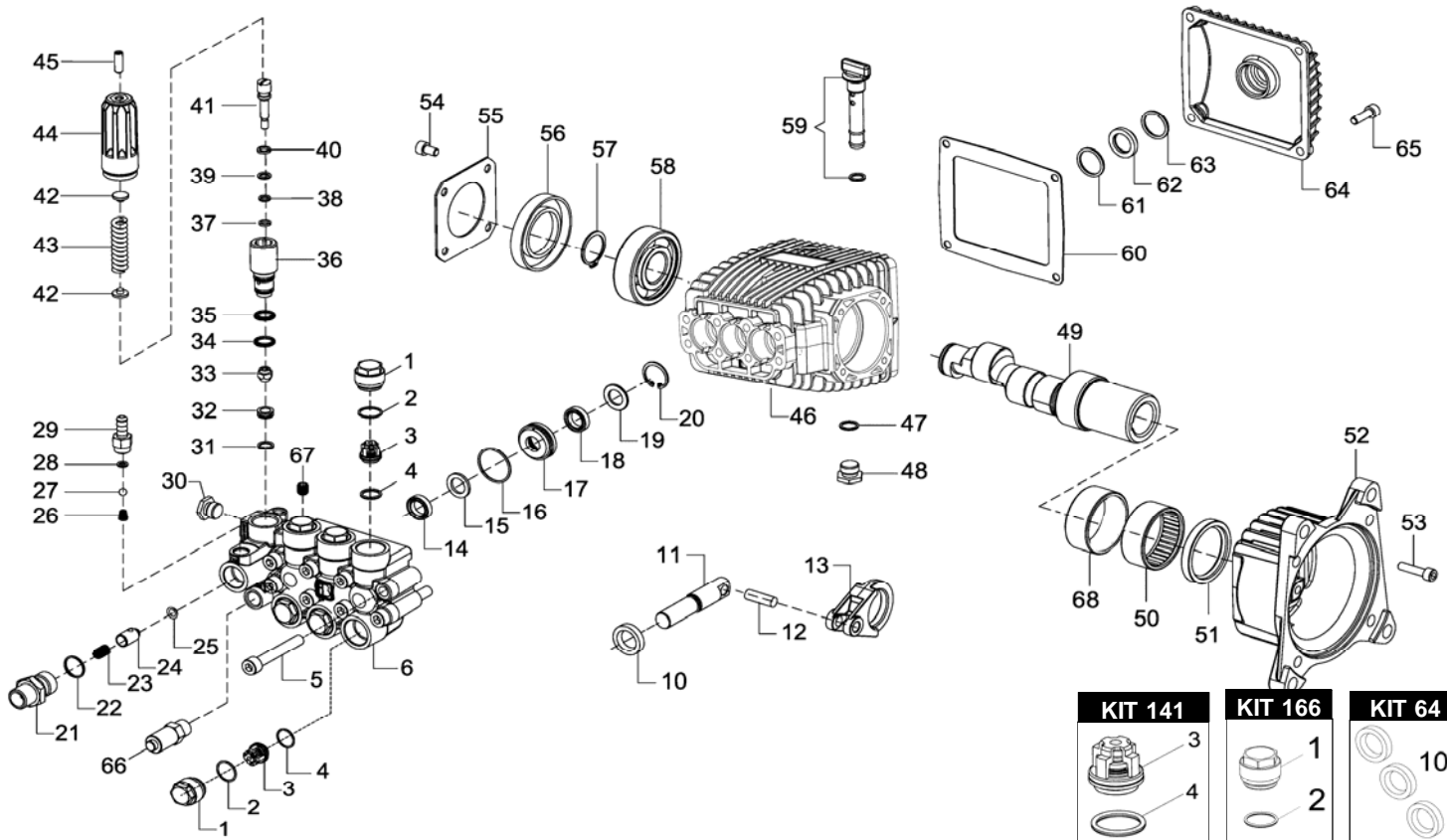


3"P"G 4040-W 4035-W 4030-W 4025-W



KIT 299	KIT 300	KIT 304	KIT 301	KIT 302
14, 15, 16, 18	14, 15, 16, 17, 18, 19, 20	34, 35, 37, 38, 39, 40	31, 32, 33	10, 47, 51, 56, 60, 63

POS.	CODICE PART NO. RÉF.	DENOMINAZIONE - DESCRIPTION - DESCRIPTION	Q.TY	POS.	CODICE PART NO. RÉF.	DENOMINAZIONE - DESCRIPTION - DESCRIPTION	Q.TY
1-kit 166	040365532	VALVE CAP	6	40-kit 304	020171322	ANTIEXTRUSION RING	1
2-kit 166	803065002	O-RING DIA.1,78X14	6	41	020160512	VRP PISTON	1
3-kit 141	019802973	VALVE ASSY	6	42	090058532	WASHER	2
4-kit 141	803061002	O-RING DIA.1,78X12,42	6	43	050067492	VRP SPRING	1
5	862900002	BOLT M8X55 UNI 5931	8	44	020158322	VRP ADJUSTING KNOB	1
6	020155282	PUMP HEAD	1	45	862112202	BOLT M6X18 UNI 5923	1
10-kit 64-302	802035002	OIL SEAL DIA.15X24X5	3	46	020179092	CRANKCASE	1
11	020181512	INTEGRAL PLUNGER ROD	3	47-kit 302	803057002	O-RING DIA.1,78X9,25	1
12	852003002	PISTON PIN DIA.8X25	3	48	852543502	PLUG G.1/4"	1
13	040116112	CONROD	3	49/1	020167262	1" HOLLOW CRANKSHAFT 3"P"G 4040-W	1
14-kit 299-300	802017002	U PACKING DIA.13X20 (HP)	3	49/2	020168262	1" HOLLOW CRANKSHAFT 3"P"G 4035-W	1
15-kit 299-300	020163322	ANTIEXTRUSION RING	3	49/3	020169262	1" HOLLOW CRANKSHAFT 3"P"G 4030-W	1
16-kit 299-300	803073002	O-RING DIA.1,78X23,52	3	49/4	020170262	1" HOLLOW CRANKSHAFT 3"P"G 4025-W	1
17-kit 300	020156532	GLAND	3	50	812916002	NEEDLE BEARING	1
18-kit 299-300	802018002	U PACKING DIA.13X20 (LP)	3	51-kit 302	802188002	OIL SEAL DIA.40X52X7	1
19-kit 300	020157532	WASHER	3	52	070077092	GAS ENGINE FLANGE SAE 1"	1
20-kit 300	801161302	SNAP RING DIA.22 UNI 7437	3	53	862216002	BOLT M6X25 UNI 5931	4
21/1	0201625323	NIPPLE G.3/8" 3"P"G 4040-W	1	54	861955002	BOLT M6X10 UNI 5931	4
21/2	0201625321	NIPPLE G.3/8" 3"P"G 4035-W	1	55	050045612	COVER	1
21/3	0201625318	NIPPLE G.3/8" 3"P"G 4030-4025-W	1	56-kit 302	802101002	CAP 62X10	1
22	803010002	O-RING DIA.1,5X15	1	57	801185002	SNAP RING DIA.25 UNI 7435	1
23	050298512	SPRING	1	58	812725002	BALL BEARING	1
24	020175532	CHECK POPPET	1	59	049832973	OIL FILLER PLUG	1
25	803116102	O-RING DIA.2,5X5 VITON	1	60-kit 302	050050722	CRANKCASE COVER GASKET	1
26	050290512	TAPERED SPRING	1	61	801184002	SNAP RING	1
27	847413002	BALL SS	1	62	040120322	OIL SIGHT GLASS	1
28	803049002	O-RING DIA.1,78X5,28	1	63-kit 302	803189002	O-RING DIA.2,62X18,72	1
29	050331002	DETERGENT CONNECTOR	1	64	040106092	CRANKCASE COVER	1
30	852543502	PLUG G.1/4"	1	65	862167502	BOLT M6X20 DIN 7500E	4
31-kit 301	803056002	O-RING DIA.1,78X8,73	1	66	861629002	THERMAL VALVE G.1/4"	1
32-kit 301	020161512	VALVE SEAT	1	67	852522002	BOLT M8X1 DIN 906	1
33-kit 301	050110512	VALVE POPPET	1	68	020180412	BUSHING FOR BEARING	1
34-kit 304	803059002	O-RING DIA.1,78X11,11	1				
35-kit 304	803060002	O-RING DIA.1,78X12,42	1				
36	020174532	VRP NIPPLE	1				
37-kit 304	020172322	ANTIEXTRUSION RING	1				
38-kit 304	803049002	O-RING DIA.1,78X5,28	1				
39-kit 304	803052502	O-RING DIA.1,78X6,75	1				

REPAIR KIT	ITEM NO.s INCLUDED	PCS.
Kit 64	049836973	3
Kit 141	019826973	12
Kit 166	049960973	12
Kit 299	029839973	12
Kit 300	029840973	21
Kit 301	029841973	3
Kit 302	029842973	8
Kit 304	029843973	6