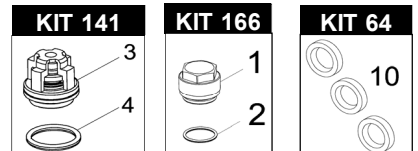
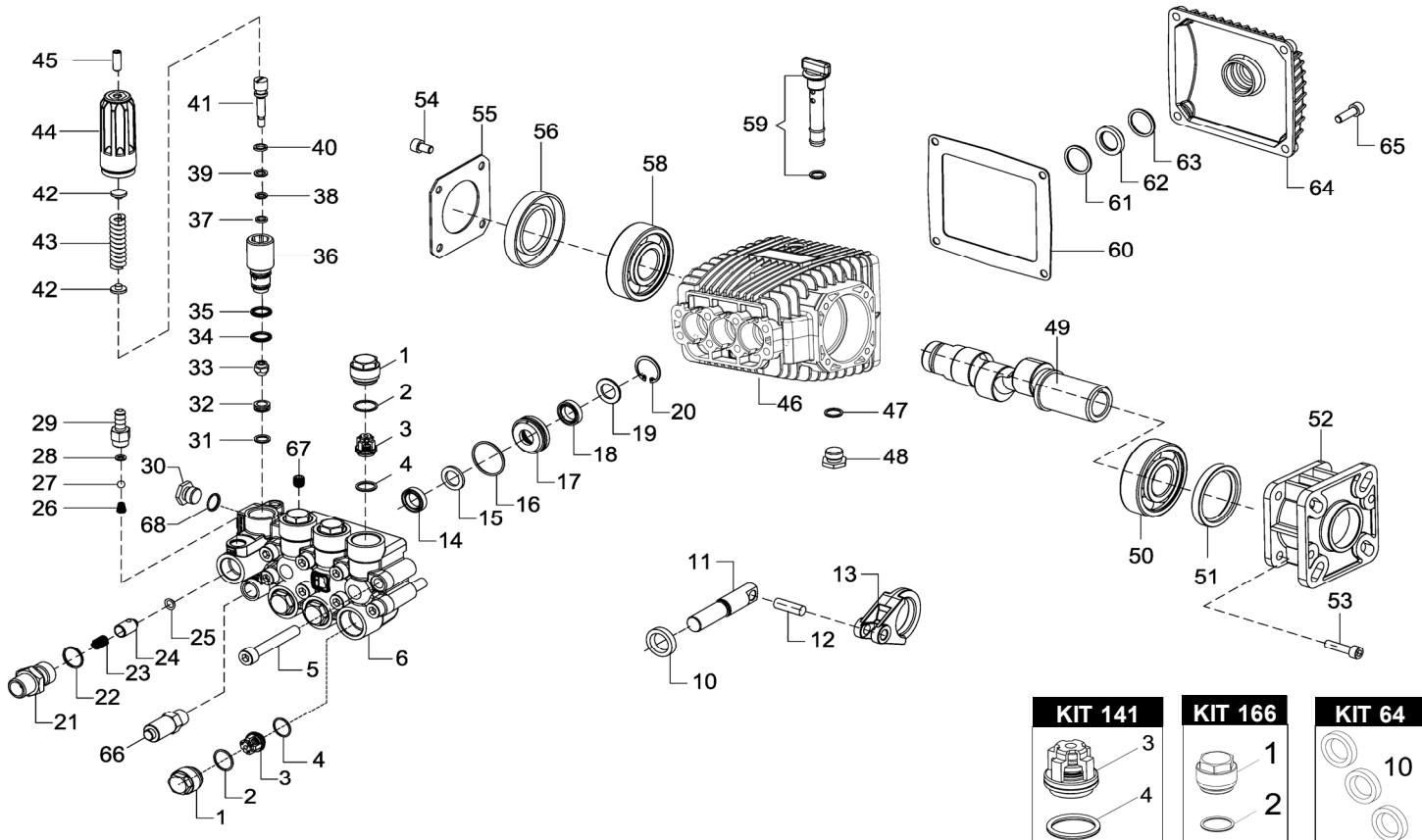


# 3"P"G 1940-W 2235-W 2630-W 3025-W



KIT 299	KIT 300	KIT 304	KIT 301	KIT 356
14, 15, 16, 18	14, 15, 16, 17, 18, 19, 20	34, 35, 37, 38, 39, 40	31, 32, 33	10, 47, 51, 56, 60, 63

POS.	CODICE PART NO. RÉF.	DENOMINAZIONE - DESCRIPTION - DESCRIPTION	Q.TY	POS.	CODICE PART NO. RÉF.	DENOMINAZIONE - DESCRIPTION - DESCRIPTION	Q.TY
1-kit 166	040365532	VALVE CAP	6	39-kit 304	803052502	O-RING DIA.1,78X6,75	1
2-kit 166	803065002	O-RING DIA.1,78X14	6	40-kit 304	020171322	ANTIEXTRUSION RING	1
3-kit 141	019802973	VALVE ASSY	6	41	020160512	VRP PISTON	1
4-kit 141	803061002	O-RING DIA.1,78X12,42	6	42	090058532	WASHER	2
5	862900002	BOLT M8X55 UNI 5931	8	43	050080492	VRP SPRING	1
6	020155282	PUMP HEAD	1	44	020158322	VRP ADJUSTING KNOB	1
10-kit 64-82	802035002	OIL SEAL DIA.15X24X5	3	45	862112202	BOLT M6X18 UNI 5923	1
11	020181512	INTEGRAL PLUNGER ROD	3	46	020179092	CRANKCASE	1
12	852003002	PISTON PIN DIA.8X25	3	47-kit 82	803057002	O-RING DIA.1,78X9,25	1
13	040115092	CONROD	3	48	852543502	PLUG G.1/4"	1
14-kit 299-300	802017002	U PACKING DIA.13X20 (HP)	3	49/1	040487262	3/4" HOLLOW CRANKSHAFT 3"P"G 1940-W	1
15-kit 299-300	020163322	ANTIEXTRUSION RING	3	49/2	040486262	3/4" HOLLOW CRANKSHAFT 3"P"G 2235-W	1
16-kit 299-300	803073002	O-RING DIA.1,78X23,52	3	49/3	040156262	3/4" HOLLOW CRANKSHAFT 3"P"G 2630-W	1
17-kit 300	020156532	GLAND	3	49/4	040155262	3/4" HOLLOW CRANKSHAFT 3"P"G 3025-W	1
18-kit 299-300	802018002	U PACKING DIA.13X20 (LP)	3	50	812750002	BALL BEARING	1
19-kit 300	020157532	WASHER	3	51-kit 82	802125502	OIL SEAL DIA.30X62X7	1
20-kit 300	801161302	SNAP RING DIA.22 UNI 7437	3	52	040329092	GAS ENGINE FLANGE SAE 3/4"	1
21/1	0201625323	NIPPLE G.3/8" 3"P"G 1940-W	1	53	862166002	BOLT M6X20 UNI 5931	4
21/2	0201625321	NIPPLE G.3/8" 3"P"G 2235-W	1	54	861955002	BOLT M6X10 UNI 5931	4
21/3	0201625318	NIPPLE G.3/8" 3"P"G 2630-3025-W	1	55	050045612	COVER	1
22	803010002	O-RING DIA.1,5X15	1	56-kit 82	802101002	CAP	1
23	050298512	SPRING	1	58	812725002	BALL BEARING	1
24	020175532	CHECK POPPET	1	59	049832973	OIL FILLER PLUG	1
25	803116102	O-RING DIA.2,5x5 VITON	1	60-kit 82	050050722	CRANKCASE COVER GASKET	1
26	050290512	TAPERED SPRING	1	61	801184002	SNAP RING	1
27	847413002	BALL SS	1	62	040120322	OIL SIGHT GLASS	1
28	803049002	O-RING DIA.1,78X5,28	1	63-kit 82	803189002	O-RING DIA.2,62X18,72	1
29	050331002	DETERGENT CONNECTOR	1	64	040106092	CRANKCASE COVER	1
30	852543502	PLUG G.1/4"	1	65	862167502	BOLT M6X20 DIN7500E	4
31-kit 301	803056002	O-RING DIA.1,78X8,73	1	66	861629002	THERMAL VALVE G.1/4"	1
32-kit 301	020161512	VALVE SEAT	1	67	852522002	BOLT M8X1 DIN 906	1
33-kit 301	050110512	VALVE POPPET	1	68	824079002	COPPER WASHER	1
34-kit 304	803059002	O-RING DIA.1,78X11,11	1				
35-kit 304	803060002	O-RING DIA.1,78X12,42	1				
36	020174532	VRP NIPPLE	1				
37-kit 304	020172322	ANTIEXTRUSION RING	1				
38-kit 304	803049002	O-RING DIA.1,78X5,28	1				
REPAIR KIT	ITEM NO.s INCLUDED						PCS.
kit 64	049836973	SPARE PARTS KIT	3				
kit 141	019826973	SPARE PARTS KIT	12				
kit 166	049960973	SPARE PARTS KIT	12				
kit 299	029839973	SPARE PARTS KIT	12				
kit 300	029840973	SPARE PARTS KIT	21				
kit 301	029841973	SPARE PARTS KIT	3				
kit 304	029843973	SPARE PARTS KIT	6				
kit 356	029846973	KIT RICAMBI	8				