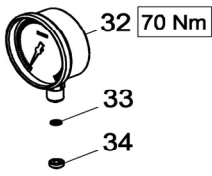
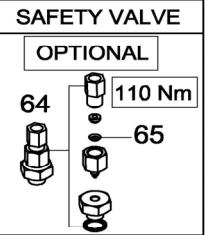
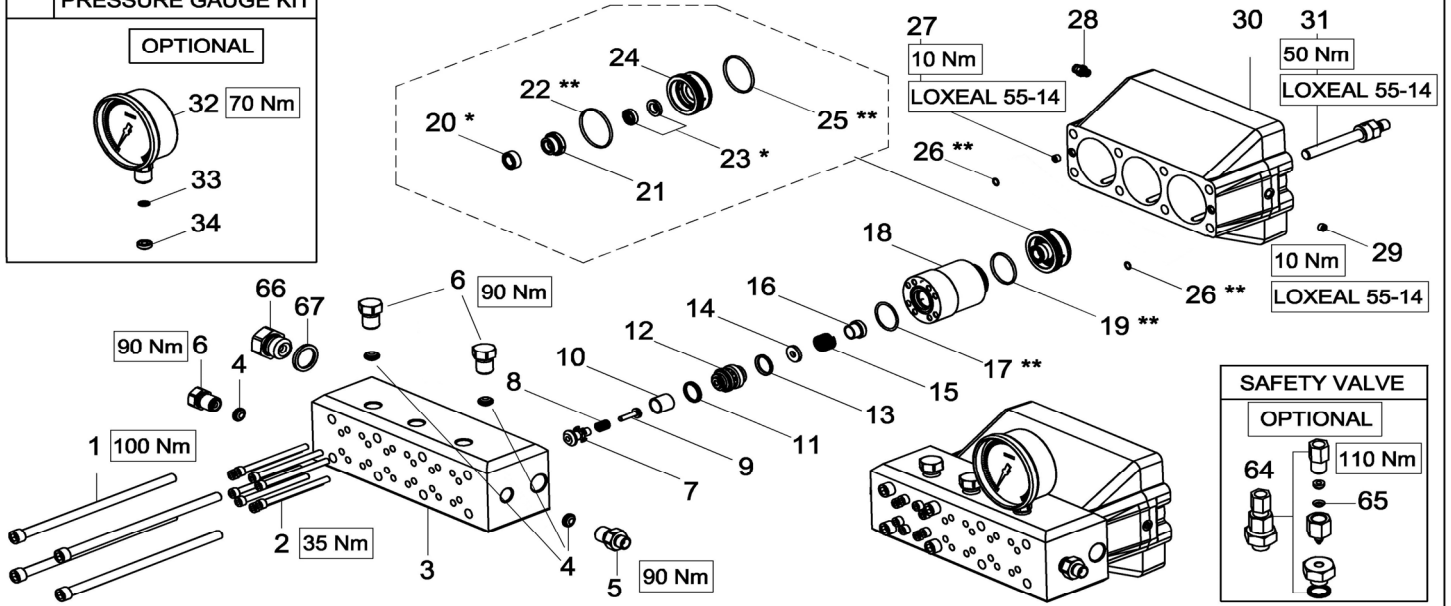


## 35 KIT MANOMETRO PRESSURE GAUGE KIT

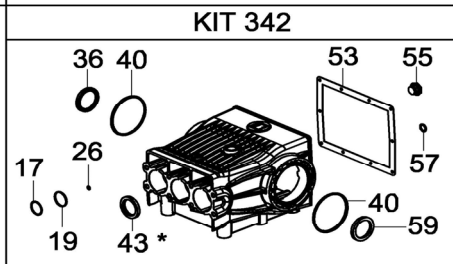
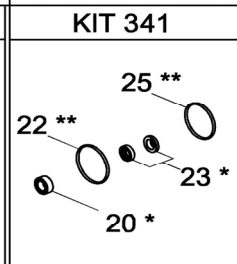
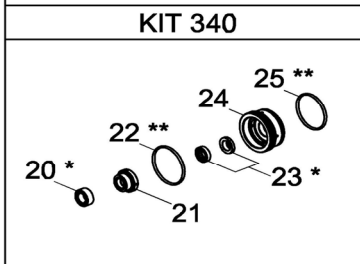
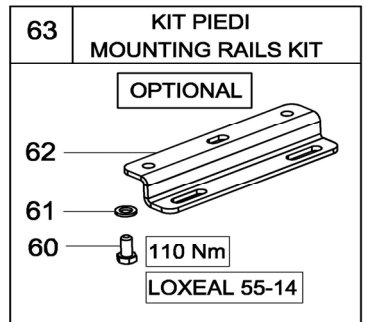
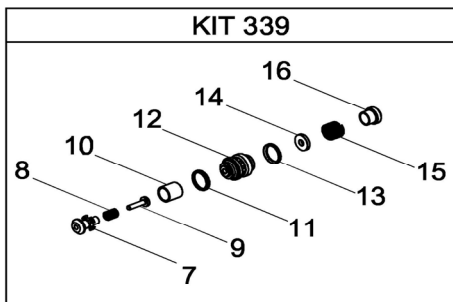
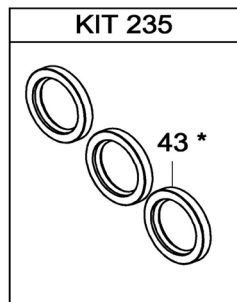
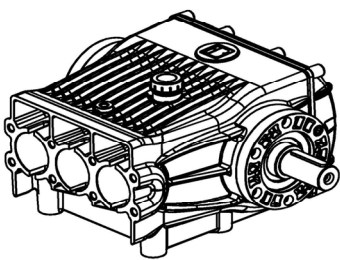
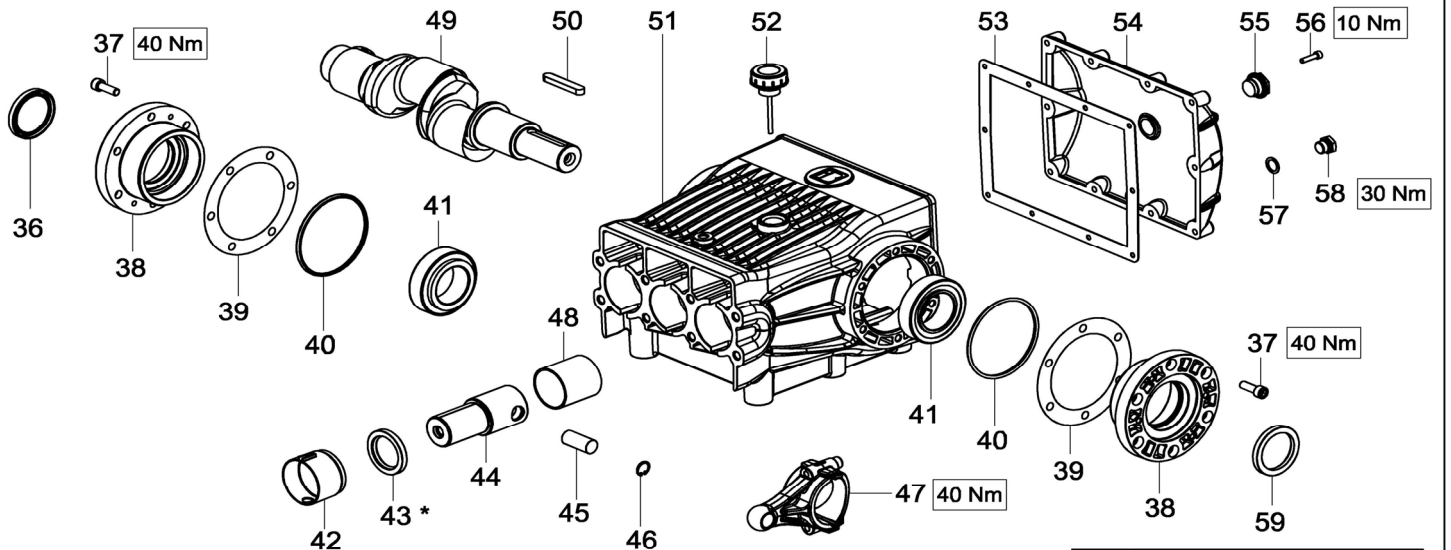
OPTIONAL



## PARTE IDRAULICA - HYDRAULIC PART



## PARTE MECCANICA - MECHANICAL PART



**NOTE / NOTES**  
(\* ) INGRASSARE CON GRASSO SPECIFICO PER GUARNIZIONI TIPO BERULUB FG-H2 SL / GREASE WITH SPECIFIC GREASE FOR SEALS SUCH AS BERULUB FG-H2 SL  
(\*\* ) INGRASSARE CON GRASSO AL SILICONE / GREASE WITH SILICONE GREASE

POS.	CODICE PART NO. REF.	DENOMINAZIONE - DESCRIPTION - DESCRIPTION	Q.TY	POS.	CODICE PART NO. REF.	DENOMINAZIONE - DESCRIPTION - DESCRIPTION	Q.TY	
1	864139502	BOLT M12X260 UNI 5931 12.9	8	42	740088322	OIL SEAL SPACER	3	
2	863080102	BOLT M8X110 UNI 5931 12.9	24	43-KIT 235-307	802194002	OIL SEAL DIA.45X65X8	3	
3	740156542	PUMP HEAD	1	44	740125512	PLUNGER ROD	3	
4	835101002	HIGH PRESSURE CONIC PAD	5	45	740008492	PLUNGER ROD PIN	3	
5	835051602	NIPPLE G. 1/2" HP-G. 3/8" 60°	1	46	800009002	SNAP RING DIA.20	6	
6	858629802	PLUG G. 1/2" HP	4	47	740086112	CONNECTING ROD	3	
7-KIT 304	740157522	VALVE GUIDE	3	48	804466002	BUSHING DIA.55X60X60	3	
8-KIT 304	740172512	VALVE SPRING-OUTLET SIDE	3	49	740069262	CRANKSHAFT	1	
9-KIT 304	740170512	VALVE POPPET-OUTLET SIDE	3	50	806587002	TAP 12X8X70 UNI 6604	1	
10-KIT 304	740158522	VALVE SPACER	3	51	740001082	PUMP CRANKCASE	1	
11-KIT 304	740160322	VALVE FRONT SEAL	3	52	853539002	OIL FILLER PLUG WITH VENT	1	
12-KIT 304	740159512	VALVE SEAT	3	53-KIT 307	740049722	BACK COVER SEAL	1	
13-KIT 304	740160322	VALVE FRONT SEAL	3	54	740002082	BACK COVER	1	
14-KIT 304	740162512	VALVE POPPET-INLET SIDE	3	55-KIT 307	853515502	OIL SIGHT GLASS	1	
15-KIT 304	740171512	VALVE SPRING-INLET SIDE	3	56	862261002	BOLT M6X30 UNI 5931	1	
16-KIT 304	740225512	SPRING GUIDE	3	57-KIT 307	824107002	PLUG SEAL	1	
17-KIT 307	803208302	O-RING DIA.2.62X36,14	3	58	852579002	PLUG G.3/8"	1	
18	740161512	SLEEVE	3	59-KIT 307	802251002	OIL SEAL DIA.55X72X8	1	
19-KIT 307	803209102	O-RING DIA.2.62X40,95	3	60	864140002	BOLT M14X30 UNI 5737 (OPTIONAL)	6	
20-KIT 305-306	802019502	HIGH PRESSURE SEAL DIA.14X24X9,3	3	61	844006002	WASHER DIA.16X27X1,5 (OPTIONAL)	6	
21-KIT 305	740166522	FRONT GLAND DIA.14	3	62	740030612	MOUNTING RAIL (OPTIONAL)	2	
22-KIT 305-306	803209902	O-RING DIA.2.62X53,65	3	63	749802973	MOUNTING RAIL KIT (OPTIONAL)	1	
23-KIT 305-306	802019302	LOW PRESSURE "U" PACKING DIA.14x22x7	3	64	861690973	SAFETY VALVE (OPTIONAL)	1	
24-KIT 305	740167522	REAR GLAND DIA.14	3	65	861690202	ROPTURE DISC 1137-1242 BAR (OPTIONAL)	1	
25-KIT 305-306	803209702	O-RING DIA.2.62X48,89	3	66	852695502	PLUG G.3/4" SS	1	
26-KIT 307	803056002	O-RING DIA. 1,78X8,73	2	67	824180002	GASKET DIA.27X36X1	1	
27	862469102	BOLT M8X12 UNI 5923 INOX	1					
28	840400002	FITTING FOR PIPE DIA.6-CONNECTION 1/8"	1					
29	852520102	PLUG 1/8" DIN 906 INOX	1					
30	740169072	CRANKCASE SPACER	1					
31	740168012	CERAMIC PISTON DIA.14	3					
32	830100002	PRESSURE GAUGE 0-1600 BAR (OPTIONAL)	1					
33	84366000.2	PRESSURE GAUGE SEAL (OPTIONAL)	1					
34	835102002	PRESSURE GAUGE CONIC PAD (OPTIONAL)	1					
35	745820973	PRESSURE GAUGE KIT (OPTIONAL)	1					
36-KIT 307	802099702	CAP	1					
37	863300002	BOLT M10X30 UNI 5931	12	<b>REPAIR KIT</b>			<b>ITEM NO,s INCLUDED</b>	<b>PCS.</b>
38	740022082	BEARING SUPPORT	2	KIT 235	745006973	SPARE PARTS KIT	3	
39	740050652	SHIM 0,1mm	1	KIT 339	745015973	SPARE PARTS KIT	30	
39	740051652	SHIM 0,2mm	2	KIT 340	745016973	SPARE PARTS KIT	21	
40-KIT 307	803291102	O-RING DIA.3.53X107,5	2	KIT 341	745017973	SPARE PARTS KIT	15	
41	812860002	CONICAL ROLLER BEARING 33111	2	KIT 342	745018973	SPARE PARTS KIT	15	