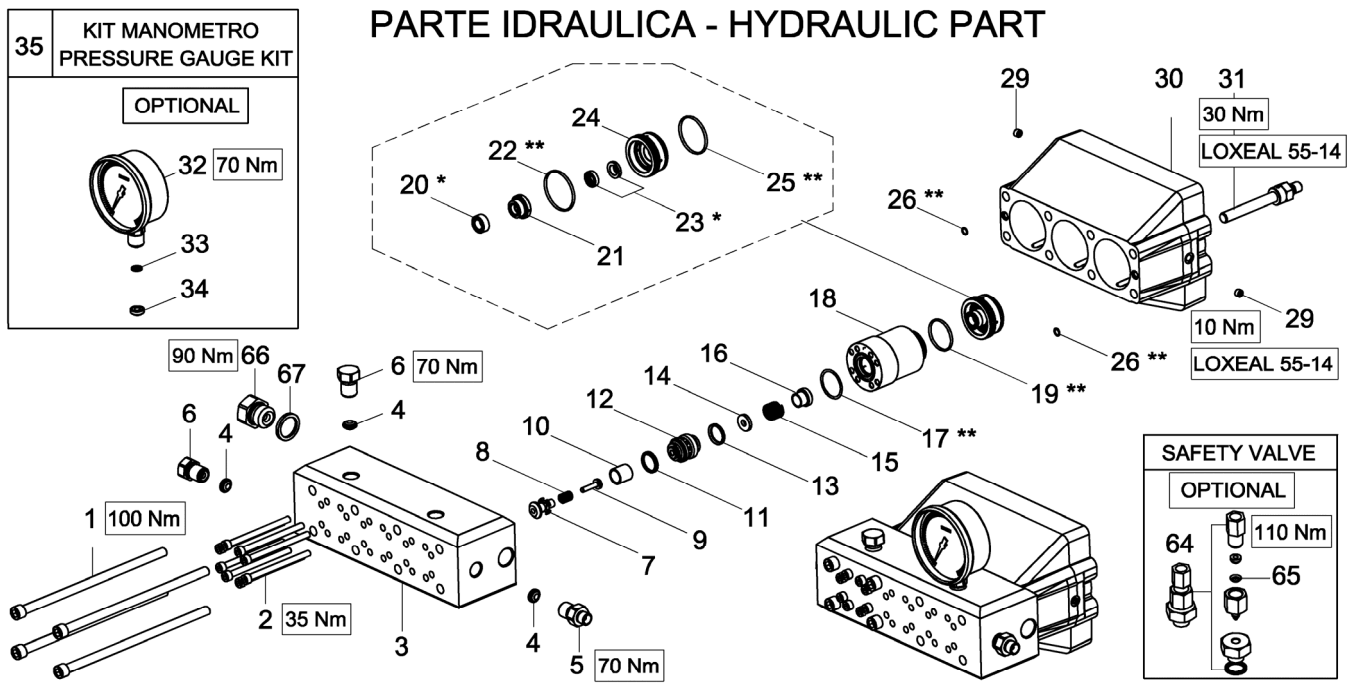
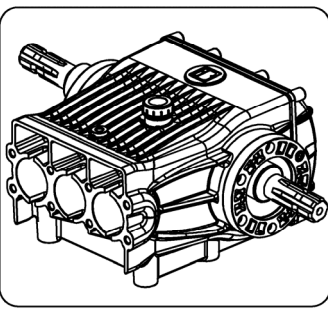
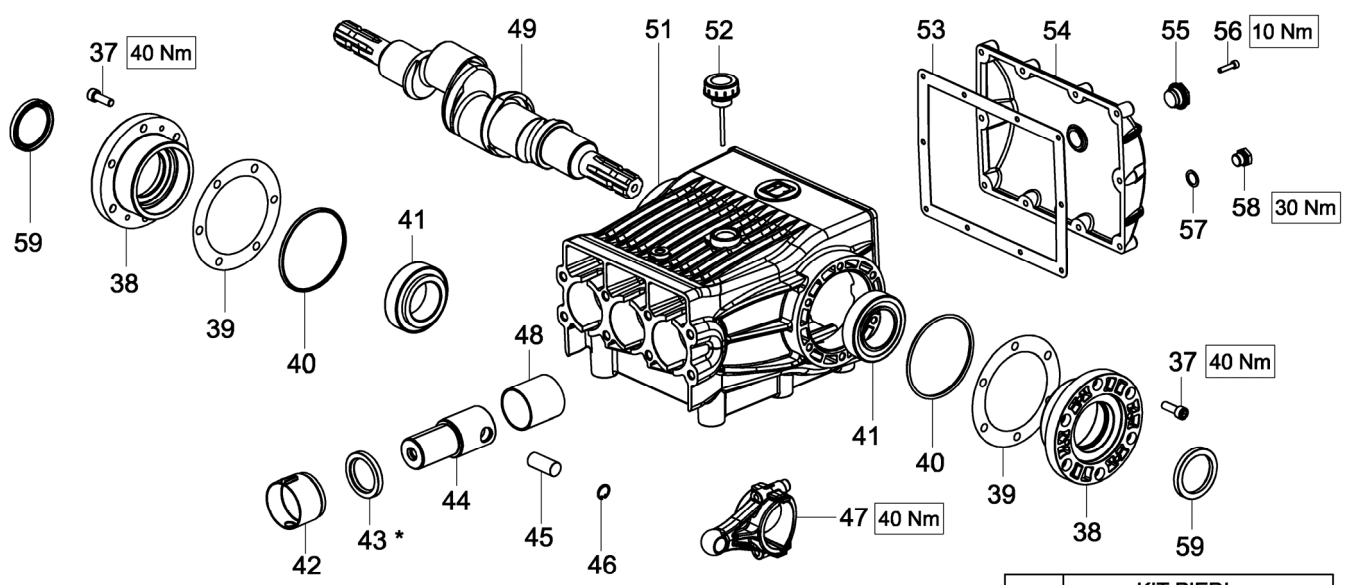


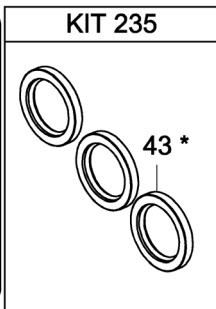
PARTE IDRAULICA - HYDRAULIC PART



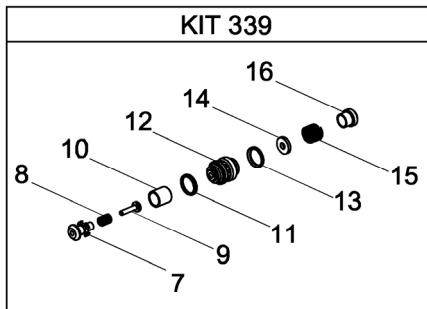
PARTE MECCANICA - MECHANICAL PART



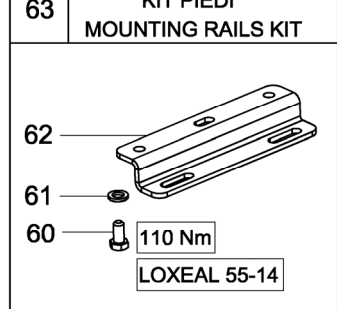
KIT 340



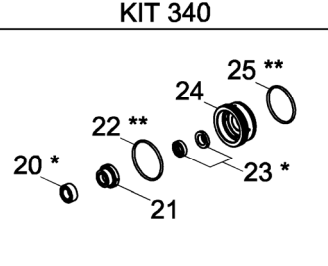
KIT 235



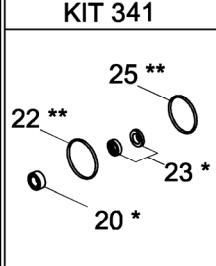
KIT 339



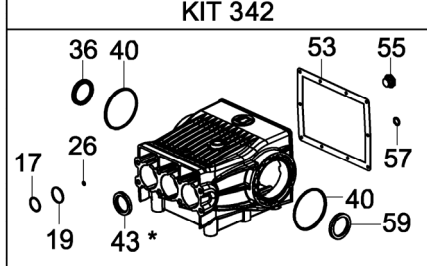
63 KIT PIEDI MOUNTING RAILS KIT



KIT 340



KIT 341



KIT 342

NOTE / NOTES

(*) INGRASSARE CON GRASSO SPECIFICO PER GUARNIZIONI TIPO BERULUB FG-H2 SL / GREASE WITH SPECIFIC GREASE FOR SEALS SUCH AS BERULUB FG-H2 SL

(*) INGRASSARE CON GRASSO AL SILICONE / GREASE WITH SILICONE GREASE

POS.	CODICE PART NO. REF.	DENOMINAZIONE - DESCRIPTION - DESCRIPTION	Q.TY	POS.	CODICE PART NO. REF.	DENOMINAZIONE - DESCRIPTION - DESCRIPTION	Q.TY
1	864139502	BOLT M12X260 UNI 5931 12.9	8	42	740088322	OIL SEAL SPACER	3
2	863080102	BOLT M8X110 UNI 5931 12.9	24	43-KIT 235-307	802194002	OIL SEAL DIA.45X65X8	3
3	740156542	PUMP HEAD	1	44	740125512	PLUNGER ROD	3
4	835101002	HIGH PRESSURE CONIC PAD	4	45	740008492	PLUNGER ROD PIN	3
5	835051602	NIPPLE G.1/2" HP-G.3/8" 60° (before 03/17)	2	46	800009002	SNAP RING DIA.20	6
5	835051702	NIPPLE G.1/2" HP-G.1/4" 24° (from 03/17)	2	47	740086112	CONNECTING ROD	3
6	858629802	PLUG G.1/2" HP	2	48	804466002	BUSHING DIA.50X55X60	3
7-KIT 304	740157522	VALVE GUIDE	3	49	740025262	SPLINED CRANKSHAFT 1" 3/8	1
8-KIT 304	740172512	VALVE SPRING-OUTLET SIDE	3	51	740001082	PUMP CRANKCASE	1
9-KIT 304	740170512	VALVE POPPET-OUTLET SIDE	3	52	853539002	OIL FILLER PLUG WITH VENT	1
10-KIT 304	740158522	VALVE SPACER	3	53-KIT 307	740049722	BACK COVER SEAL	1
11-KIT 304	740160322	VALVE FRONT SEAL	3	54	740002082	BACK COVER	1
12-KIT 304	740159512	VALVE SEAT	3	55-KIT 307	853515502	OIL SIGHT GLASS	1
13-KIT 304	740160322	VALVE FRONT SEAL	3	56	862261002	BOLT M6X30 UNI 5931	1
14-KIT 304	740162512	VALVE POPPET-INLET SIDE	3	57-KIT 307	824107002	PLUG SEAL	1
15-KIT 304	740171512	VALVE SPRING-INLET SIDE	3	58	852579002	PLUG G.3/8"	1
16-KIT 304	740163512	SPRING GUIDE	3	59-KIT 307	802251002	OIL SEAL DIA.55X72X8	2
17-KIT 307	803208302	O-RING DIA.2,62X36,14	3	60	864140002	BOLT M14X30 UNI 5737	6
18	740161512	SLEEVE	3	61	844006002	WASHER DIA.16X27X1,5	6
19-KIT 307	803209102	O-RING DIA.2,62X40,95	3	62	740030612	MOUNTING RAIL	2
20-KIT 305-306	802019502	HIGH PRESSURE SEAL DIA.14X24X9,3	3	63	749802973	MOUNTING RAIL KIT	1
21-KIT 305	740166522	FRONT GLAND DIA.14	3	64	861690973	SAFETY VALVE (OPTIONAL)	1
22-KIT 305-306	803209902	O-RING DIA.2,62X53,65	3	65	861690202	ROPTURE DISC 1137-1242 BAR (OPTIONAL)	1
23-KIT 305-306	802019302	LOW PRESSURE "U" PACKING DIA.14x22x7	3	66	852695502	PLUG G.3/4" SS	1
24-KIT 305	740167522	REAR GLAND DIA.14	3	67	824180002	GASKET DIA.27X36X1	1
25-KIT 305-306	803209702	O-RING DIA.2,62X48,89	3				
26-KIT 307	803056002	O-RING DIA.1,78X8,73	2				
29	852520102	PLUG 1/8" DIN 906 INOX	2				
30	740169072	CRANKCASE SPACER	1				
31	740168012	CERAMIC PISTON DIA.14	3				
32	830100002	PRESSURE GAUGE 0-1600 BAR (OPTIONAL)	1				
33	84366000.2	PRESSURE GAUGE SEAL (OPTIONAL)	1				
34	835102002	PRESSURE GAUGE CONIC PAD (OPTIONAL)	1				
35	745820973	PRESSURE GAUGE KIT (OPTIONAL)	1				
37	863300002	BOLT M10X30 UNI 5931	12				
38	740022082	BEARING SUPPORT	2				
39	740050652	SHIM 0,1mm	1				
39	740051652	SHIM 0,2mm	2				
40-KIT 307	803291102	O-RING DIA.3,53X107,5	2				
41	812860002	CONICAL ROLLER BEARING 33111	2				
				REPAIR KIT			PCS.
				KIT 235	745006973	SPARE PARTS KIT	3
				KIT 339	745015973	SPARE PARTS KIT	30
				KIT 340	745016973	SPARE PARTS KIT	21
				KIT 341	745017973	SPARE PARTS KIT	15
				KIT 342	745018973	SPARE PARTS KIT	15