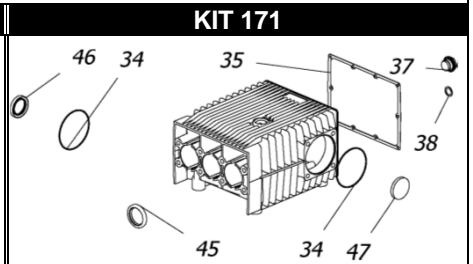
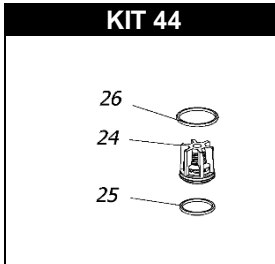
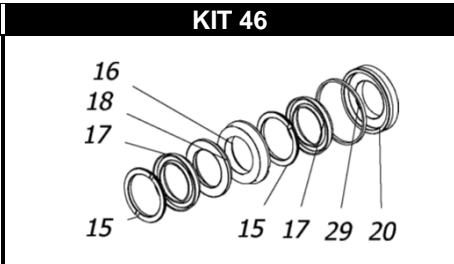
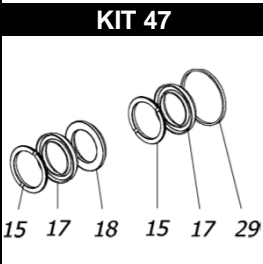
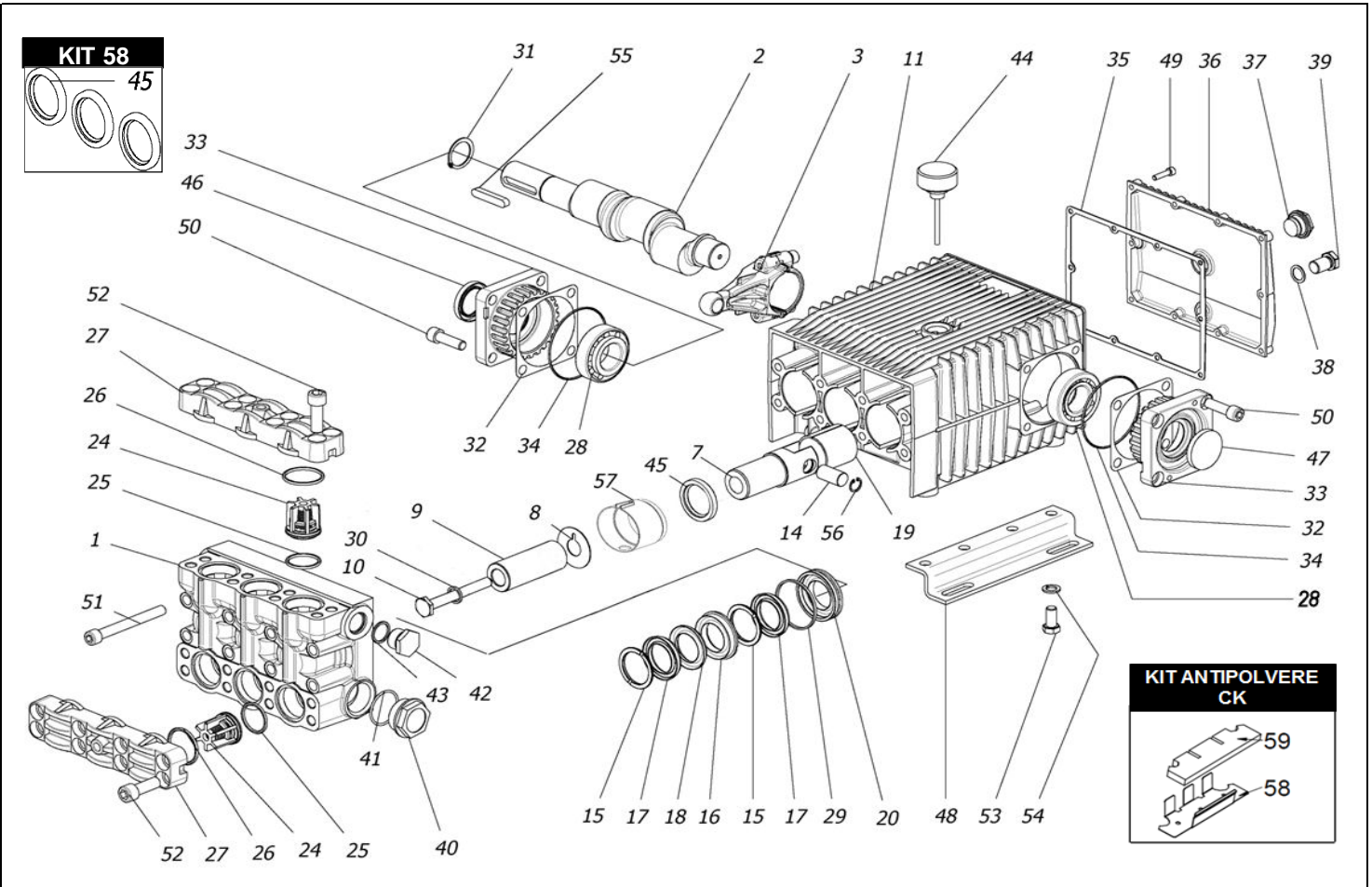


# CKL 2226.1 - 2230.1 - 2233.1



POS.	CODICE PART NO. RÉF.	DENOMINAZIONE - DESCRIPTION - DESCRIPTION	Q.TY
1	730133282	PUMP HEAD	1
2	730362262	CRANKSHAFT (CKL 2226.1)	1
2	730363262	CRANKSHAFT (CKL 2230.1)	1
2	730364262	CRANKSHAFT (CKL 2233.1)	1
3	730417112	CONROD	3
7	730485512	PLUNGER ROD	3
8	844212002	WASHER	3
9	730459182	CERAMIC PISTON 30X79	3
10	864091002	SCREW M12X100 UNI 5737	3
11	730506092	CRANKCASE	1
14	852007402	PISTON PIN	3
15 -Kit 46-47	730309322	THRUST PIN	6
16 -Kit 46	730307532	FRONT GLAND	3
17 -Kit 46-47	802165002	V PACKING DIA. 30-45	6
18 -Kit 46-47	730035322	ANTIEXTRUSION RING	3
19	804470002	BUSHING	3
20 -Kit 46	730446532	BACK GLAND	3
24 -Kit 44	739824973	VALVES ASSY	6
25 -Kit 44	803253002	O-RING	6
26 -Kit 44	803263002	O-RING	6
27	730126282	VALVES COVER	2
28	812940002	BEARING	2
29 -Kit 46-47	803283002	O-RING	3
30	843898002	GASKET	3
31	801264002	SNAP RING	1
32	730413652	SHIM 0.1	1
32	730414652	SHIM 0.2	2
33	730477092	BEARING SUPPORT	2
34 -Kit 171	803210672	O-RING	2
35 -Kit 171	730065722	GASKET	1

POS.	CODICE PART NO. RÉF.	DENOMINAZIONE - DESCRIPTION - DESCRIPTION	Q.TY
36	730475092	BACK COVER	1
37 -Kit 171	853515502	OIL SIGHT GLASS	1
38 -Kit 171	824107002	GASKET	1
39	852579002	PLUG G 3/8	1
40	852740532	PLUG G1*1/4	1
41	803209002	O-RING	1
42	852693532	PLUG G3/4	1
43	803218002	O-RING	1
44	853516002	OIL FILLER PLUG	1
45 -Kit 58-171	802180002	OIL SEAL	3
46 -Kit 171	802143002	OIL SEAL	1
47 -Kit 171	802099602	CAP	1
48	730024612	MOUNTING RAIL	2
49	862216002	BOLT	10
50	863696002	BOLT	8
51	864120002	BOLT	8
52	864200002	BOLT	16
53	863703002	BOLT	6
54	843844002	WASHER	6
55	806585002	TAB	1
56	800040002	SNAP RING D. 18	6
57	730528322	OIL SEAL SPACER	3
58 - DUST KIT CK	730531612	DUST SHEET	1
59 - DUST KIT CK	730531722	DUST FILTER	1
REPAIR KIT		ITEM NO,s INCLUDED	PCS.
KIT 44	739835973	SPARE PARTS KIT	18
KIT 46	739836973	SPARE PARTS KIT	24
KIT 47	739837973	SPARE PARTS KIT	18
KIT 58	739842973	SPARE PARTS KIT	3
DUST KIT CK	730531973	SPARE PARTS KIT	2
KIT 171	739872973	SPARE PARTS KIT	10
HOT WATER CONVERSION KIT (85°C-185°F)			
kit 203	739874973	H.W. PACKING SEALING KIT	24
kit 251	739916973	H.W. VALVE KIT	18