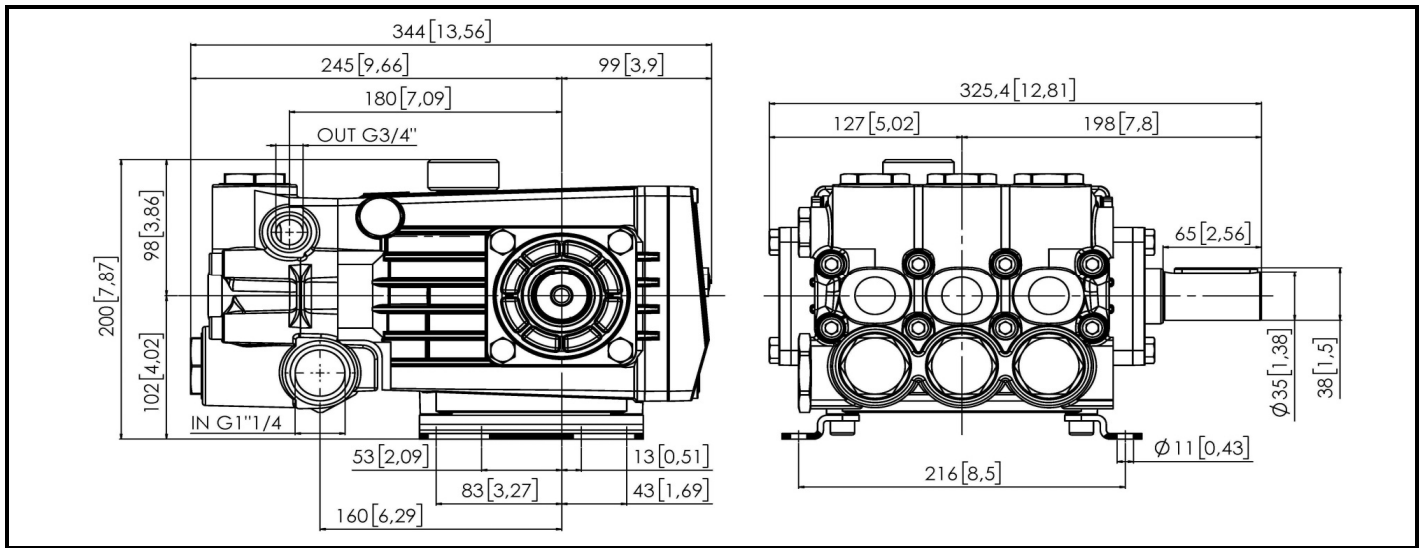
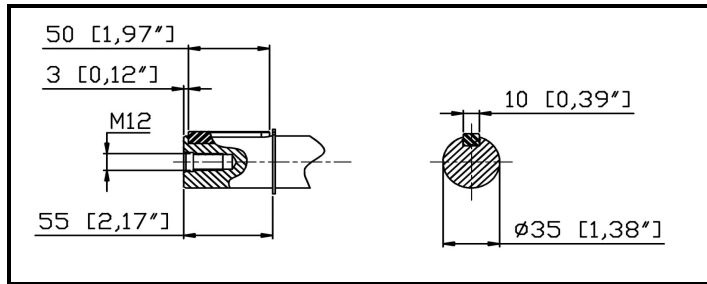




DIMENSIONI D'INGOMBRO - OVERALL DIMENSIONS



ALBERO POMPA - PUMP SHAFT



COPPIA DI SERRAGGIO - TORQUE CHART

CODICE - CODE	Q.TY	POS	N.m	Lbr.ft
86.2216.00.2	9	4	10	7,4
86.2730.00.2	6	23	22 (LOXEAL 54-03)	16,2 (LOXEAL 54-03)
86.3616.00.2	6	46	100	77
53.0015.53.2	3	30	35 (LOXEAL 54-03)	25,8 (LOXEAL 54-03)
86.3206.00.2	8	12	40	29,6
86.3212.00.2	4	20	40	29,6
85.3505.00.2	1	5	5	3,7
85.2543.50.2	1	6	30	22,1
85.2629.00.2	2	17	40	29,6
85.2693.53.2	1	47	40	29,6
85.2740.53.2	1	48	40	29,6
85.2740.53.2	1	50	8	5,9

Tolleranza di serraggio: 0/-10%
Tolerance on torque value:

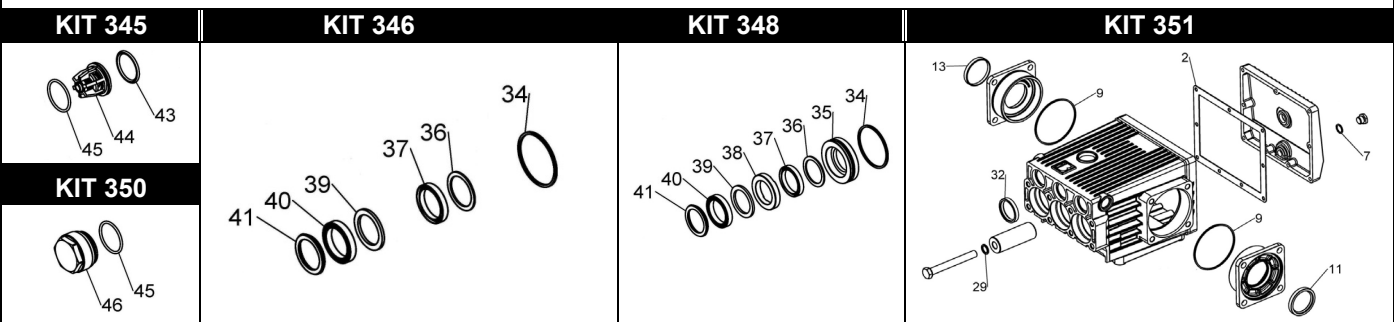
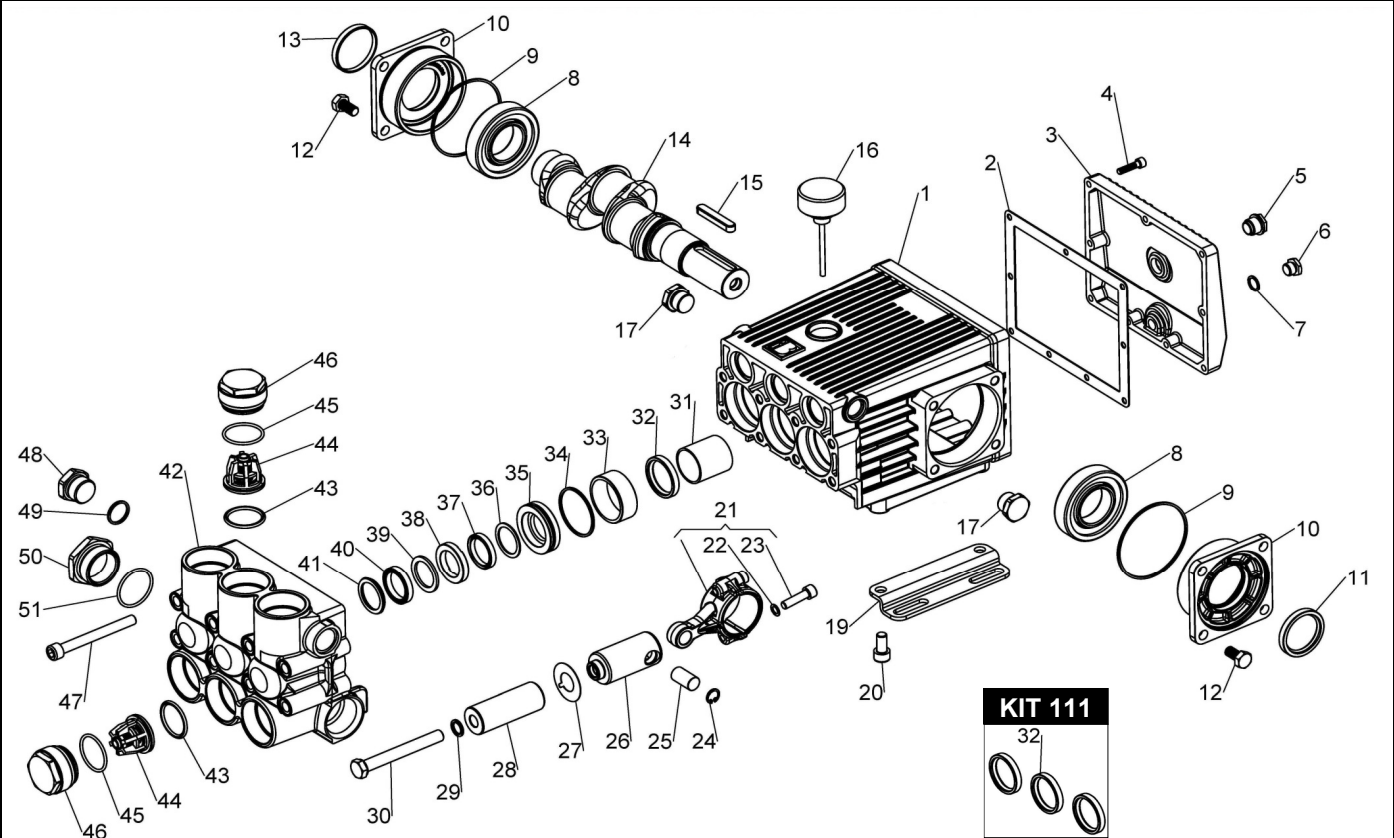


**INFORMAZIONI UTILI
USEFUL INFORMATION**

LUBRIFICANTE - LUBRICANT:

OLIO MOTORE O SEMIDRAULICO SAE 30
MOTOR OIL OR SEMI-HYDRAULIC OIL SAE 30

CR 8010 - 1010



POS.	CODICE PART NO. RÉF.	DENOMINAZIONE - DESCRIPTION - DESCRIPTION	Q.TY	POS.	CODICE PART NO. RÉF.	DENOMINAZIONE - DESCRIPTION - DESCRIPTION	Q.TY
1	530201092	CRANKCASE	1	33	530032482	SPACER GLAND	3
2	530012722	COVER GASKET	1	34	803209602	O-RING D.2.62X47,30	3
3	530216092	CRANKCASE COVER	1	35	530206532	REAR GLAND	3
4	862216002	BOLT M6x25 UNI5931	9	36	080293542	ANTI-EXTRUSION RING	3
5	853505002	OIL SIGHT GLASS	1	37	802164702	U PRESSURE SEAL REAR	3
6	852543502	PLUG G.1/4	1	38	080291532	LANTERNA ANTERIORE	3
7	824081002	GASKET	1	39	080283322	ANTI-EXTRUSION RING	3
8	812919002	ROLLER BEARING	2	40	802164002	U PRESSURE SEAL FRONT	3
9	803210762	O-RING 3,53x82,14	2	41	080284322	THRUST RING	3
10	530208092	BEARING COVER	2	42	530202282	PUMP HEAD	1
11	802178002	OIL SEAL 40x52x7	1	43	803251002	O-RING 3.53X32.93	6
12	863206002	BOLT M10x20	8	44	739801973	VALVES ASSY	6
13	802099602	CAP 52x7	1	45	803208302	O-RING D.2.62X36,14	6
14	530211262	CRANKSHAFT (VERSIONE C8010)	1	46	530209452	VALVE CAP	6
14	530210262	CRANKSHAFT (VERSIONE C1010)	1	47	863616002	BOLT M10X95 UNI5931 ZINCATA	8
15	806585002	TAB 10x8x55	1	48	852693532	PLUG G.3/4" OTTONE	1
16	853516002	OIL FILLER PLUG	1	49	803218002	O-RING 3.0X22	1
17	852629002	PLUG G.1/2	2	50	852740532	PLUG G.1"1/4 OTTONE	1
19	530010612	MOUNTING RAIL	2	51	803209002	O-RING 2.62X39,34	1
20	863212002	BOLT M10x20	4				
21	530204112	CONROD	3				
22	843652002	WASHER	6				
23	862730002	VITE M8x30	6				
24	801100002	CIRCLIP DIA.15	9				
25	530207492	PISTON PIN DIA.15	6				
26	530205512	PLUNGER ROD	3				
27	530213682	WASHER	3				
28	730459182	CERAMIC PISTON	3				
29	843898002	COPPER WASHER	3				
30	864091002	BOLT M12X100 S.STEEL	3				
31	804460002	BUSHING	3				
32	802133002	OIL SEAL	3				
				KIT	ITEM NO.s INC.		PCS.
				KIT 111	539817973	SPARE PARTS KIT	3
				KIT 345	539830973	SPARE PARTS KIT	18
				KIT 346	539831973	SPARE PARTS KIT	18
				KIT 348	539833973	SPARE PARTS KIT	24
				KIT 350	539835973	SPARE PARTS KIT	12
				KIT 352	539836973	SPARE PARTS KIT	9