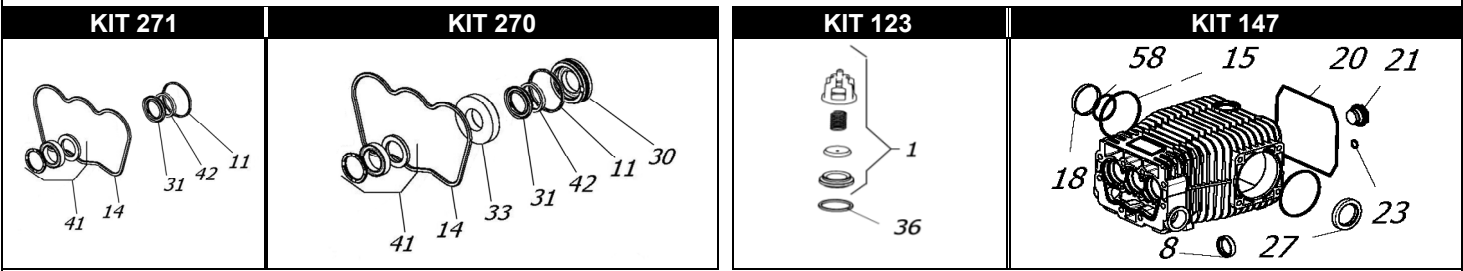
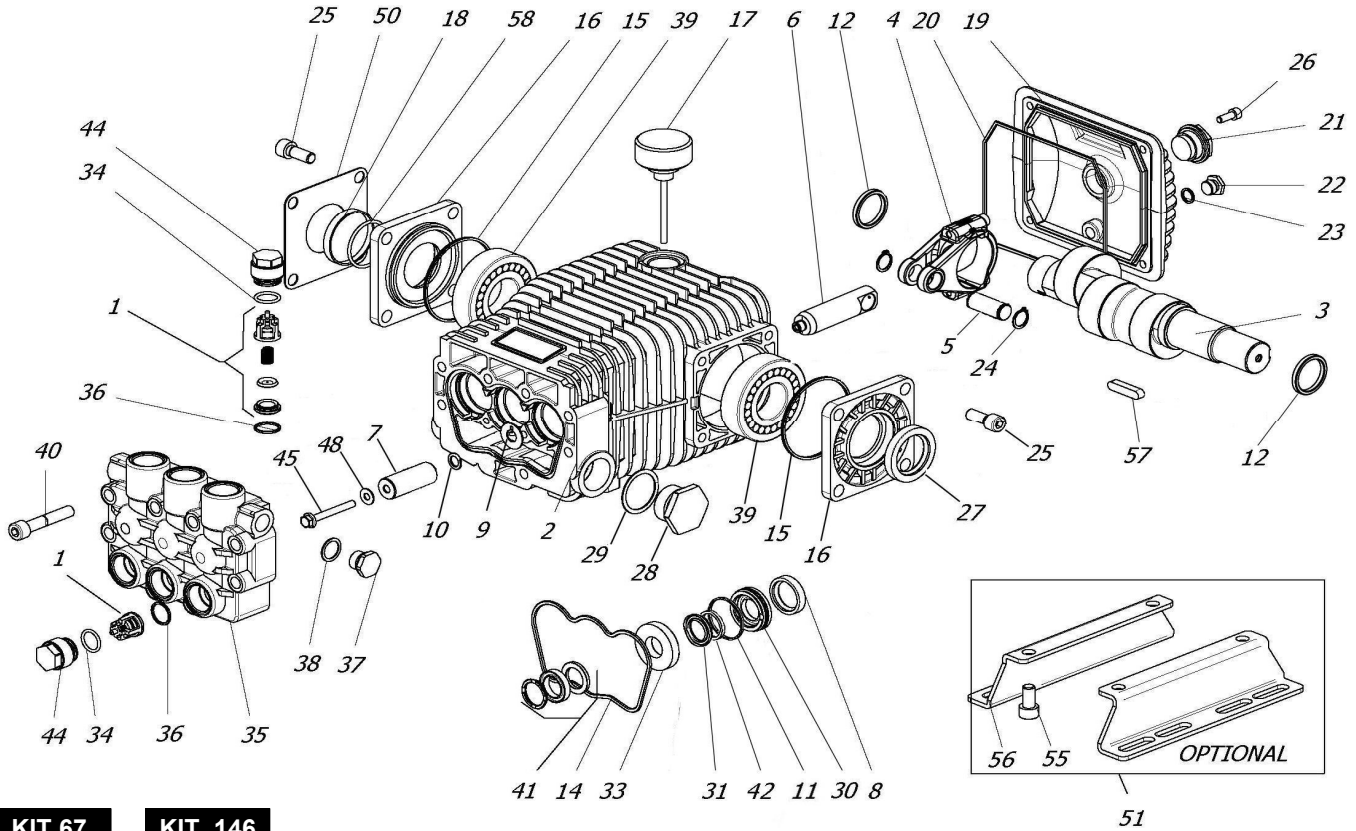


# RAL 2035 - 2335 - 2535 PREMIUM



POS.	CODICE PART NO. RÉF.	DENOMINAZIONE - DESCRIPTION - DESCRIPTION	Q.TY	POS.	CODICE PART NO. RÉF.	DENOMINAZIONE - DESCRIPTION - DESCRIPTION	Q.TY
1-kit 123	069846973	VALVES ASSEMBLY	6	33-kit 270	080114532	FRONT GLAND D20	3
2	080001092	PUMP CRANKCASE	1	34-kit 67	803182802	O-RING	6
3	080241262	CRANKSHAFT RAL 2535	1	35	080008282	PUMP HEAD	1
3	080245262	CRANKSHAFT RAL 2335	1	36-kit 123	803182802	O-RING	6
3	080246262	CRANKSHAFT RAL 2035	1	37	852579002	PLUG G3/8	1
4	080289112	CONNECTING ROD	3	37	852579532	PLUG G3/8 BRASS (OPTIONAL)	1
5	080243492	PISTON PIN	3	38	824109002	GASKET	1
6	080270512	PLUNGER ROD	3	39	812870002	BEARING	2
7	080070182	CERAMIC PISTON D.20	3	40	863510002	BOLT	8
8-kit 146-147	802092002	OIL SEAL D25	3	41-kit 270-271	802066302	"SUPER "U" PACKING ASSEMBLY	3
9	843827002	WASHER	3	42-kit 270-271	802301202	SCRAPER RING	3
10	080274532	PISTON SPACER	3	44-kit 67	070040282	EX. DEEP SEALING VALVE CAP M27x1,5	6
11-kit 270-271	803080102	O-RING	3	45	862415602	BOLT	3
12	080271412	BEARING SPACER	2	48	843620052	WASHER	3
14-kit 270-271	080021312	PARTICULAR PROFILE GASKET	1	50	060123612	SHEET	1
15-kit 147	803210642	O-RING	2	51	089829973	MOUNTING RAILS KIT (OPTIONAL)	1
16	060017092	BEARING COVER	2	55	863212002	BOLT (OPTIONAL)	4
17	060020322	OIL FILLER PLUG WITH DIP STICK	1	56	080053612	MOUNTING RAIL (OPTIONAL)	2
18-kit 147	060019322	OIL SIGHT GLASS (FROM 06/2020)	1	57	806534002	TAB 8X7X35	1
18	060059322	OIL SIGHT GLASS (BEFORE 06/2020)	1	58-kit 147	803262002	O-RING (FROM 06/2020)	1
19	080006092	CRANKCASE COVER	1	58-kit 147	803265002	O-RING (BEFORE 06/2020)	1
20-kit 147	803210882	O-RING	1				
21-kit 147	853515502	OIL SIGHT GLASS + O-RING	1				
22	852543502	PLUG G1/4X9	1				
23-kit 147	803057002	O-RING	1				
24	801140002	CIRCLIP	6	<b>REPAIR KIT</b>		<b>ITEM NO.s INCLUDED</b>	<b>PCS.</b>
25	863265002	BOLT	8	kit 67	049839973	SPARE PARTS KIT	12
26	862108002	BOLT	4	kit 146	089816973	SPARE PARTS KIT	3
27-kit 147	802143002	OIL SEAL	1	kit 147	089817973	SPARE PARTS KIT	11
28	852712002	PLUG G1	1	kit 123	069867973	SPARE PARTS KIT	12
28	852712532	PLUG G1 BRASS (OPTIONAL)	1	kit 271	089855973	SPARE PARTS KIT	19
29	824230002	GASKET	1	kit 270	089854973	SPARE PARTS KIT	25
30-kit 270	080118532	BACK GLAND D20	3	<b>HOT WATER CONVERSION KIT (85°C-185°F)</b>			
31-kit 270-271	802301102	"U" PACKING 20X28	3	kit 219	089844973	H.W. PACKING SEALING KIT	21
				kit 249	069956973	H.W. VALVE KIT	18