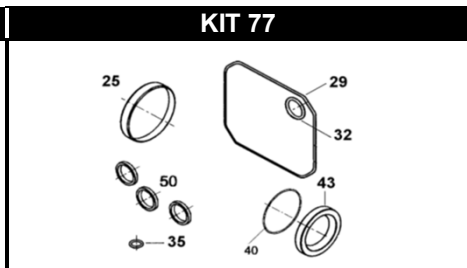
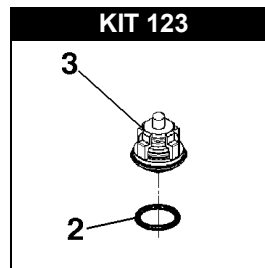
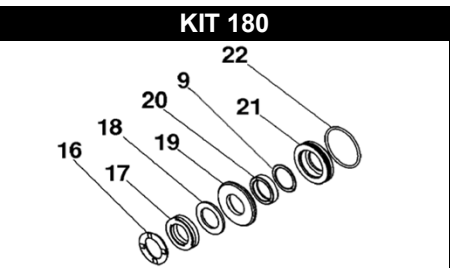
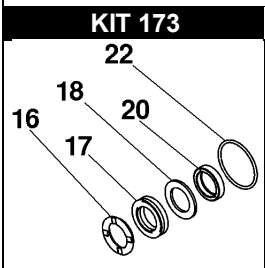
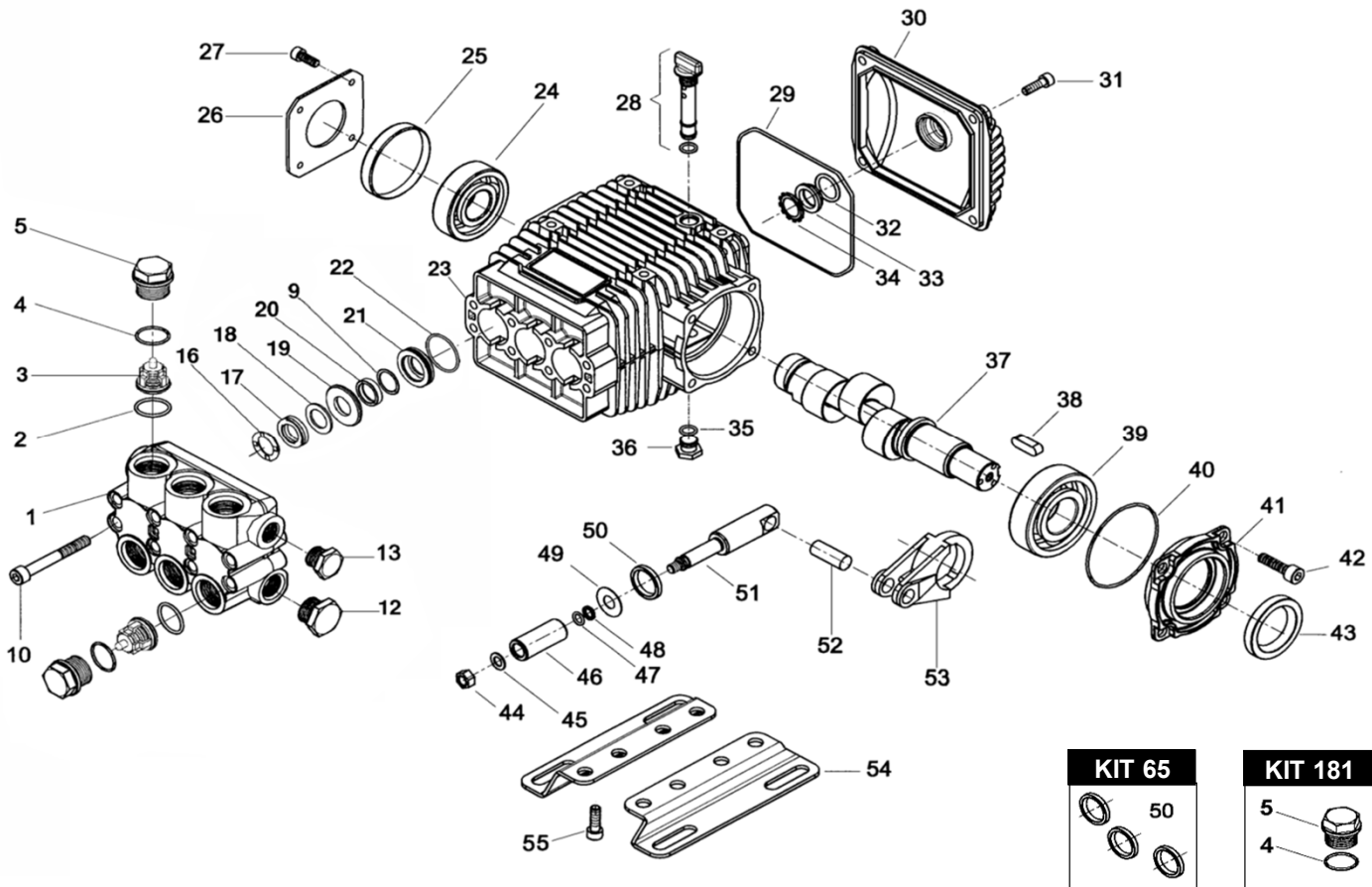


TAM 1215-1315-1515-1715-2015



| POS. | CODICE PART NO. RÉF. | DENOMINAZIONE - DESCRIPTION - DESCRIPTION | Q.TY |
|----------------|----------------------|---|------|
| 1 | 070078512 | PUMP HEAD | 1 |
| 2-kit 123 | 803182802 | O-RING DIA.2,62X17,13 | 6 |
| 3-kit 123 | 069846973 | CHECK VALVES | 6 |
| 4-kit 181 | 803182802 | O-RING DIA.2,62X17,13 | 6 |
| 5-kit 181 | 070081512 | VALVE CAP M27x1,5 | 6 |
| 9 | 803073002 | O-RING DIA. 1,78x23,52 | 3 |
| 10 | 862985502 | SCREW TCEI M8X70 UNI 5931 | 8 |
| 12 | 852629202 | PLUG G 1/2" INOX | 1 |
| 13 | 852579512 | PLUG G 3/8" INOX | 1 |
| 16-kit 173-180 | 802058102 | SEAL PACKER | 3 |
| 17-kit 173-180 | 802058002 | PACKING | 3 |
| 18-kit 173-180 | 070199322 | EXTERNAL CHECK RING | 3 |
| 19-kit 180 | 070079512 | FRONT BRASS GLAND | 3 |
| 20-kit 173-180 | 802058502 | PACKING | 3 |
| 21-kit 180 | 070134512 | BACK BRASS GLAND | 3 |
| 22-kit 173-180 | 803080002 | O-RING | 3 |
| 23 | 070001092 | CRANKCASE | 1 |
| 24 | 812730102 | ROLLER BEARING | 1 |
| 25-kit 77 | 802102002 | COVER 62X07 RCA | 1 |
| 26 | 050045612 | CRANKCASE COVER | 1 |
| 27 | 862108502 | SCREW M6X16 UNI 5931 | 4 |
| 28 | 049832973 | FILLER PLUG | 1 |
| 29-kit 77 | 803210682 | O-RING D.2,62X120,32 | 1 |
| 30 | 040117092 | REAR COVER | 1 |
| 31 | 862168502 | GALVANISED SCREW M6X22 UNI 5931 | 4 |
| 32-kit 77 | 803189002 | O-RING DIA.2,62X18,72 | 1 |
| 33 | 040120322 | OIL SIGHT GLASS | 1 |
| 34 | 801184002 | RING | 1 |
| 35-kit 77 | 803057002 | O-RING 2037 - 39,34 X 2,62 | 1 |

| POS. | CODICE PART NO. RÉF. | DENOMINAZIONE - DESCRIPTION - DESCRIPTION | PCS. |
|--------------|----------------------|---|------|
| 36 | 852543502 | CAP G.1/4 | 1 |
| 37/1 | 070033262 | CRANKSHAFT TAM 1215 | 1 |
| 37/2 | 070034262 | CRANKSHAFT TAM 1315 | 1 |
| 37/3 | 070035262 | CRANKSHAFT TAM 1515 | 1 |
| 37/4 | 070037262 | CRANKSHAFT TAM 1715 | 1 |
| 37/5 | 070038262 | CRANKSHAFT TAM 2015 | 1 |
| 38 | 806534002 | TAB 8X7X35 | 1 |
| 39 | 812776202 | ROLLER BEARING | 1 |
| 40-kit 77 | 803080702 | O-RING D.1,78X69,57 | 1 |
| 41 | 070003092 | SUPPORT | 1 |
| 42 | 862547502 | SCREW M8X18 | 4 |
| 43-kit 77 | 802119002 | OIL SEAL 30X52X7 | 1 |
| 44 | 070129512 | STAINLESS STEEL NUT M8 (BEFORE 10-23) | 3 |
| 44 | 070129512A | STAINLESS STEEL NUT M8 (FROM 11-23) | 3 |
| 45 | 843685402 | WASHER DIA.8,1X14X1 | 3 |
| 46 | 070008182 | CERAMIC PISTON DN18 | 3 |
| 47 | 803055002 | O-RING DIA.1,78X7,76 | 3 |
| 48 | 803912002 | BACKUP RING 2031 DIA.10,8 | 3 |
| 49 | 843826002 | WASHER D.11,3X25X0,5 COPPER | 3 |
| 50-kit 65-77 | 802063502 | AXIAL RING | 3 |
| 51 | 070010512 | PLUNGER ROD (BEFORE 10-23) | 3 |
| 51 | 070010512A | PLUNGER ROD (FROM 11-23) | 3 |
| 52 | 852006282 | PISTON PIN | 3 |
| 53 | 070006092 | CONROD | 3 |
| 54-optional | 040247612 | MOUNTING RAIL | 2 |
| 55-optional | 862495002 | SCREW M8x16 | 4 |
| 56-optional | 079802973 | MOUNTING RAIL KIT | 1 |
| REPAIR KIT | | ITEM NO,s INCLUDED | PCS. |
| kit 65 | 049837973 | SPARE PARTS KIT | 3 |
| kit 77 | 079808973 | SPARE PARTS KIT | 9 |
| kit123 | 069867973 | SPARE PARTS KIT | 12 |
| kit 173 | 079838973 | SPARE PARTS KIT | 15 |
| kit 180 | 079845973 | SPARE PARTS KIT | 21 |
| kit 181 | 079846973 | SPARE PARTS KIT | 12 |