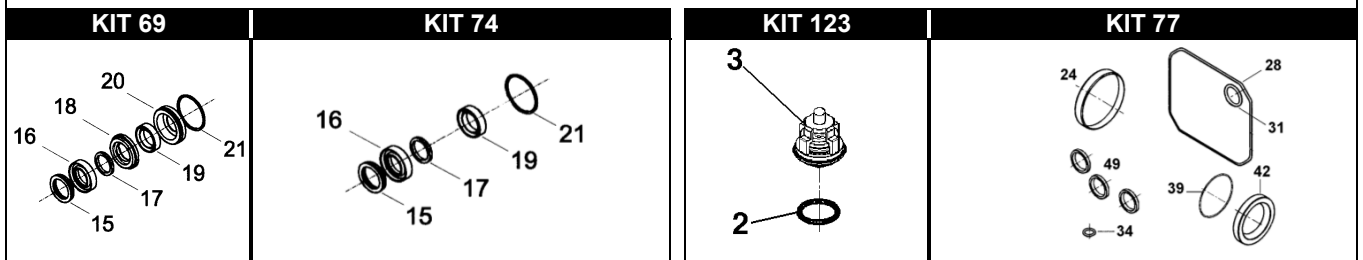
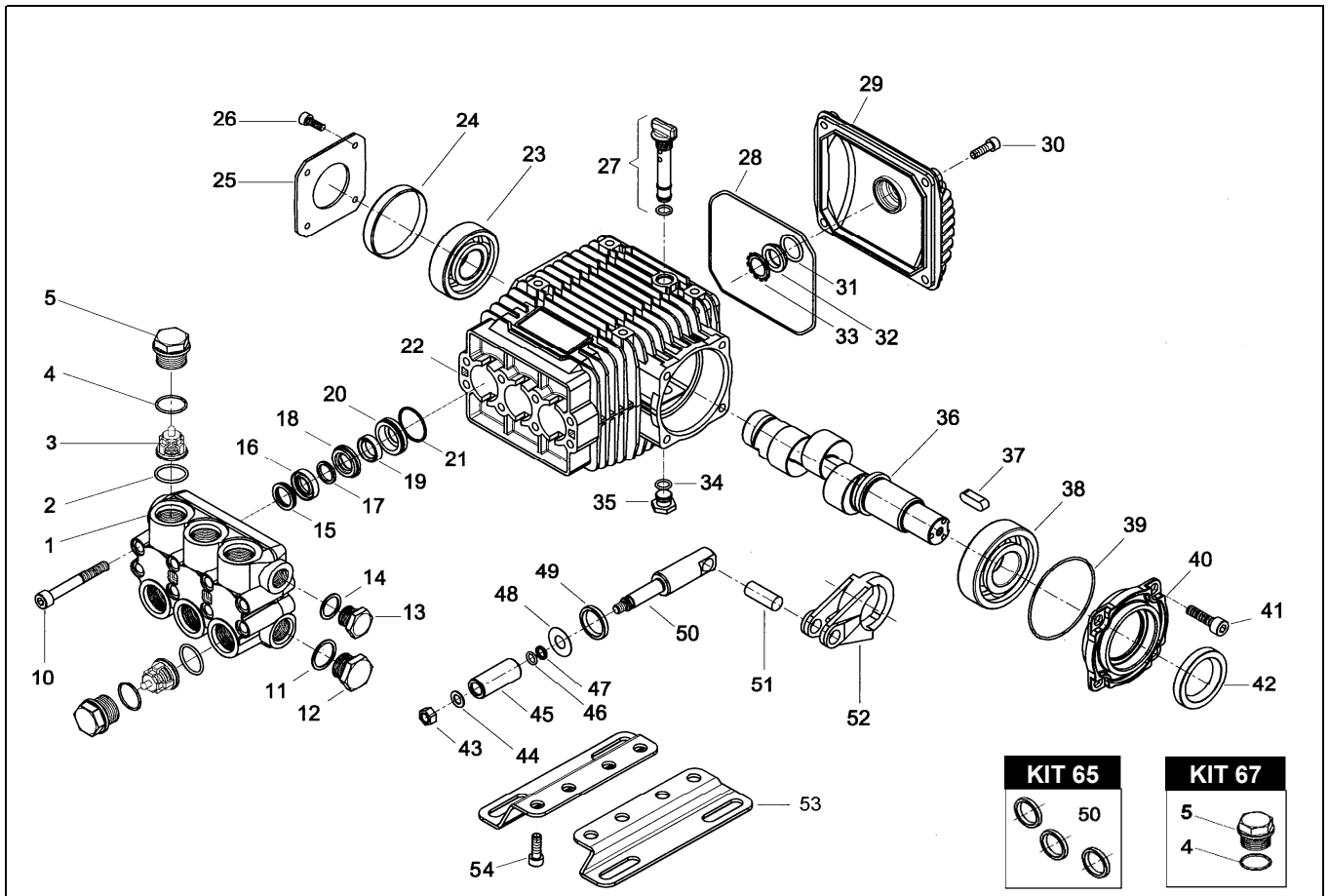


TML-F 1528 - 1728 - 2020-2028



POS.	CODICE PART NO. RÉF.	DENOMINAZIONE - DESCRIPTION - DESCRIPTION	Q.TY	POS.	CODICE PART NO. RÉF.	DENOMINAZIONE - DESCRIPTION - DESCRIPTION	PCS.
1	070070282	PUMP HEAD before 08/07	1	34-kit 77	803057002	O-RING 2037 - 39,34 X 2,62	1
1	070179282	PUMP HEAD from 09/07	1	35	852543502	CAP G. 1/4 X9 (EX 852542002) (EX 852542002)	1
2-kit 123	803182802	O-RING DIA.2,62X17,13	6	36/2	070033262	CRANKSHAFT TML 1520 - F	1
3-KIT 123	069846973	CHECK VALVES	6	36/4	070034262	CRANKSHAFT TML 1720 - F	1
4-kit 67	803182802	O-RING DIA.2,62X17,13	6	36/7	070036262	CRANKSHAFT TML 2020-2028 - F	1
5	070040532	EX. DEEP SEALING VALVE CAP M27x1,5 (before 10/2020)	6	37	806534002	TAB 8X7X35	1
5-kit 67	070040282	EX. DEEP SEALING VALVE CAP M27x1,5 (from 10/2020)	6	38	812776202	ROLLER BEARING	1
10	862985002	SCREW TCEI M8X70 UNI 5931 before 08/07	8	39-kit 77	803080702	O-RING D.1,78X69,57	1
10	862951002	SCREW TCEI M8X65 UNI 5931 from 09/07	8	40	070003092	SUPPORT	1
11	824140002	GASKET FOR COUPLING 21,2X26X1	1	41	862547002	SCREW M8X18	4
12	852629002	PLUG G 1/2"	1	42-kit 77	802119002	OIL SEAL 30X52X7	1
12	852629532	PLUG G 1/2" BRASS (OPTIONAL)	1	43	814561002	STAINLESS STEEL NUT M8 UNI 5589	3
13	852579002	PLUG G 3/8	1	44	843642902	WASHER DIA.8,1X14X1	3
13	852579532	PLUG G 3/8 BRASS (OPTIONAL)	1	45	070007182	CERAMIC PISTON DN15	3
14	824109002	COPPER GASKET DIA.17X22X1	1	46	803049002	O-RING DIA.1,78X5,28	3
15-kit 69-74	040270322	SEAL PACKER	3	47	803908502	SEAL	3
16-kit 69-74	802020002	PACKING D.15	3	48	843726002	WASHER DIA.9,1X24X1	3
17-kit 69-74	040269322	ANTI-EXTRUSION RING	3	49-kit 65-77	802063502	AXIAL RING	3
18-kit 69	040268532	FRONT GLAND	3	50	070009512	PLUNGER ROD	3
19-kit 69-74	802034002	U PRESSURE SEAL DIA.15X22X5,5	3	51	852006282	PISTON PIN	3
20-kit 69	070016532	REAR GLAND	3	52	070005112	BRONZE CONROD	3
21-kit 69-74	803080002	O-RING	3	53-optional	040247612	MOUNTING RAIL	2
22	070001092	CRANKCASE	1	54-optional	862495002	SCREW M8x16	4
23	812730102	ROLLER BEARING	1	55-optional	079802973	MOUTING RAIL KIT	1
24-kit 77	802102002	COVER 62X07 RCA	1				
25	050045612	CRANKCASE COVER	1				
26	862108002	SCREW M6X16 UNI 5931	4				
27	049832973	FILLER PLUG	1				
28-kit 77	803210682	O-RING D.2,62X120,32	1				
29	040117092	REAR COVER	1				
30	862168002	GALVANISED SCREW M6X22 UNI 5931	4				
31-kit 77	803189002	O-RING DIA.2,62X18,72	1				
32	040120322	OIL SIGHT GLASS	1				
33	801184002	RING	1				
				REPAIR KIT		ITEM NO,s INCLUDED	PCS.
				kit 65	049837973	SPARE PARTS KIT	3
				kit 67	049839973	SPARE PARTS KIT	12
				kit 69	079804973	SPARE PARTS KIT	21
				kit 74	079806973	SPARE PARTS KIT	15
				kit 77	079808973	SPARE PARTS KIT	9
				kit 123	069867973	SPARE PARTS KIT	12