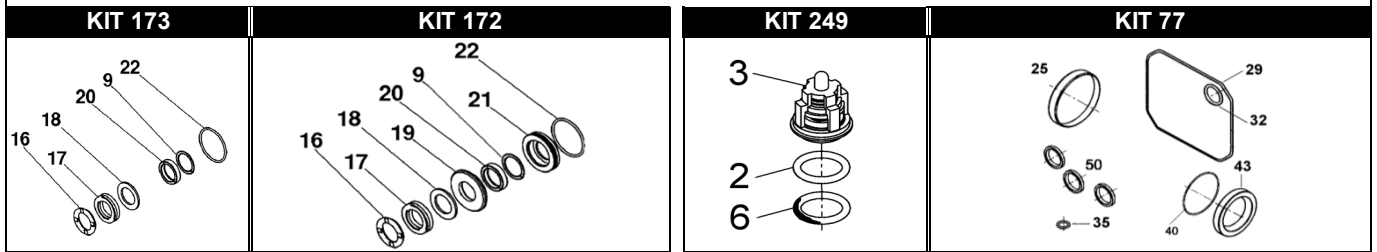
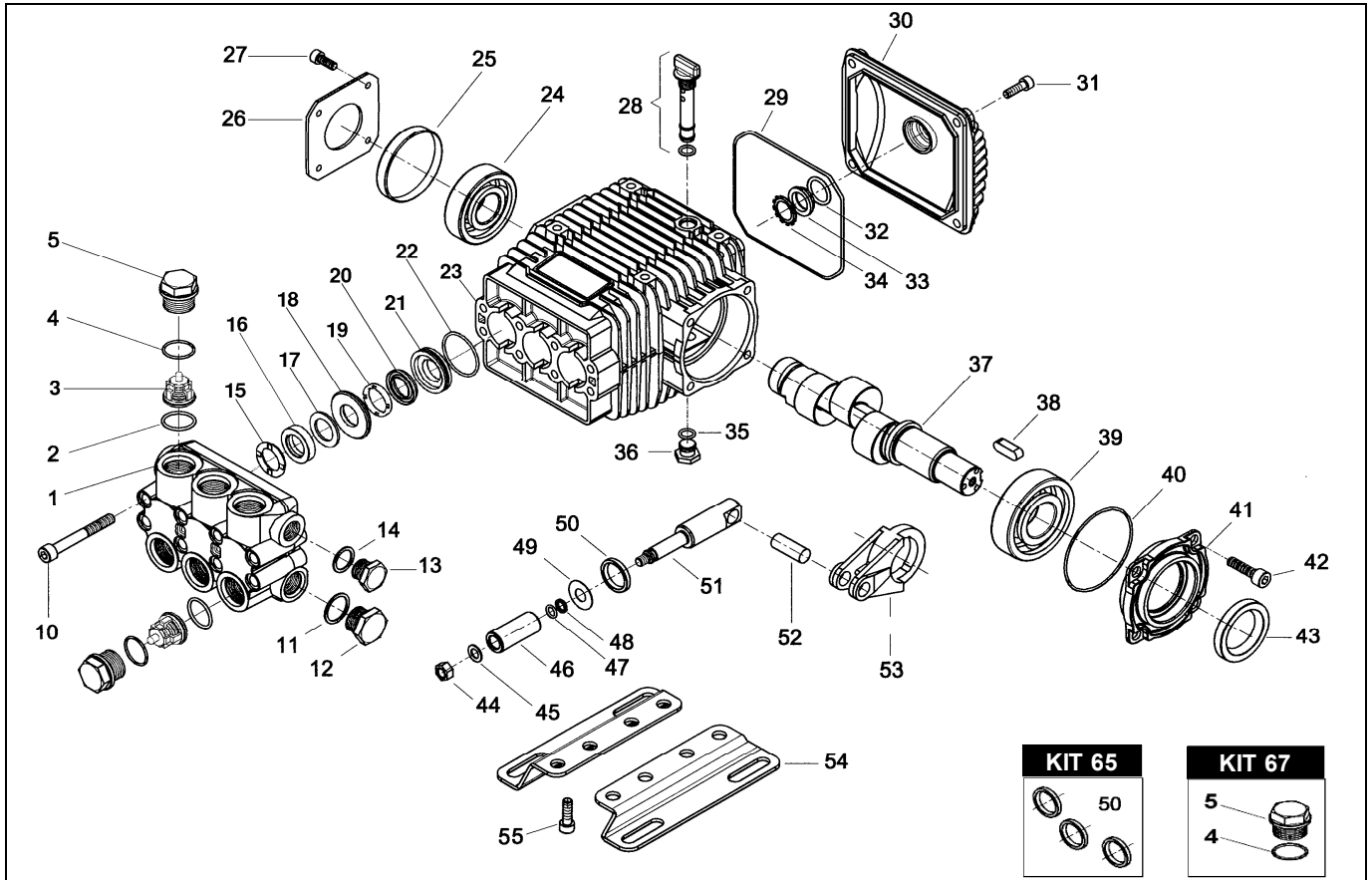


TML - HW 1328 - 1528 - 1728 - 2028



| POS. | CODICE PART NO. REF. | DENOMINAZIONE - DESCRIPTION - DESCRIPTION | Q.TY | POS. | CODICE PART NO. REF. | DENOMINAZIONE - DESCRIPTION - DESCRIPTION | PCS. |
|----------------|----------------------|---|------|--------------|----------------------|---|------|
| 1 | 070136282 | PUMP HEAD | 1 | 33 | 040120322 | OIL SIGHT GLASS | 1 |
| 2-kit 249 | 803095502 | O-RING DIA.2X18 | 6 | 34 | 801184002 | RING | 1 |
| 3-kit 249 | 069959973 | CHECK VALVES | 6 | 35-kit 77 | 803057002 | O-RING 2037 - 39,34 X 2,62 | 1 |
| 4-kit 67 | 803182802 | O-RING DIA.2,62X17,13 | 6 | 36 | 852543502 | CAP G.1/4 X9 (EX 852542002) | 1 |
| 5-kit 67 | 070040282 | EX. DEEP SEALING VALVE CAP M27x1,5 | 6 | 37/2 | 070034262 | CRANKSHAFT TML 1328 HW | 1 |
| 6-kit 249 | 040480542 | ANTIEXTRUSION RING DIA.18,4X22X0,8 | 6 | 37/3 | 070035262 | CRANKSHAFT TML 1528 HW | 1 |
| 9 | 803073002 | O-RING DIA. 1,78x23,52 | 3 | 37/4 | 070037262 | CRANKSHAFT TML 1728 HW | 1 |
| 10 | 862985002 | SCREW TCEI M8X70 UNI 5931 | 8 | 37/5 | 070038262 | CRANKSHAFT TML 2028 HW | 1 |
| 11 | 824140002 | GASKET FOR COUPLING 21,2X26X1 | 1 | 38 | 806534002 | TAB 8X7X35 | 1 |
| 12 | 852629002 | PLUG G 1/2" | 1 | 39 | 812776202 | ROLLER BEARING | 1 |
| 12 | 852629532 | PLUG G 1/2" BRASS (OPTIONAL) | 1 | 40-kit 77 | 803080702 | O-RING D.1,78X69,57 | 1 |
| 13 | 852579002 | PLUG G 3/8 | 1 | 41 | 070003092 | SUPPORT | 1 |
| 13 | 852579532 | PLUG G 3/8 BRASS (OPTIONAL) | 1 | 42 | 862547002 | SCREW M8X18 | 4 |
| 14 | 824109002 | COPPER GASKET DIA.17X22X1 | 1 | 43-kit 77 | 802119002 | OIL SEAL 30X52X7 | 1 |
| 16-kit 172-173 | 802058102 | SEAL PACKER | 3 | 44 | 070129512 | STAINLESS STEEL NUT M8 | 3 |
| 17-kit 172-173 | 802058002 | PACKING U 18x28 | 3 | 45 | 843692002 | WASHER DIA.8,2X17X1 | 3 |
| 18-kit 172-173 | 802061702 | EXTERNAL CHECK RING | 3 | 46 | 070008182 | CERAMIC PISTON DN18 | 3 |
| 19-kit 172 | 070133532 | FRONT BRASS GLAND | 3 | 47 | 803055002 | O-RING DIA.1,78X7,76 | 3 |
| 20-kit 172-173 | 802058502 | PACKING U 18x24 (PTFE) | 3 | 48 | 803912002 | BACKUP RING 2031 DIA.10,8 | 3 |
| 21-kit 172 | 070134532 | BACK BRASS GLAND | 3 | 49 | 843826002 | WASHER D.11,3X25X0,5 COPPER | 3 |
| 22-kit 172-173 | 803080002 | O-RING | 3 | 50-kit 65-77 | 802063502 | AXIAL RING | 3 |
| 23 | 070001092 | CRANKCASE | 1 | 51 | 070010512 | PLUNGER ROD | 3 |
| 24 | 812730102 | ROLLER BEARING | 1 | 52 | 852006282 | PISTON PIN | 3 |
| 25-kit 77 | 802102002 | COVER 62X07 RCA | 1 | 53 | 070005112 | CONROD | 3 |
| 26 | 050045612 | CRANKCASE COVER | 1 | 54-optional | 040247612 | MOUNTING RAIL | 2 |
| 27 | 862108002 | SCREW M6X16 UNI 5931 | 4 | 55-optional | 862495002 | SCREW M8x16 | 4 |
| 28 | 049832973 | FILLER PLUG | 1 | 56-optional | 079802973 | MOUNTING RAIL KIT | 1 |
| 29-kit 77 | 803210682 | O-RING D.2,62X120,32 | 1 | | | | |
| 30 | 040117092 | REAR COVER | 1 | | | | |
| 31 | 862168002 | GALVANISED SCREW M6X22 UNI 5931 | 4 | | | | |
| 32-kit 77 | 803189002 | O-RING DIA.2,62X18,72 | 1 | | | | |
| REPAIR KIT | | ITEM NO.s INCLUDED | PCS. | | | | |
| kit 65 | 049837973 | SPARE PARTS KIT | 3 | | | | |
| kit 67 | 049839973 | SPARE PARTS KIT | 12 | | | | |
| kit 77 | 079808973 | SPARE PARTS KIT | 9 | | | | |
| kit 249 | 069956973 | SPARE PARTS KIT | 18 | | | | |
| kit 172 | 079837973 | SPARE PARTS KIT | 24 | | | | |
| kit 173 | 079838973 | SPARE PARTS KIT | 18 | | | | |