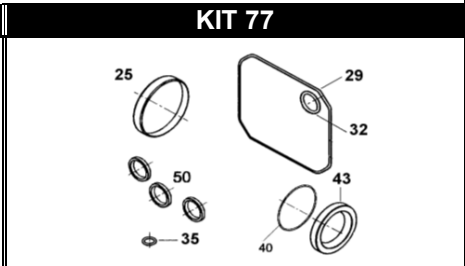
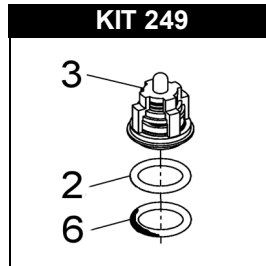
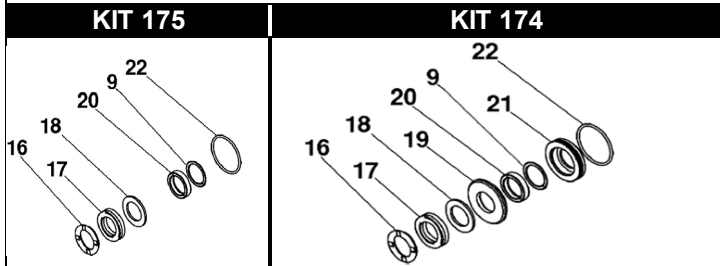
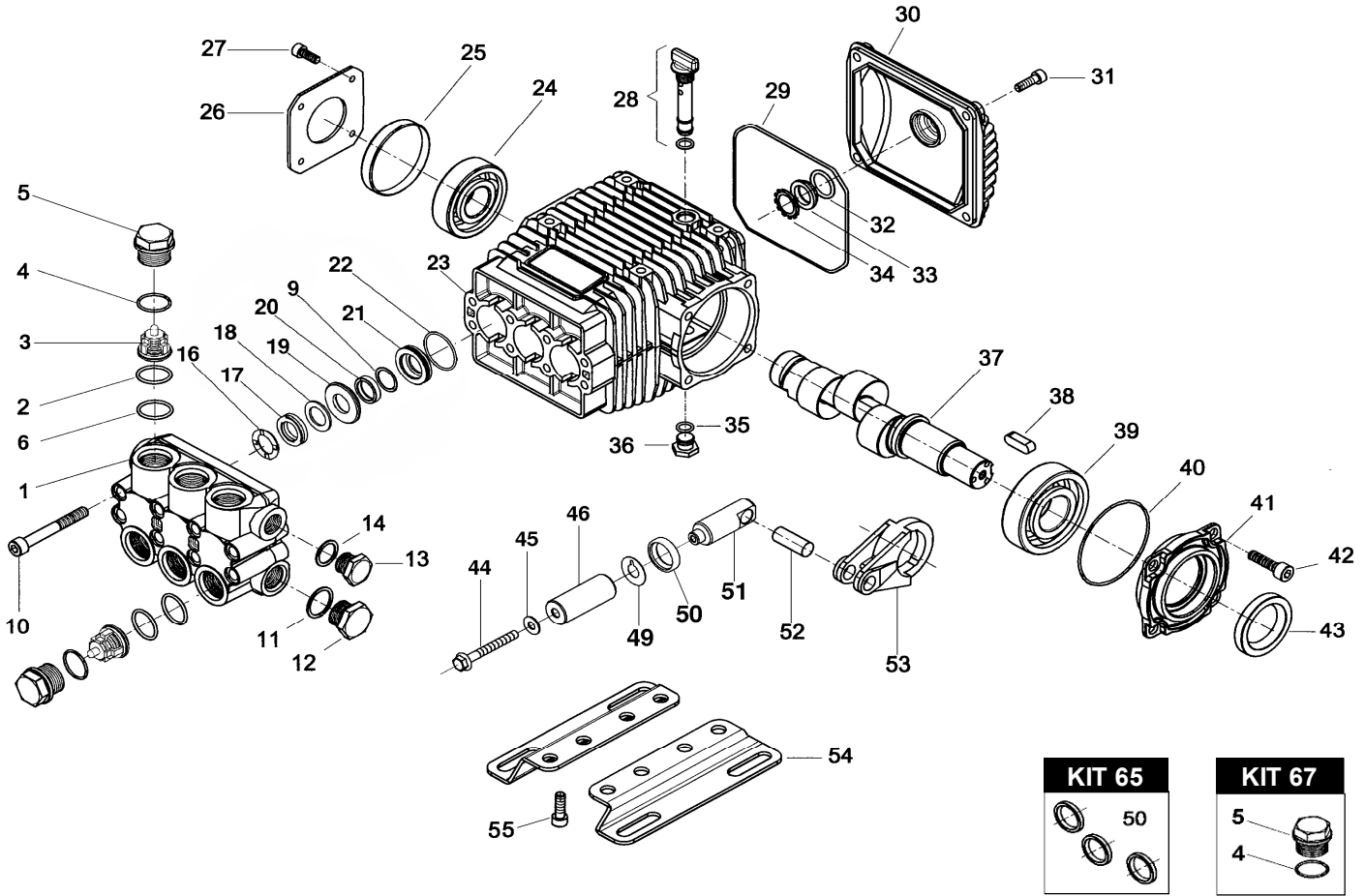


TML HW 2120 - 2420



POS.	CODICE PART NO. RÉF.	DENOMINAZIONE - DESCRIPTION - DESCRIPTION	Q.TY
1	070149282	PUMP HEAD	1
2-kit 249	803095502	O-RING DIA.2X18	6
3-kit 249	069959973	CHECK VALVES	6
4-kit 67	803182802	O-RING DIA.2,62X17,13	6
5	070040532	EX. DEEP SEALING VALVE CAP M27x1,5 (before 1990)	6
5-kit 67	070040282	EX. DEEP SEALING VALVE CAP M27x1,5 (from 1990)	6
6-kit 249	040480542	ANTI EXTRUSION RING DIA.18,4X22X0,8	6
9	803075002	O-RING DIA.1,78x25,12	3
10	862985002	SCREW TCEI M8X70 UNI 5931	8
11	824140002	GASKET FOR COUPLING 21,2X26X1	1
12	852629002	PLUG G 1/2"	1
12	852629532	PLUG G 1/2" BRASS (OPTIONAL)	1
13	852579002	PLUG G 3/8	1
13	852579532	PLUG G 3/8 BRASS (OPTIONAL)	1
14	824109002	COPPER GASKET DIA.17X22X1	1
16-kit 174-175	802066102	SEAL PACKER	3
17-kit 174-175	802066002	PACKING U 20X30	3
18-kit 174-175	802066202	EXTERNAL CHECK RING	3
19-kit 174	070148532	FRONT BRASS GLAND	3
20-kit 174-175	802066502	PACKING 20X26 (PTFE)	3
21-kit 174	070150532	BACK BRASS GLAND	3
22-kit 174-175	803080002	O-RING	3
23	070001092	CRANKCASE	1
24	812730102	ROLLER BEARING	1
25-kit 77	802102002	COVER 62X7 RCA	1
26	050045612	CRANKCASE COVER	1
27	862108002	SCREW M6X16 UNI 5931	4
28	049832973	FILLER PLUG	1
29-kit 77	803210682	O-RING D.2,62X120,32	1
30	040117092	REAR COVER	1

POS.	CODICE PART NO. RÉF.	DENOMINAZIONE - DESCRIPTION - DESCRIPTION	PCS.
31	862168002	GALVANISED SCREW M6X22 UNI 5931	4
32-kit 77	803189002	O-RING DIA.2,62X18,72	1
33	040120322	OIL SIGHT GLASS	1
34	801184002	RING	1
35-kit 77	803057002	O-RING 2037 - 39,34 X 2,62	1
36	852543502	CAP G.1/4 X9 (EX 852542002) (EX 852542002)	1
37/1	070037262	CRANKSHAFT TML 2120 HW	1
37/2	070038262	CRANKSHAFT TML 2420 HW	1
38	806534002	TAB 8X7X35	1
39	812776202	ROLLER BEARING	1
40-kit 77	803080702	O-RING D.1,78X69,57	1
41	070003092	SUPPORT	1
42	862547002	SCREW M8X18	4
43-kit 77	802119002	OIL SEAL 30X52X7	1
44	862401002	SCREW M6X50 DIN 6921	3
45	843620052	WASHER DIA.6,5x15x1	3
46	080070182	CERAMIC PISTON DN20	3
49	843826002	WASHER D.11,3X25X0,5 COPPER	3
50-kit 65-77	802063502	AXIAL RING	3
51	070152512	PLUNGER ROD	3
52	852006282	PISTON PIN	3
53	070005112	CONROD	3
54-optional	040247612	MOUNTING RAIL	2
55-optional	862495002	SCREW M8x16	4
56-optional	079802973	MOUNTING RAIL KIT	1
REPAIR KIT	ITEM NO.s INCLUDED	PCS.	
Kit 65	049837973	SPARE PARTS KIT	3
Kit 67	049839973	SPARE PARTS KIT	12
Kit 77	079808973	SPARE PARTS KIT	9
Kit 249	069956973	SPARE PARTS KIT	18
Kit 174	079839973	SPARE PARTS KIT	24
Kit 175	079840973	SPARE PARTS KIT	18