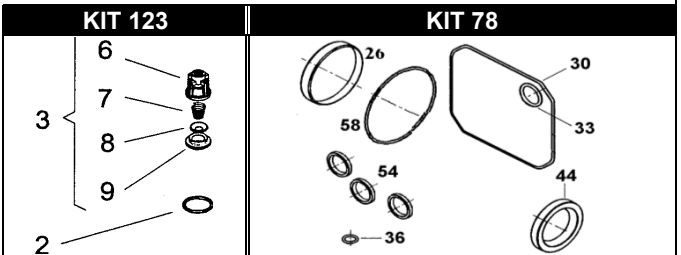
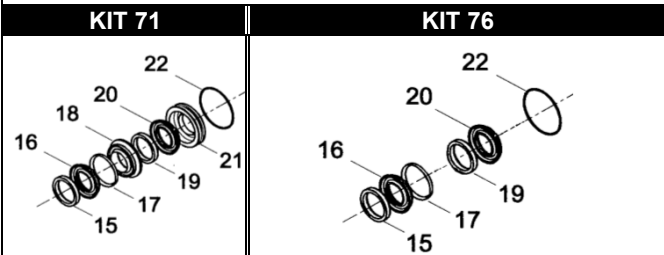
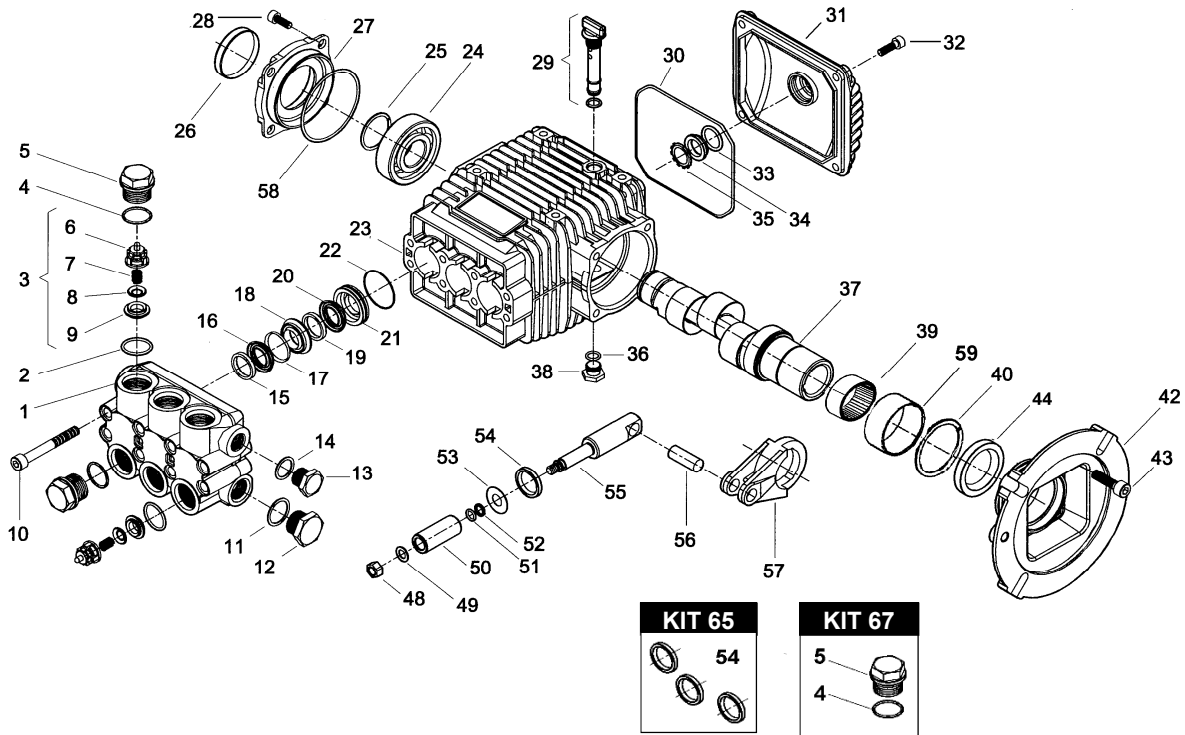


TMC 1520 - 1820 - 2015



POS.	CODICE PART NO. RÉF.	DENOMINAZIONE - DESCRIPTION - DESCRIPTION	Q.TY
1	070181282	PUMP HEAD	1
2-kit 123	803182002	O-RING DIA.2,62X17,13	6
3-kit 123	069846973	CHECK VALVES	6
4-kit 67	803182002	O-RING DIA.2,62X17,13	6
5-kit 67	070040282	EX. DEEP SEALING VALVE CAP M27x1,5	6
6-kit 123	060105322	VALVE CAGE	6
7-kit 123	070048512	VALVE SPRING	6
8-kit 123	060104512	POPPET	6
9-kit 123	060110512	VALVE SEAT	6
10	862985002	SCREW TCEI M8X70 UNI 5931	8
11	824140002	GASKET FOR COUPLING 21,2X26X1	1
12	852629002	PLUG G 1/2"	1
12	852629532	PLUG G 1/2" BRASS (OPTIONAL)	1
13	852579002	PLUG G 3/8	1
13	852579532	PLUG G 3/8 BRASS (OPTIONAL)	1
14	824109002	COPPER GASKET DIA.17X22X1	1
15-kit 71-76	050019322	SEAL PACKER DN 18-28	3
16-kit 71-76	802061002	V PACKING DIA.18-28	3
17-kit 71-76	050221322	EXTERNAL CHECK RING	3
18-kit 71	070013532	FRONT GLAND D.18	3
19-kit 71-76	050019322	SEAL PACKER DN 18-28 (till 02/21)	3
20-kit 71-76	802061002	V PACKING DIA.18-28 (till 02/21)	3
20-kit 71-76	802061202	V PACKING DIA.18-28 (from 03/21)	3
21-kit 71	070014532	REAR GLAND D.18	3
22	803080002	O-RING	3
23	070001092	CRANKCASE	1
24	812776002	BEARING	1
25	801241002	CIRCLIP	1
26	802099602	CAP 52-7	1
27	070003092	SUPPORT	1
28	862547002	SCREW M8X18	4
29	049832973	FILLER PLUG	1
30-kit 78	803210682	O-RING D.2,62X120,32	1
31	040117092	REAR COVER	1

POS.	CODICE PART NO. RÉF.	DENOMINAZIONE - DESCRIPTION - DESCRIPTION	PCS.
32	862168002	GALVANISED SCREW M6X22 UNI 5931	4
33-kit 78	803189002	O-RING DIA.2,62X18,72	1
34	040120322	OIL SIGHT GLASS	1
35	801184002	RING	1
36-kit 78	803057002	O-RING 2037 - 39,34 X 2,62	1
37	070085262	HOLLOW SHAFT TMC 1520	1
37	070086262	HOLLOW SHAFT TMC 1820	1
37	070087262	HOLLOW SHAFT TMC 2015	1
38	852543502	CAP G.1/4 X9	1
39	812916002	NEEDLE BEARING	1
40	801400002	RING D.62 FOR HOLE	1
42	070088092	MOTOR FLANGE	1
43	862168002	GALVANISED SCREW M6X22 UNI 5931	4
44-kit 78	802191002	SHAFT OIL SEAL	1
48	070129512	STAINLESS STEEL NUT M8 UNI 5589	3
49	843692002	WASHER DIA.8,1X14X1	3
50	070008182	CERAMIC PISTON DN18	3
51	803055002	O-RING DIA.1,78X7,76	3
52	803912002	BACKUP RING 2031 DIA.10,8	3
53	843826002	WASHER D.11,3X25X0,5 COPPER	3
54-kit 65-78	802063502	SHAFT OIL SEAL	1
55	070010512	PLUNGER ROD	3
56	852006282	PISTON PIN	3
57	070006092	CONROD	3
58-kit 78	803080702	O-RING D.1,78X69,57	1
59	070046412	BUSHING FOR BEARING	1
REPAIR KIT	ITEM NO.s INCLUDED	PCS.	
kit 65	049837973	SPARE PARTS KIT	3
kit 67	049839973	SPARE PARTS KIT	12
kit 71	079805973	SPARE PARTS KIT	24
kit 76	079807973	SPARE PARTS KIT	18
kit 78	079809973	SPARE PARTS KIT	9
kit 123	069867973	SPARE PARTS KIT	12