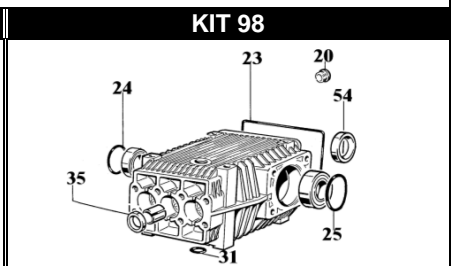
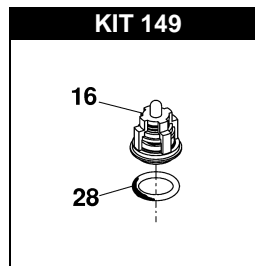
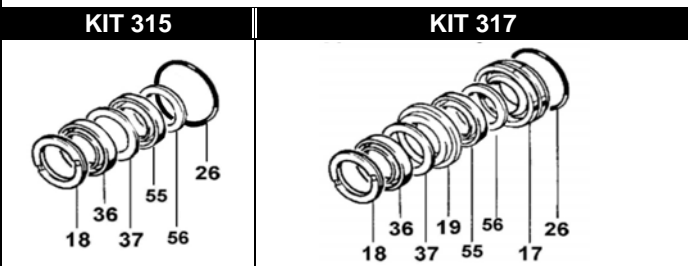
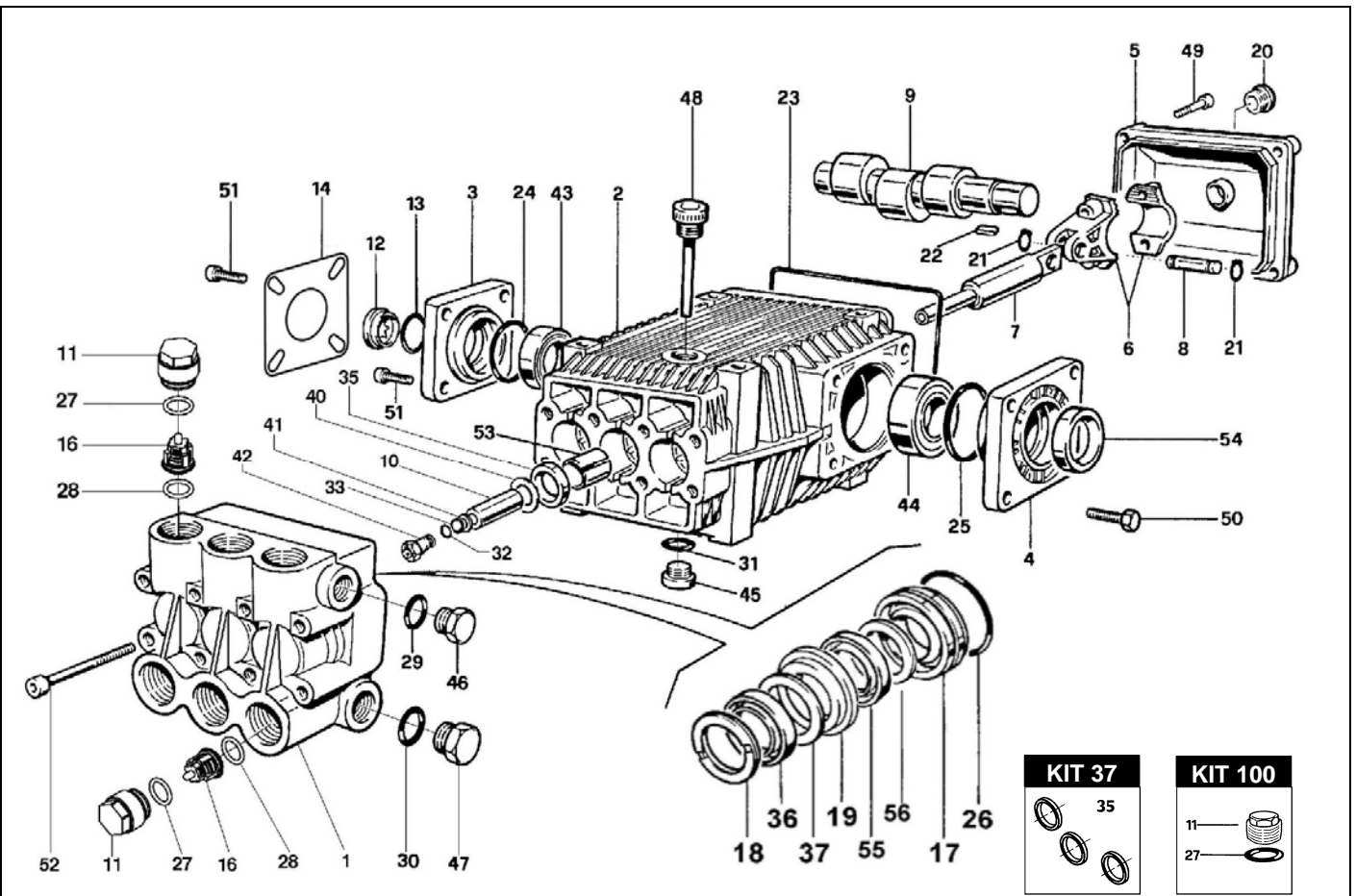


KKL 4220



POS.	CODICE PART NO RÉF.	DENOMINAZIONE - DESCRIPTION - DESCRIPTION	Q.TY
1	060262282	PUMP HEAD	1
2	060151092	PUMPS CRANKCASE	1
3	060260092	BEARING COVER DIA.72	1
4	060017092	BEARING COVER DIA.80 MM	1
5	060006092	CRANKCASE COVER	1
6	069800972	CONNECTING ROD	3
6	862796002	CONNECTING ROD BOLT	6
7	060152512	PLUNGER ROD	3
8	060007492	PISTON PIN DIA. 15 MM	3
9/1	060180262	CRANKSHAFT KKL 4216	1
9/2	060204262	CRANKSHAFT KKL 4816	1
10	080011182	CERAMIC PISTON DIA.25 MM	3
11-kit 100	060095532	VALVE CAP	6
12	060019322	OIL SIGHT GLASS	1
13	803262002	O-RING	1
14	060123612	SHEET FOR OIL SIGHT LOCKING	1
16-kit 149	089807973	VALVES ASSEMBLY	6
17-kit 317	060223532	BACK GLAND DIA.25 MM	3
18-kit 315-317	802092802	THRUST RING DIA.25	3
19-kit 317	060221532	FRONT GLAND	3
20-kit 98	853515502	OIL SIGHT GLASS	1
21	801099002	CIRCLIP DIA. 15	6
22	806534002	TAB 8X7X35	1
23-kit 98	803210902	O-RING DIA.2,62X152	1
24-kit 98	803210552	O-RING DIA.2,62X67,95	1
25-kit 98	803210642	O-RING DIA.2,62X75,87	1
26-kit 315-317	803080202	O-RING DIA.1,78X34,65	3
27-kit 100	803204802	O-RING DIA.2,62X17,13	6
28-kit 149	803204802	O-RING DIA.2,62X17,13	6
29	824140002	GASKET DIA.21x26x1.5	1
30	824230002	GASKET DIA.33x41x1.5	1
31-kit 98	803204802	O-RING DIA.2,62X23,81	1
32	803058002	O-RING DIA.1,78X10,82	3

POS.	CODICE PART NO RÉF.	DENOMINAZIONE - DESCRIPTION - DESCRIPTION	Q.TY
33	803902002	ANTI-EXTRUSION RING	3
35-kit 37-98	802090002	OIL SEAL DIA. 17	3
36-kit 315-317	802092602	"U" PACKING	3
37-kit 315-317	060088322	ANTIEXTRUSION RING	3
40	060138682	WASHER	3
41	843646002	WASHER	3
42	060072002	PISTON BOLT	3
43	812848002	ROLLER BEARING DIA.35X72X17	1
44	812870002	ROLLER BEARING DIA.35X80X21	1
45	852687002	CAP G 3/4	1
46	852629532	PLUG G 1/2 BRASS	1
47	852712532	CAP G 1" BRASS	1
48	060020322	OIL FILLER PLUG WITH DIP STICK	1
49	862216002	BOLT M6X25	4
50	863265002	BOLT M10X25	4
51	862682002	BOLT M 8X25	4
52	863590002	BOLT TCEI M10x80	8
53	804300002	SELF-LUBRIFICATING BUSHING	3
54-kit 98	802143002	OIL SEAL	1
55-kit 315-317	802303102	"U" PACKING DIA.25X33	3
56-kit 315-317	802303202	SCRAPER RING DIA.25	3
REPAIR KIT	ITEM NO.s INCLUDED	PCS.	
kit 37	069814973	SPARE PARTS KIT	3
kit 317	069970973	SPARE PARTS KIT	24
kit 315	069968973	SPARE PARTS KIT	18
kit 98	069842973	SPARE PARTS KIT	9
kit 100	069844973	SPARE PARTS KIT	12
kit 149	089819973	SPARE PARTS KIT	12