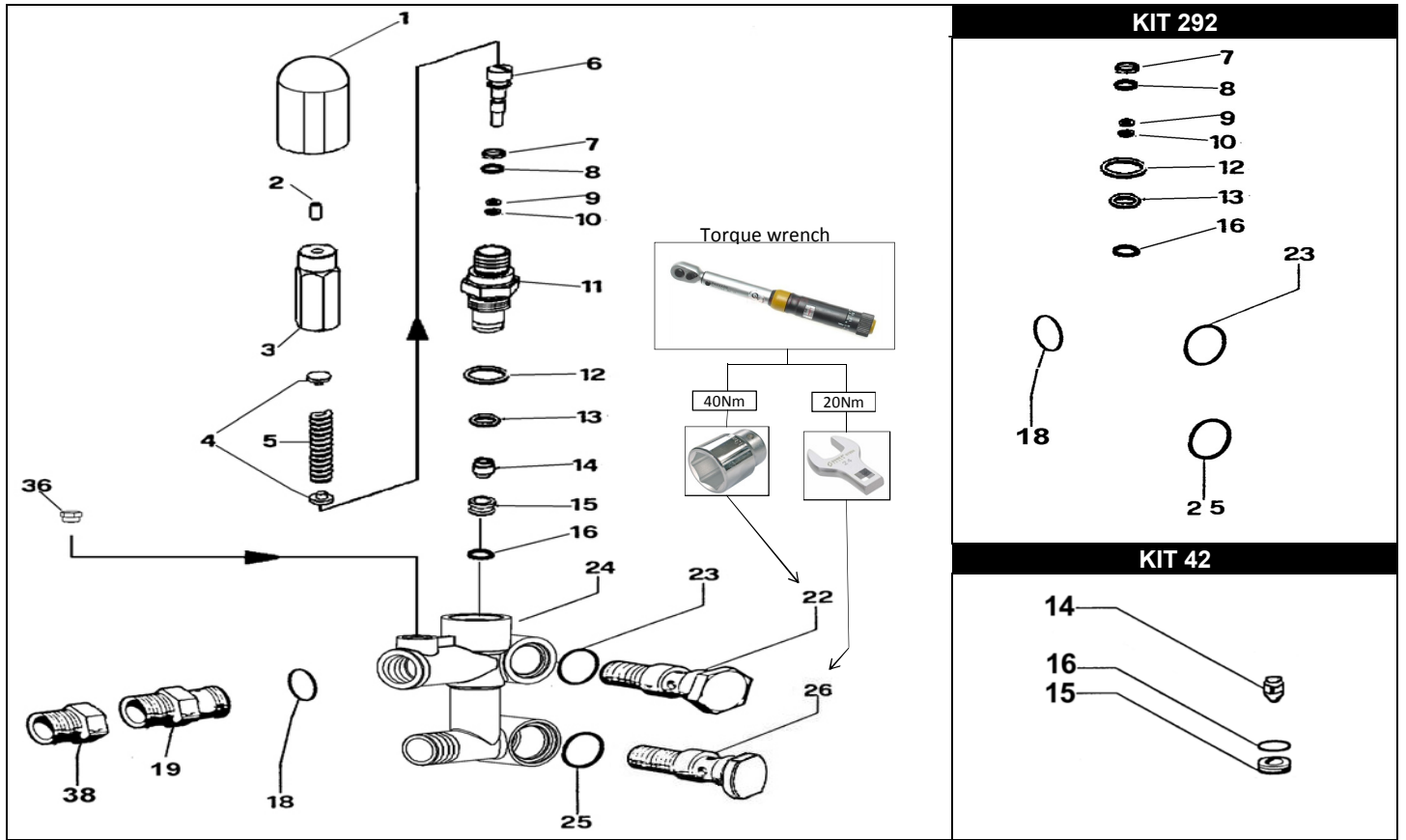


# APR.U 14 (OUT G.3/8" - M22X1,5)



POS.	CODICE PART NO. RÉF.	DENOMINAZIONE - DESCRIPTION - DESCRIPTION	Q.TY	POS.	CODICE PART NO. RÉF.	DENOMINAZIONE - DESCRIPTION - DESCRIPTION	Q.TY
1	050273322	ADJUSTING KNOB	1				
2	862110002	SCREW	1				
3	050269532	LOCKING NUT	1				
4	090058532	WASHER	2				
5	050080492	SPRING	1				
6	050232512	PISTON	1				
7-Kit 292	803912002	ANTIEXTRUSION RING	1				
8-Kit 292	803055502	O-RING	1				
9-Kit 292	803040902	O-RING	1				
10-Kit 292	803901002	ANTIEXTRUSION RING	1				
11	050267532	NIPPLE	1				
12-Kit 292	803181202	O-RING	1				
13-Kit 292	803175002	O-RING	1				
14-Kit 42	050110512	POPPET	1				
15-Kit 42	050068512	SEAT	1				
16-Kit 42-292	803056002	O-RING	1				
18-Kit 292	803010002	O-RING	1				
19	050305532	NIPPLE G.3/8"	1				
22	050157532	HOLLOW BOLT G.3/8 "BRASS" (OUT)	1				
23-Kit 292	803181202	O-RING	2				
24	050293282	PRESSURE REGULATOR BODY	1				
25-Kit 292	803181202	O-RING	2				
26	050156532	HOLLOW BOLT G.3/8 "BRASS" (IN)	1				
30	050283532	HOLLOW BOLT	1				
33	847413002	BALL	1				
34	050290512	SPRING	1				
36	050299532	PLUG M12X1	1				
38	835017502	NIPPLE M22X1,5	1				
				<b>REPAIR KIT</b>			
				<b>ITEM NO,s INCLUDED</b>			<b>PCS.</b>
				kit 42	059889973	KIT RICAMBI	3
				kit 292	059979973	KIT RICAMBI	12