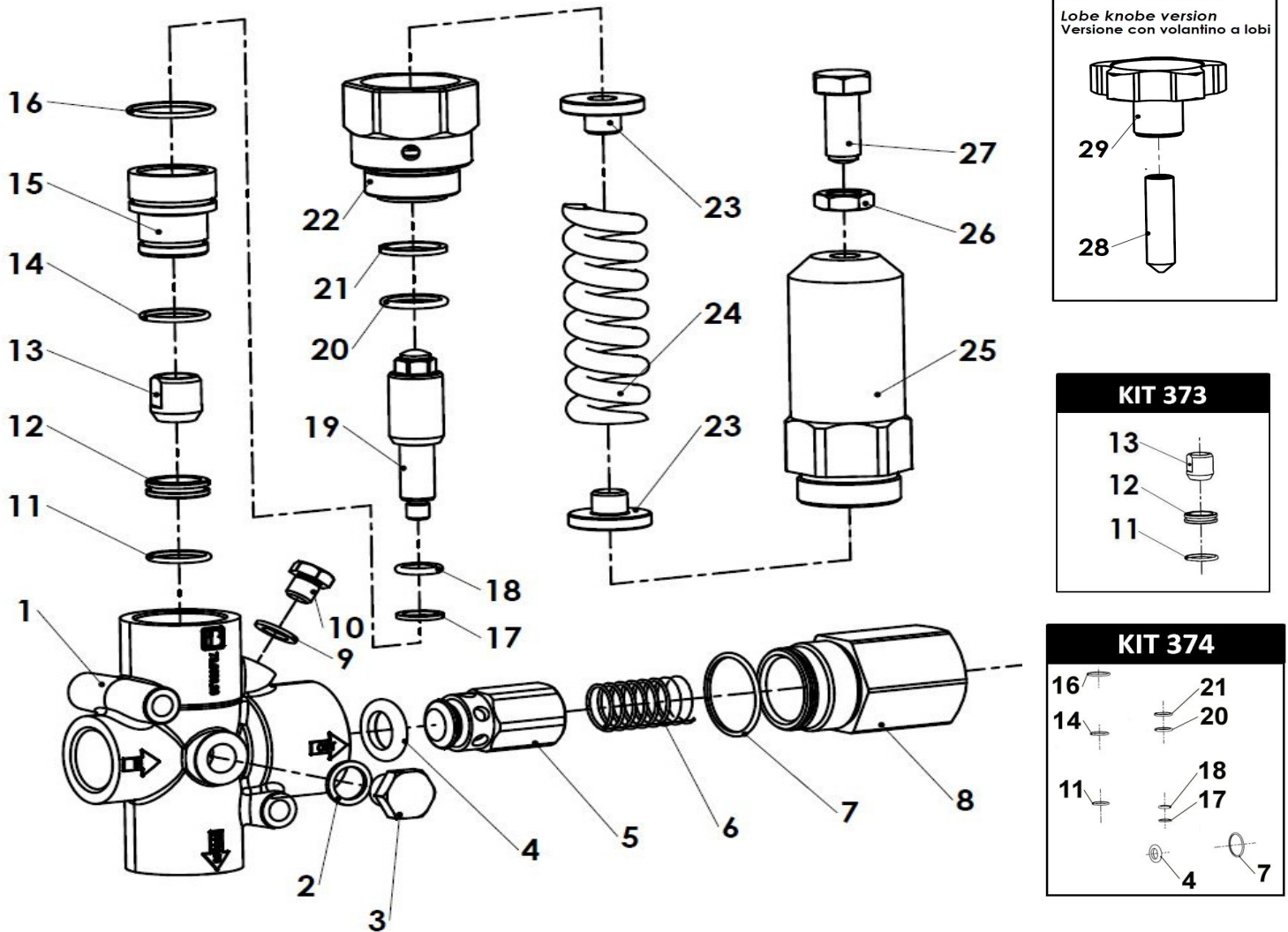


VD 200-250



POS.	CODICE PART NO. REF.	DENOMINAZIONE - DESCRIPTION - DESCRIPTION	Q.TY
1	73.0083.28.2	VALVE BODY	1
2	82.4079.00.2	GASKET D.13,2X17X1	1
3	85.2543.50.2	CAP G.1/4"	1
4-Kit 374	80.3347.00.2	O-RING D. 5,34X13,67	1
5	73.0087.53.2	POPPET	1
6	73.0095.49.2	SPRING D.1,6	1
7-Kit 374	80.3078.10.2	O-RING D. 1,78X29,87	1
8	73.0088.53.2	NIPPLE G.3/4"	1
9	82.4051.00.2	GASKET D.10,5X16X1,5	1
10	08.0411.53.2	CAP G.1/8"	1
11-Kit 373-374	80.3069.10.2	O-RING D. 1,78X18,77	1
12-Kit 373	73.0093.51.2	SEAT	1
13-Kit 373	73.0092.51.2	POPPET	1
14-Kit 374	80.3072.10.2	O-RING D. 1,78X20,35	1
15	73.0086.53.2	BUSH	1
16-Kit 374	80.3076.10.2	O-RING D. 1,78X26,7	1
17-Kit 374	73.0097.32.2	ANTIEXTRUSION RING D.12X16.4X2	1
18-Kit 374	80.3176.50.2	O-RING D. 2,62X11,91	1

POS.	CODICE PART NO. REF.	DENOMINAZIONE - DESCRIPTION - DESCRIPTION	Q.TY
19	73.0091.51.2	PISTON	1
20-Kit 374	80.3189.50.2	O-RING D. 2,62X18,72	1
21-Kit 374	73.0096.32.2	ANTIEXTRUSION RING D.19X23.4X2.5	1
22	73.0085.53.2	NIPPLE	1
23	73.0090.48.2	WASHER	2
24	73.0094.49.2	SPRING D.8	1
25	73.0084.53.2	SPRING COVER	1
26	81.4689.30.2	NUT M12	1
27	73.0089.48.2	SPECIAL BOLT M.12	1
28	86.3960.10.2	GRAB SCREW M12X45 UNI 5927 (VR. LOBE KNOB)	1
29	83.7531.00.2	LOBE KNOB M12 (VR. LOBE KNOB)	1
REPAIR KIT	ITEM NO.s INCLUDED		PCS.
Kit 373	73.9942.97.3	SPARE PARTS KIT	3
Kit 374	73.9943.97.3	SPARE PARTS KIT	9