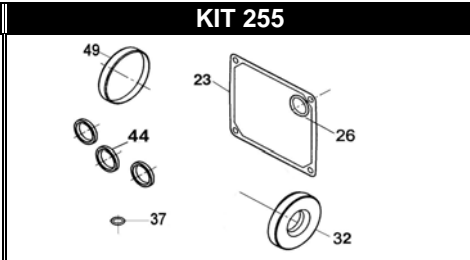
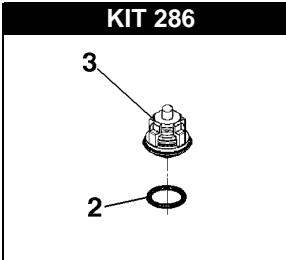
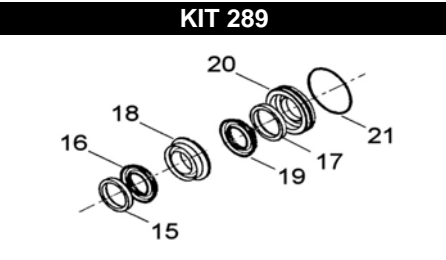
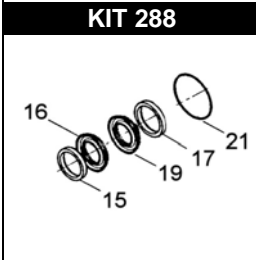
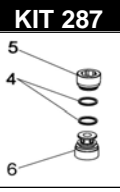
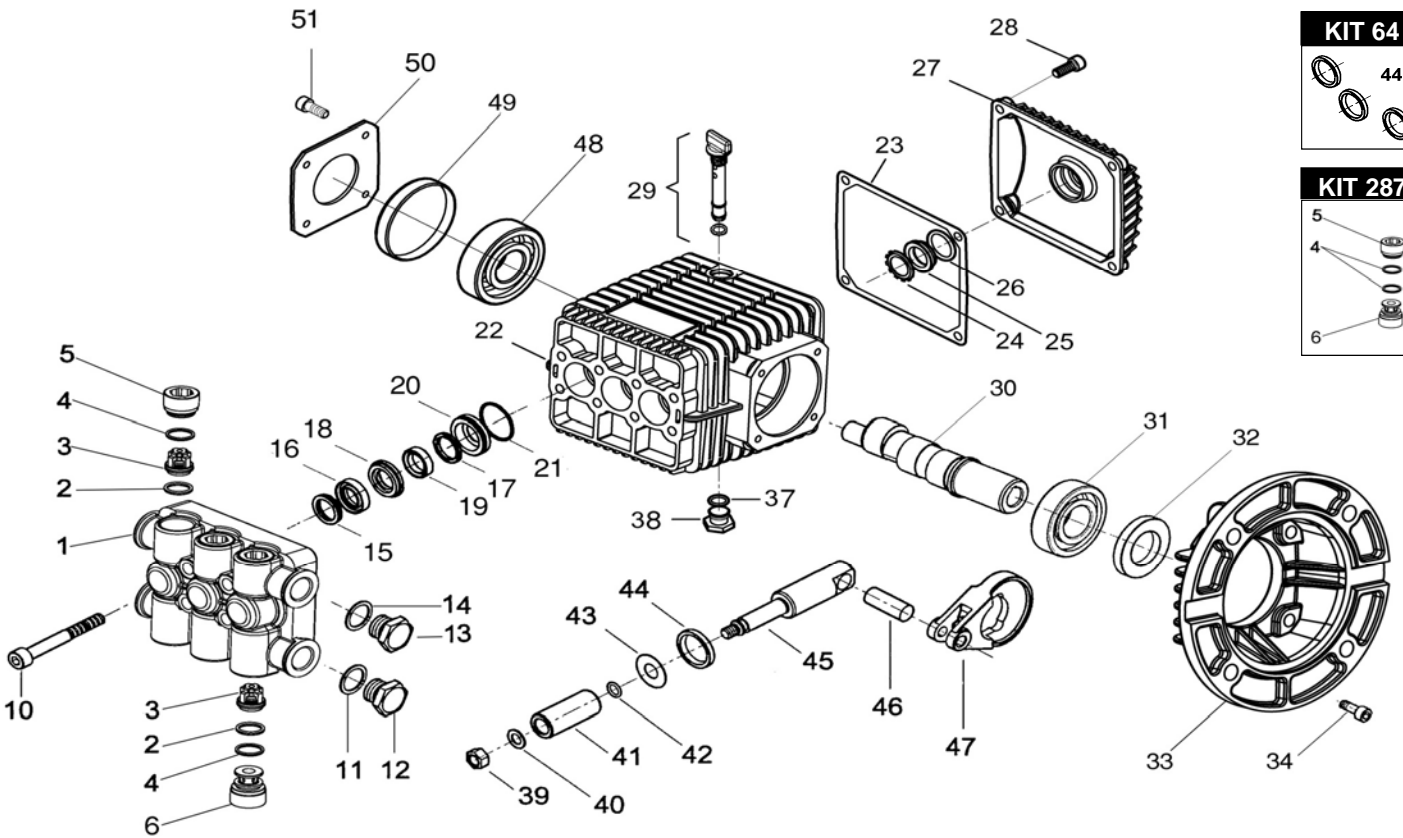


WJC-U 110 - 210 - 410 - 710



POS.	CODICE PART NO. RÉF.	DENOMINAZIONE - DESCRIPTION - DESCRIPTION	Q.TY
1	020142282	PUMP HEAD (D.15)	1
2-kit 286	803061002	O-RING D.1,78X12,42	6
3-kit 286	029832973	CHECK VALVE	6
4-kit 287	803061002	O-RING 1,78X12,42	6
5-kit 287	010102532	VALVE CAP (DISCHARGE LINE)	3
6-kit 287	020143532	VALVE CAP (SUCTION LINE)	3
10	862892002	SCREW M8X50 UNI 5931	4
11	824109002	COPPER GASKET DIA.17X22X1	1
12	852579002	PLUG G 3/8	1
12	852579532	PLUG G 3/8 BRASS (OPTIONAL)	1
13	852579002	PLUG G 3/8	1
13	852579532	PLUG G 3/8 BRASS (OPTIONAL)	1
14	824109002	COPPER GASKET DIA.17X22X1	1
15-kit 288-289	040270322	SEAL SPACER	3
16-kit 288-289	802020002	V PACKING DIA.15-25	3
17-kit 288-289	020151322	SCRAPER RING	3
18-kit 289	020149532	FRONT GLAND DIA.15 MM	3
19-kit 288-289	802034002	U PRESSURE SEAL DIA.15-22	3
20-kit 289	020150532	BACK GLAND DIA.15 MM	3
21-kit 288-289	803073002	O-RING DIA.1,78X23,52	3
22	040367092	CRANKCASE	1
23-kit 255	050050722	CRANKCASE COVER GASKET	1
24	801184002	RING	1
25	040120322	OIL SIGHT GLASS	1
26-kit 255	803189002	O-RING DIA.2,62X18,72	1
27	040106092	REAR COVER	1
28	862166002	SCREW M6X20 UNI5931	4
29	049832973	FILLER PLUG G1/4	1
30/1	040453262	HOLLOW CRANKSHAFT WJC-U 110 IEC 90	1

POS.	CODICE PART NO. RÉF.	DENOMINAZIONE - DESCRIPTION - DESCRIPTION	PCS.
30/2	040418262	HOLLOW CRANKSHAFT WJC-U 210 IEC 90	1
30/3	040444262	HOLLOW CRANKSHAFT WJC-U 410 IEC 90	1
30/4	040447262	HOLLOW CRANKSHAFT WJC-U 710 IEC 90	1
30/5	040500262	HOLLOW CRANKSHAFT WJC-U 110 IEC 80	1
30/6	040498262	HOLLOW CRANKSHAFT WJC-U 210 IEC 80	1
30/7	040499262	HOLLOW CRANKSHAFT WJC-U 410 IEC 80	1
31	812837002	BALL BEARING 35X62X14	1
32-kit 255	802153002	OIL SEAL DIA.35X62X7	1
33/1	040482092	MOTOR FLANGE IEC 90	1
33/2	040483092	MOTOR FLANGE IEC 80	1
34	862261002	SCREW M6X30 UNI5931	4
37-kit 255	803057002	O-RING 1,78X9,25	1
38	852543502	CAP G.1/4 X9	1
39/1	814561002	STAINLESS STEEL NUT M8 (WJC-U 710)	3
39/2	020147512	STAINLESS STEEL NUT M8 (WJC-U 410)	3
39/3	020146512	STAINLESS STEEL NUT M8 (WJC-U 110-210)	3
40	843642902	WASHER DIA.8,1X14X1	3
41	040010182	CERAMIC PISTON DIA.15 MM	3
42	803049002	O-RING DIA.1,78X5,28	3
43	843726002	WASHER DIA.9,1X24X1	3
44-kit 64-255	802035002	OIL SEAL DIA.15X24X5	3
45	040012512	PLUNGER ROD	3
46	852003002	PISTON PIN DIA.8X25	3
47	040115092	CONROD	3
48	812707002	BALL BEARING 25X52X15	1
49-kit 255	802099602	CAP RCA 52-7	1
50	050045612	CRANKCASE COVER	1
51	861955002	SCREW M6X10 UNI 5931	4
REPAIR KIT	PART NO.	DESCRIPTION	PCS.
kit 288	029835973	SPARE PARTS KIT	15
kit 289	029836973	SPARE PARTS KIT	21
kit 286	029833973	SPARE PARTS KIT	12
kit 64	049836973	SPARE PARTS KIT	3
kit 287	029834973	SPARE PARTS KIT	12
kit 255	049987973	SPARE PARTS KIT	8

