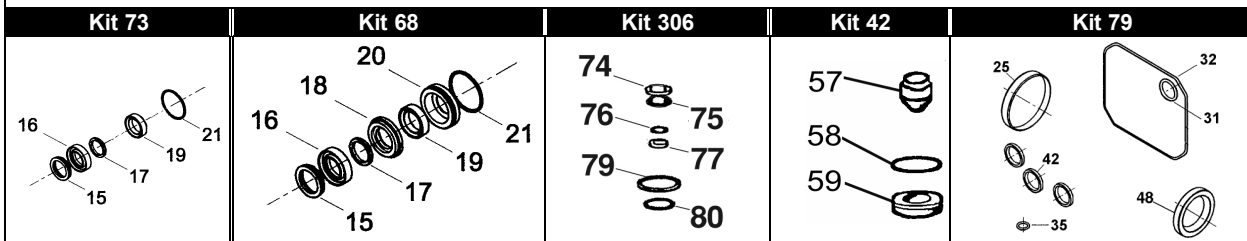
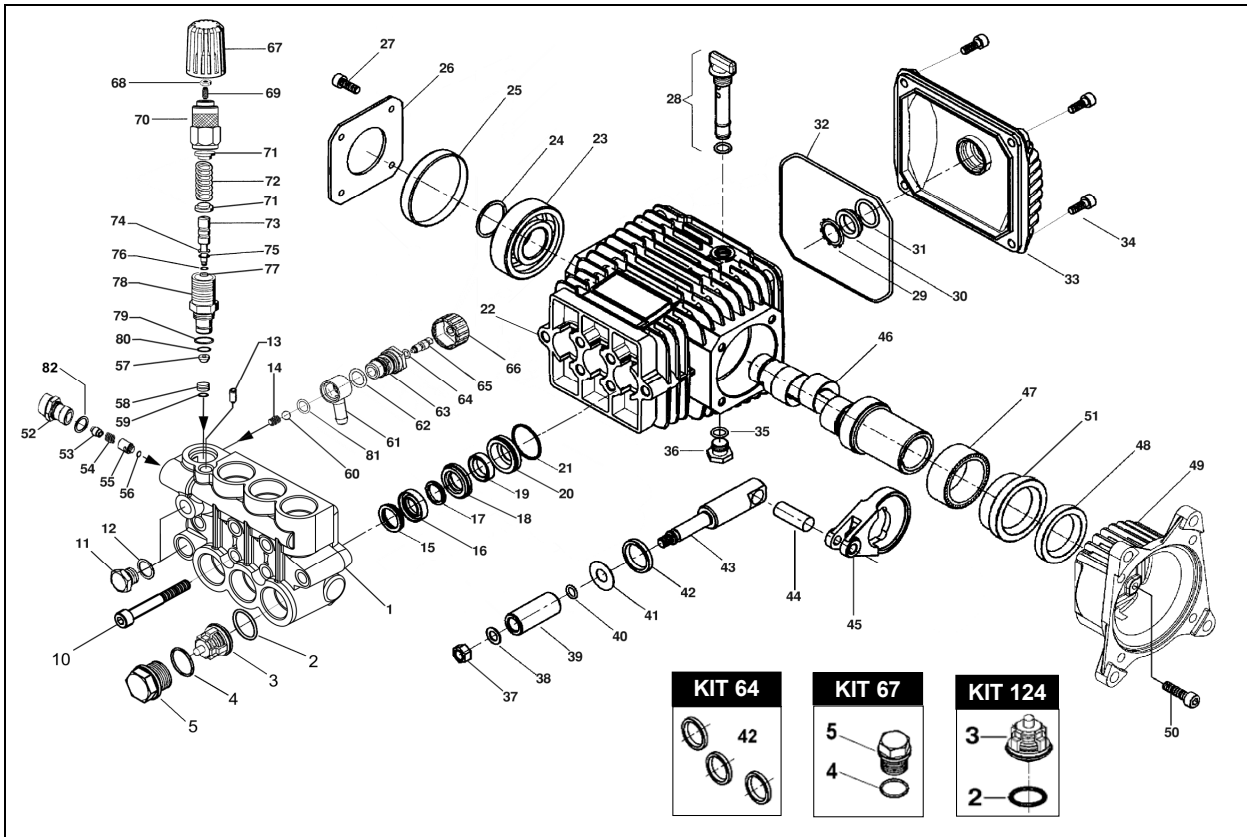


WMG-W 4031- 4037- 4043



POS.	CODICE PART NO. RÉF.	DENOMINAZIONE - DESCRIPTION - DESCRIPTION	Q.TY	POS.	CODICE PART NO. RÉF.	DENOMINAZIONE - DESCRIPTION - DESCRIPTION	Q.TY	
1	040332282	PUMP HEAD	1	47	812878902	BUSHING	1	
2-Kit 124	803182002	O-RING	6	48-Kit 79	802188002	OIL SEAL (BEFORE 08-23)	1	
3-Kit 124	049887973	CHECK VALVES	6	48-Kit 79	802188502	OIL SEAL VITON (FROM 09-23)	1	
4-Kit 67	803182002	O-RING	6	49	070077092	GAS ENGINE FLANGE SAE 1"	1	
5-Kit 67	070040282	EX. DEEP SEALING VALVE CAP M27x1,5	6	50	862216002	BOLT M6X25	4	
6-Kit 124	040114322	VALVE GUIDE	6	51	040328412	BUSHING	1	
10	862945002	BOLT M8X60 UNI 5931	6	52	050307532	NIPPLE G.3/8"	1	
11	852543502	PLUG G 1/4	2	53	050288512	NOZZLE D.2,1	1	
12	824079002	GASKET DIA.13,2x17x1	1	54	050298512	SPRING	1	
13	863110002	SCREW M10X10	1	55	050297532	CHECK POPPET	1	
14	050290512	SPRING	1	56	803049502	O-RING	1	
15-Kit 68-73	040270322	THRUST RING	3	57-Kit 42	050110512	POPPET	1	
16-Kit 68-73	802020002	"V" PACKING D.15	3	58-Kit 42	050068512	SEAT	1	
17-Kit 68-73	040269322	ANTI-EXTRUSION RING	3	59-Kit 42	803056002	O-RING	1	
18-Kit 73	040268532	FRONT GLAND	3	60	847413002	BALL	1	
19-Kit 68-73	802034002	U PRESSURE SEAL DIA.15X22X5,5	3	61	050277322	DETERGENT CONNECTOR	1	
20-Kit 68	040166532	BACK GLAND	3	62	803059002	O-RING	2	
21-Kit 68-73	803073002	O-RING DIA.23,52X1,78	3	63	050283532	HOLLOW BOLT	1	
22	040110092	CRANKCASE	1	64	803040802	O-RING	1	
23	812725002	BALL BEARING RIV 6B 25	1	65	050280532	INJECTOR PIN	1	
24	801185002	SNAP RING	1	66	050276322	INJECTOR KNOB	1	
25-Kit 79	802101002	CAP	1	67	050128322	PRESSURE ADJUSTING KNOB	1	
26	050045612	CRANKCASE COVER	1	68	814545002	NUT M6	1	
27	862108002	BOLT M6X16 UNI 5931	4	69	862140002	SCREW M3X6	1	
28	049832973	OIL FILLER PLUG	1	70	050291532	LOCKING NUT	1	
29	801184002	SNAP RING	1	71	050111482	WASHER	2	
30	040120322	OIL SIGHT GLASS	1	72	050121492	SPRING	1	
31-Kit 79	803189002	O-RING DIA.2,62X18,72	1	73	050099512	PISTON	1	
32-Kit 79	803210682	O-RING D.2,62X120,32	1	74-Kit 306	050113322	ANTIEXTRUSION RING	2	
33	040117092	REAR COVER	1	75-Kit 306	803165502	O-RING	2	
34	862168002	GALVANISED BOLT M6X22 UNI 5931	4	76-Kit 306	803050502	O-RING	1	
35-Kit 79	803057002	O-RING 2037 - 39,34 X 2,62	1	77-Kit 306	050112322	ANTIEXTRUSION RING	1	
36	852543502	CAP G.1/4 X9	1	78	050095532	NIPPLE	1	
37	814561002	NUT	3	79-Kit 306	803181202	O-RING	1	
38	843642902	WASHER DIA.8,1X14X1	3	80-Kit 306	803175002	O-RING	1	
39	040010182	CERAMIC PISTON DIA.15 MM.	3	81	803043002	O-RING	1	
40	803049002	O-RING DIA.1,78X5,28	3	82	803010002	O-RING	1	
41	843726002	WASHER DIA.9,1X24X1	3					
42-Kit 64-79	802035002	OIL SEAL DIA.15X24X5	3	REPAIR Kit			ITEM NO.s INCLUDED	PCS.
43	040107512	PLUNGER ROD	3	Kit 42	059889973	SPARE PARTS Kit	3	
44	852003002	PISTON PIN DIA.8X25	3	Kit 64	049836973	SPARE PARTS Kit	3	
45	040116112	BRONZE CONROD	3	Kit 67	049839973	SPARE PARTS Kit	12	
46/1	040324262	HOLLOW SHAFT WMG-W 4031	1	Kit 68	049840973	SPARE PARTS Kit	21	
46/2	040325262	HOLLOW SHAFT WMG-W 4037	1	Kit 73	049843973	SPARE PARTS Kit	15	
46/3	040327262	HOLLOW SHAFT WMG-W 4043	1	Kit 79	049842973	SPARE PARTS Kit	8	
				Kit 124	049890973	SPARE PARTS Kit	12	
				Kit 306	049991973	SPARE PARTS Kit	8	