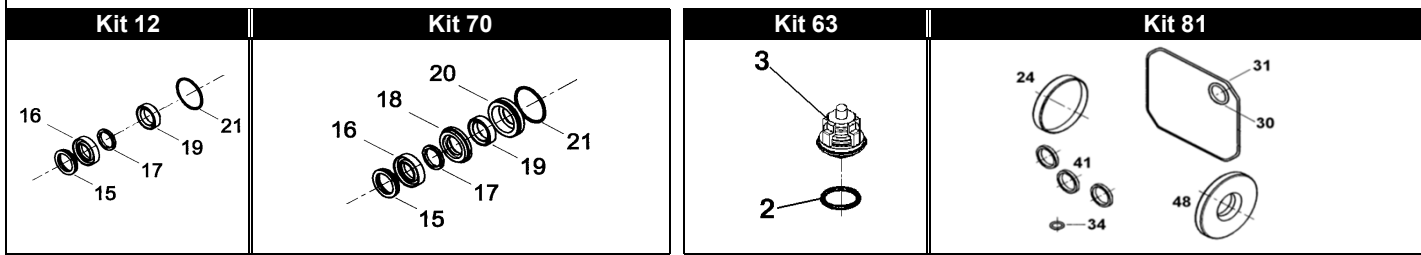
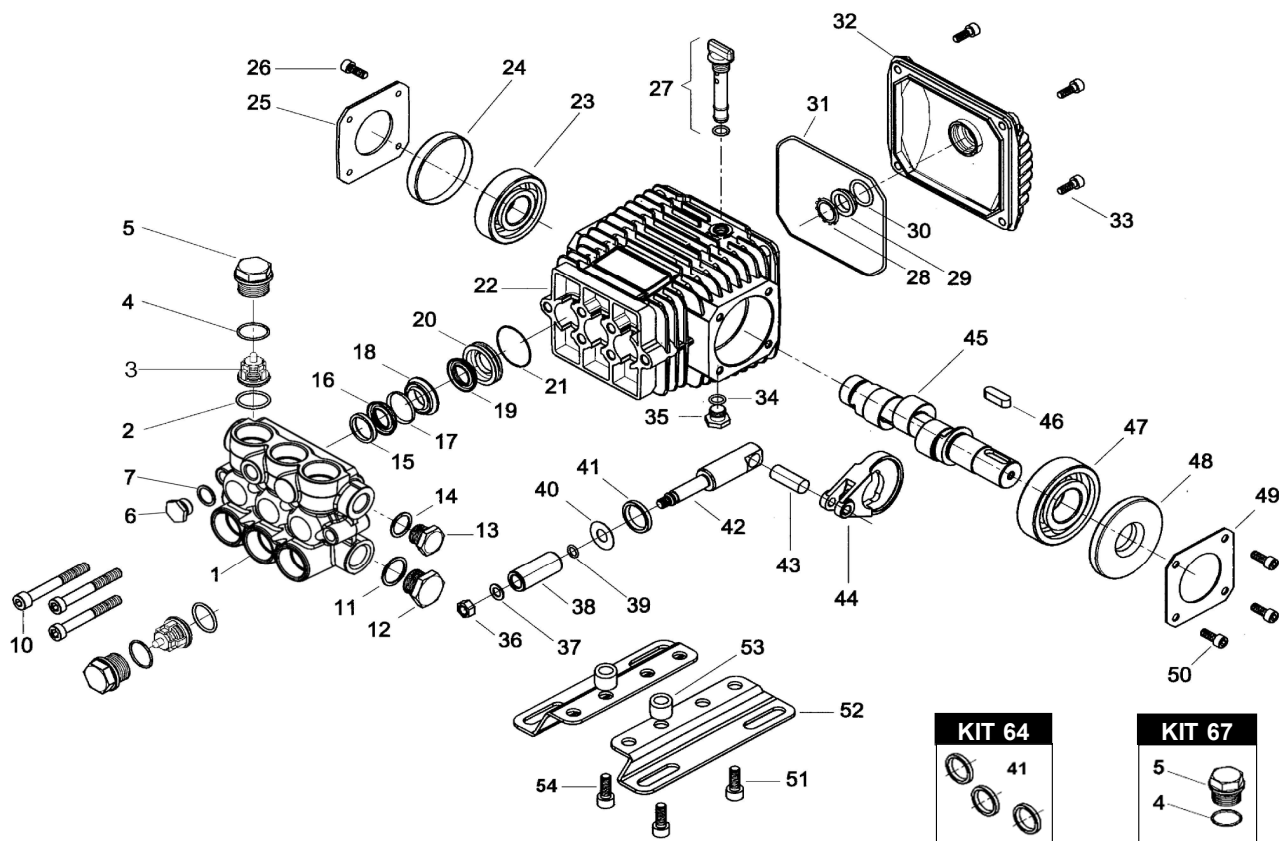


WML 1013-1117-1214-1217-1316-1317-1515-1520-1520B

WMS 2530-2035-2535-2040-2540-2545



POS.	CODICE PART NO. REF.	DENOMINAZIONE - DESCRIPTION - DESCRIPTION	Q.TY	POS.	CODICE PART NO. REF.	DENOMINAZIONE - DESCRIPTION - DESCRIPTION	Q.TY
1	040472282	PUMP HEAD DIA.18 MM (FROM 18/04/2011)	1	33	862168002	GALVANISED BOLT M6X22 UNI 5931	4
1	040118282	PUMP HEAD DIA.18 MM (BEFORE 18/04/2011)	1	34-Kit 81	803057002	O-RING 2037 - 39,34 X 2,62	1
2-Kit 63	803182002	O-RING DIA.2,62X17,13	6	35	852543502	CAP G.1/4 X9	1
3-Kit 63	049824973	VALVES ASSEMBLY	6	36	814561002	NUT	3
4-Kit 67	803182002	O-RING DIA.2,62X17,13	6	37	843642902	WASHER DIA.8,1X14X1	3
5-Kit 67	070040282	EX. DEEP SEALING VALVE CAP M27x1,5	6	38	050010182	CERAMIC PISTON DIA.18 MM	3
6	852543502	CAP G.1/4" (FROM 18/04/2011)	1	39	803049002	O-RING DIA.1,78X5,28	3
7	824079002	COPPER WASHER (FROM 18/04/2011)	1	40	843726002	WASHER DIA.9,1X24X1	3
10	862892002	BOLT M8X50 UNI 5931 (FROM 18/04/2011)	6	41-Kit 64-81	802035002	OIL SEAL DIA.15X24X5	3
10	862945002	BOLT M8X60 UNI 5931 (BEFORE 18/04/2011)	6	42	040107512	PLUNGER ROD	3
11	824140002	GASKET	1	43	852003002	PISTON PIN DIA.8X25	3
12	852629002	PLUG G 1/2	1	44	040115092	CONROD	3
12	852629532	PLUG G 1/2 BRASS (OPTIONAL)	1	44	040116112	CONROD 1520B	3
13	852579002	PLUG G 3/8	1	45/1	040437262	CRANKSHAFT WML 1117	1
13	852579532	PLUG G 3/8 BRASS (OPTIONAL)	1	45/2	040438262	CRANKSHAFT WML 1214-1217-WMS2035-2535	1
14	824109002	GASKET DIA.17X22X1	1	45/3	040439262	CRANKSHAFT WML 1316-1317	1
15-Kit 70-12	050019322	THRUST RING	3	45/4	040440262	CRANKSHAFT WML 1515-2545	1
16-Kit 70-12	802061002	V PACKING DIA.18X28X5,5	3	45/5	040436262	CRANKSHAFT WMS 2530-WML1013	1
17-Kit 70-12	050221322	ANTI-EXTRUSION RING	3	45/6	040439262	CRANKSHAFT WMS 2040-2540	1
18-Kit 70	050223532	FRONT GLAND DIA.18 MM	3	46	806534002	TAB 8X7X25	1
19-Kit 70-12	802043002	U PRESSURE SEAL DIA.18X24X4	3	47	812725002	BALL BEARING	1
20-Kit 70	040165532	REAR GLAND	3	48-Kit 81	802100002	OIL SEAL 25X62X10	1
21-Kit 70-12	803073002	O-RING DIA.23,52X1,78	3	49	050045612	CRANKCASE COVER	1
22	040110092	CRANKCASE	1	50	862108002	BOLT M6X16 UNI 5931	4
23	812725002	BALL BEARING	1	51-optional	862495002	BOLT M8x16	2
24-Kit 81	802101002	CAP	1	52-optional	040247612	MOUNTING RAIL	2
25	050045612	CRANKCASE COVER	1	53-optional	040266612	SPACER	2
26	862108002	BOLT M6X16 UNI 5931	4	54-optional	862627002	BOLT M8X22	2
27	049832973	OIL FILLER PLUG	1	55-optional	049833973	MOUNTING RAILS Kit	1
28	801184002	CIRCLIP	1				
29	040120322	OIL SIGHT GLASS	1				
30-Kit 81	803189002	O-RING DIA.2,62X18,72	1				
31-Kit 81	803210682	O-RING D.2,62X120,32	1				
32	040117092	REAR COVER	1				
				REPAIR Kit		ITEM NO,s INCLUDED	PCS.
				Kit 12	049813973	SPARE PARTS Kit	15
				Kit 63	049835973	SPARE PARTS Kit	12
				Kit 64	049836973	SPARE PARTS Kit	3
				Kit 67	049839973	SPARE PARTS Kit	12
				Kit 70	049841973	SPARE PARTS Kit	21
				Kit 81	049845973	SPARE PARTS Kit	8